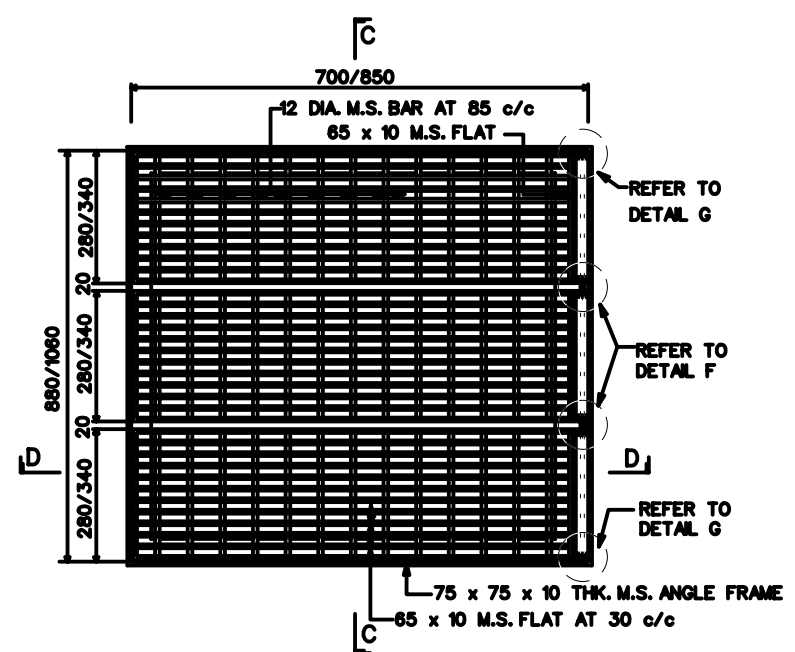
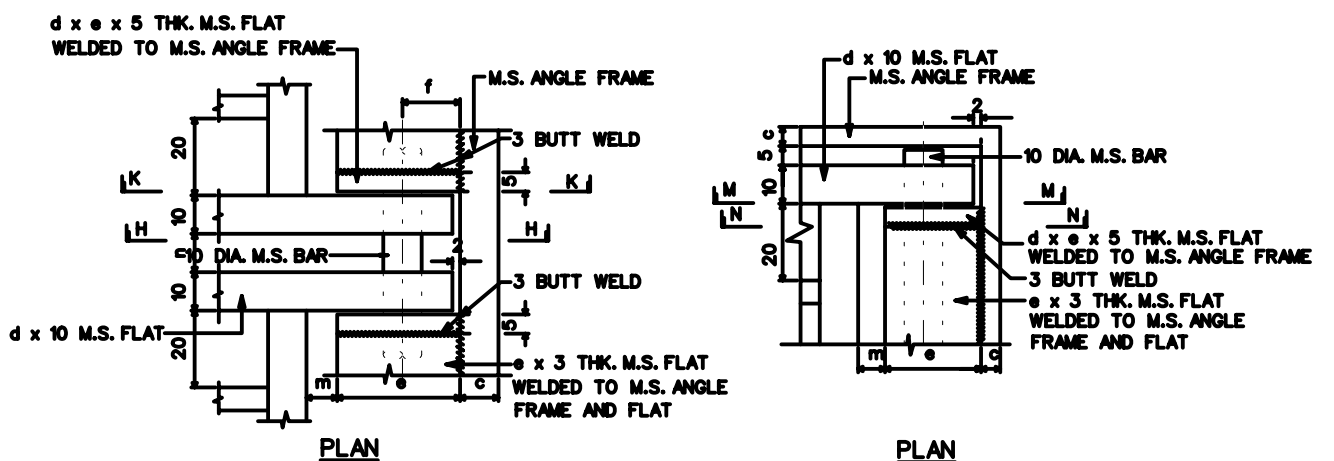


DETAILS OF M.S. GALVANISED PEDESTRIAN GRATING
SCALE 1:10

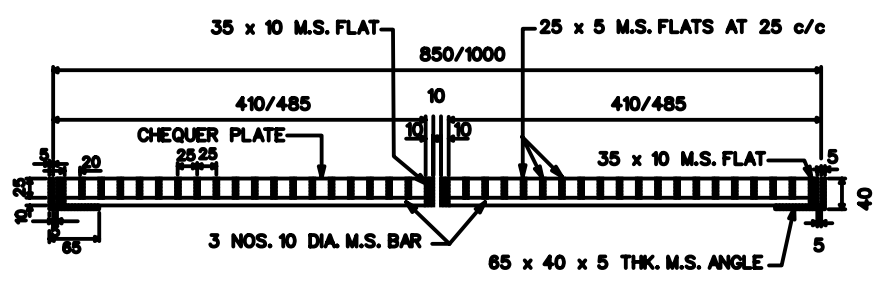


DETAILS OF M.S. GALVANISED VEHICULAR GRATING
SCALE 1:10

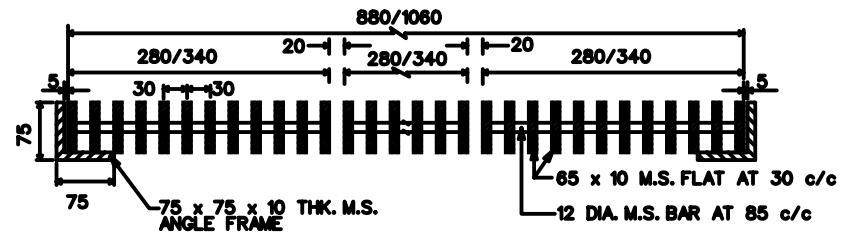


SECTION H-H
SCALE 1:1

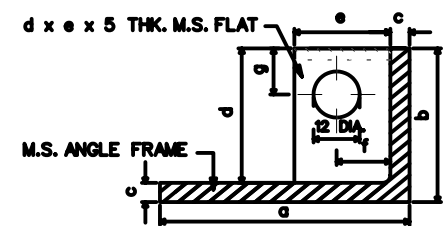
SECTION M-M
SCALE 1:1



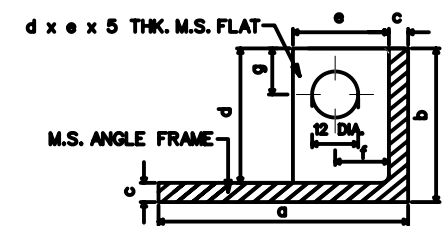
SECTION A-A
SCALE 1:5



SECTION C-C
SCALE 1:5

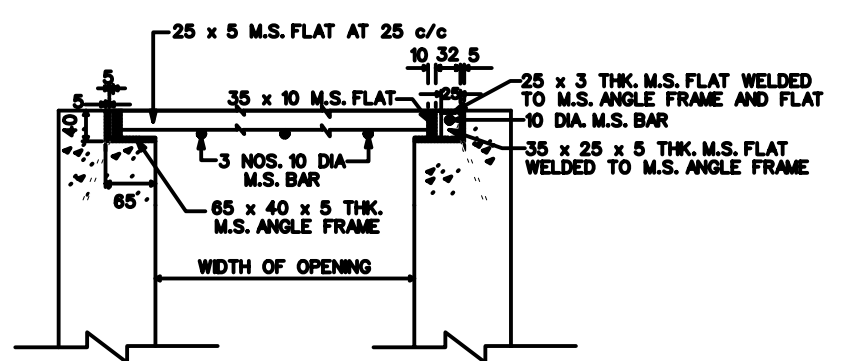


SECTION K-K
DETAIL F
SCALE 1:1

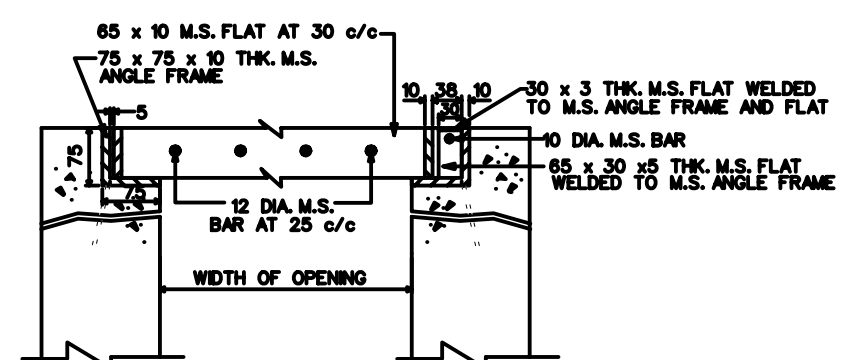


SECTION N-N
DETAIL G
SCALE 1:1

(REFER TABLE A FOR DIMENSION SHOWN IN ALPHABET)



SECTION B-B
SCALE 1:1



SECTION D-D
SCALE 1:1

ITEM	M.S. PEDESTRIAN GRATING	M.S. VEHICULAR GRATING
a	65	75
b	40	75
c	5	10
d	35	65
e	25	30
f	14	16
g	12	14

ITEM	M.S. PEDESTRIAN GRATING	M.S. VEHICULAR GRATING
h	30	36
k	12	14
m	7	8
n	10	20
R1	23	28
R2	12	14

TABLE A

- NOTES**
- ALL DIMENSIONS SHOWN ARE IN MILLIMETRES UNLESS OTHERWISE STATED.
 - GRATINGS AND FRAMES ARE TO BE SHOP FABRICATED AND ALL WELD SLAGS REMOVED.
 - THE COMPLETE ASSEMBLY EXCEPT FISHTAILS IS TO BE GALVANISED BY HOT-DIP GALVANISING PROCESS IN ACCORDANCE WITH SS117.
 - FISHTAIL IS TO BE WELDED TO M.S. ANGLE AND PLACED AT ALL CORNERS OF THE M.S. FRAME.
 - ALL THE FLATS AND ANGLES ARE TO BE FILLET WELDED THROUGHOUT UNLESS OTHERWISE STATED.
 - THE M.S. PEDESTRIAN GRATING CONSISTS OF TWO PANELS WHILE THE M.S. VEHICULAR GRATING CONSISTS OF THREE PANELS.
 - ALTHOUGH THE M.S. GRATINGS ARE DESIGNED REMAIN IN ITS POSITION WHEN OPENED, ADEQUATE MEASURES SHOULD NONETHELESS BE TAKEN TO PREVENT IT FROM ACCIDENTALLY CLOSING WHEN IT IS IN THE OPENED POSITION.
 - ALL GALVANISING TO BE HOT DIPPED GALVANISED COATING CONFORMING TO S.S. 117

REVISION B	
1) CHANGE OF DEPARTMENT NAME AND PUB LOGO 2) CHANGE DRAWING NO. PUB/D/157A/01 TO PUB/BS/D/157B/01	
PREPARED BY : POON S. H. Asst. Director	APPROVED BY : ONG-CHUA S. E. Dy. Director
 BEST SOURCING DEPARTMENT	
DRAWING TITLE STANDARD DRAWING FOR DRAINAGE WORKS	
PROJECT TITLE -	
DRAWING TITLE STANDARD DETAILS OF M.S. HINGED GRATINGS	
SCALE : AS SHOWN	
APPROVED BY : DIRECTOR	YAP K. G. SIGNED 28-6-01
CHECKED BY : CHIEF ENGINEER	ONG-CHUA S. E. SIGNED 28-6-01
CHECKED BY : Dy. CHIEF ENGINEER	CHIA B. H. SIGNED 28-6-01
PREPARED BY : TSO GRADE II	TAN H. S. SIGNED 28-6-01
DRAWN BY : TSO GRADE VII	KHIN S. Y. SIGNED 28-6-01
FILENAME : BSD157b_01.DGN	ARCHIVED REF : PUB_STD
DRAWING NO.	KOH G. L.
PUB/BS/D/157B/01	