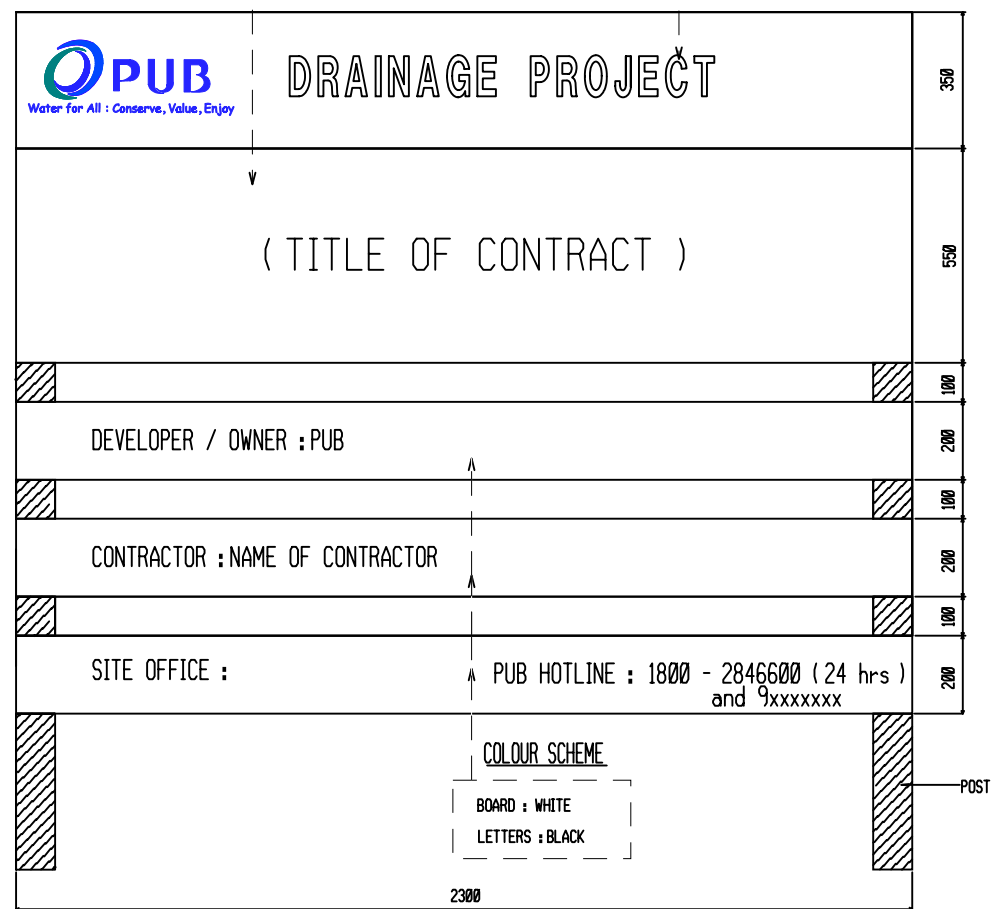


COLOUR SCHEME

BOARD : WHITE
LETTERS : BLACK

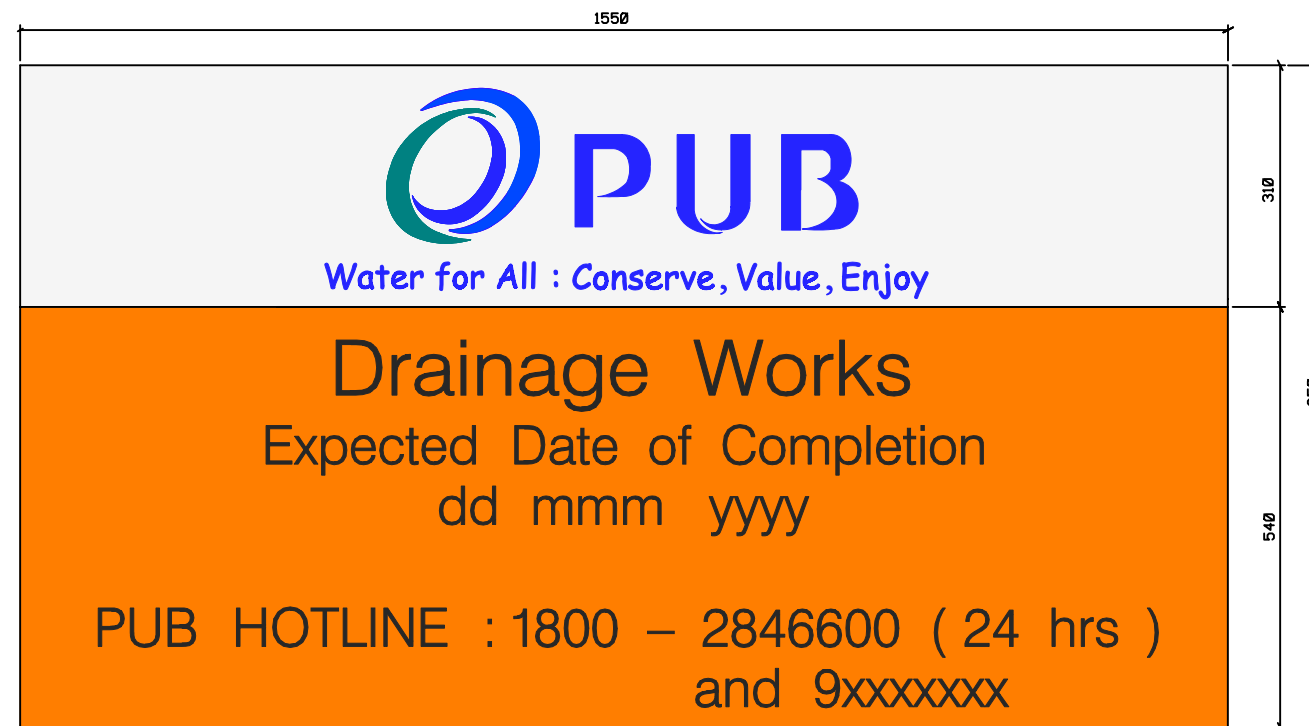
COLOUR SCHEME

BOARD : WHITE
LETTERS : BLUE
LOGOGRAM : SEE DETAILS OF LOGO



SIZE OF LETTERING	HEIGHT
1. DRAINAGE PROJECT	200mm
2. TITLE OF CONTRACT	80mm
3. DEVELOPER / OWNER	50mm
4. CONTRACTOR'S NAME	50mm
5. SITE OFFICE (location)	50mm
6. PUB HOTLINE	50mm

NOTE : ALL WORDS SHALL BE IN ENGLISH ONLY

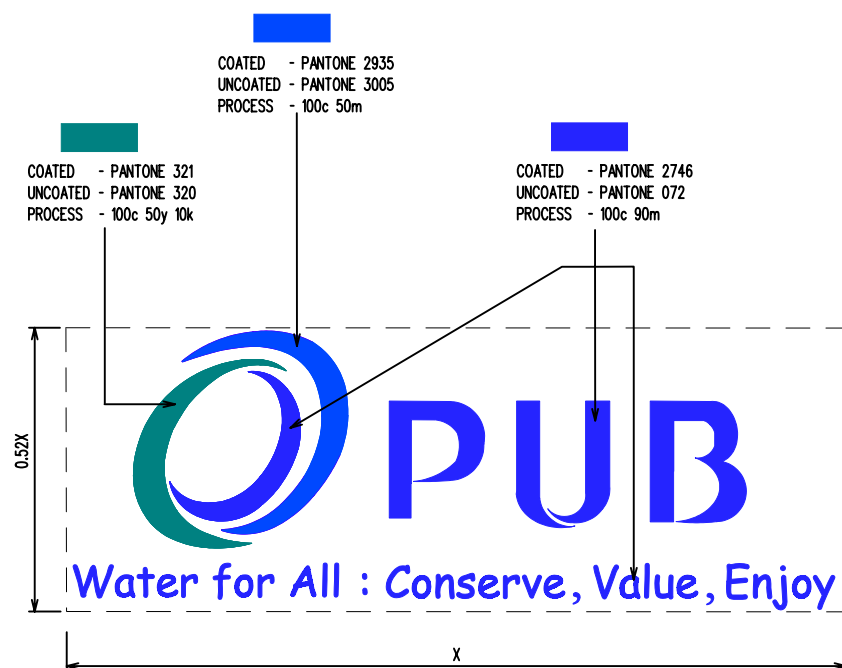


WORKS INFORMATION PLATE

SCALE 1 : 5

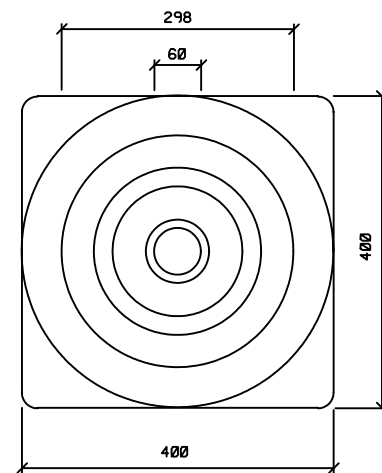
PROJECT SIGNBOARD

SCALE 1 : 10

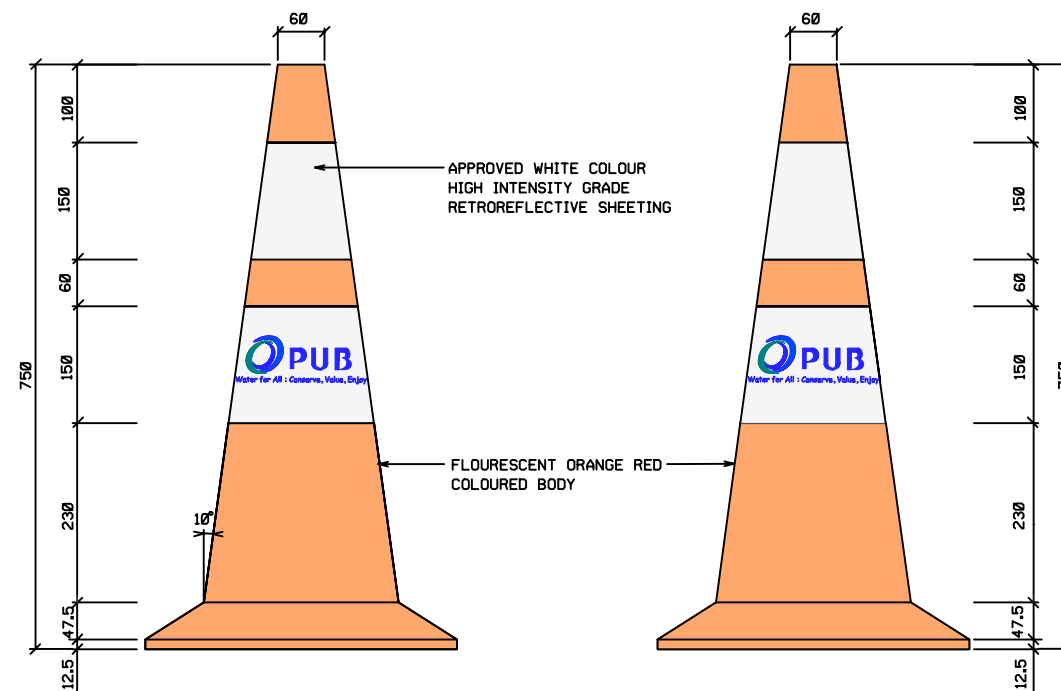


DETAILS OF LOGO

N. T. S.



PLAN



FRONT ELEVATION

SIDE ELEVATION

TRAFFIC CONE

LOGO COLOUR : SEE DETAILS OF LOGO

SCALE 1 : 5

Note :

General arrangement and location of all traffic warning signs etc shall be strictly in accordance with this Drawing and the current edition of the Code of Practice for Temporary Traffic Control, issued by the Land Transport Authority

REVISION	D
1	CHANGE PUB LOGO WITH TAGLINE
2	REPLACE "BEST SOURCING DEPARTMENT" TO "DRAINAGE PROJECT" AT THE PROJECT SIGNBOARD
3	CHANGE WORKS INFORMATION PLATE
4	CHANGE DRAWING NO. PUB/D/159C/01 TO PUB/BS/D/159D/01

PREPARED BY :	APPROVED BY :
POON S. H. Asst. Director	GANAYATHARAN Dy. Director



SCHEME
STANDARD DRAWING FOR DRAINAGE WORKS

PROJECT TITLE
-

DRAWING TITLE
PROJECT SIGNBOARD AND TEMPORARY TRAFFIC WARNING SIGN

APPROVED BY DIRECTOR	YAP K. G.	SIGNED	11-11-03
CHECKED BY	CHIEF ENGINEER ONG-CHUA S. E.	SIGNED	11-11-03
CHECKED BY	Dy. CHIEF ENGINEER CHIA B. H.	SIGNED	11-11-03
PREPARED BY	TSO GRADE II TAN H. S.	SIGNED	11-11-03
DRAWN BY	TSO GRADE VII KHIN S. Y.	SIGNED	11-11-03
FILENAME : BSD159C_01.DGN	ARCHIVED REF : PUB_STD	ARCHIVED BY :	KOH G. L.

DRAWING NO.
PUB/BS/D/159D/01