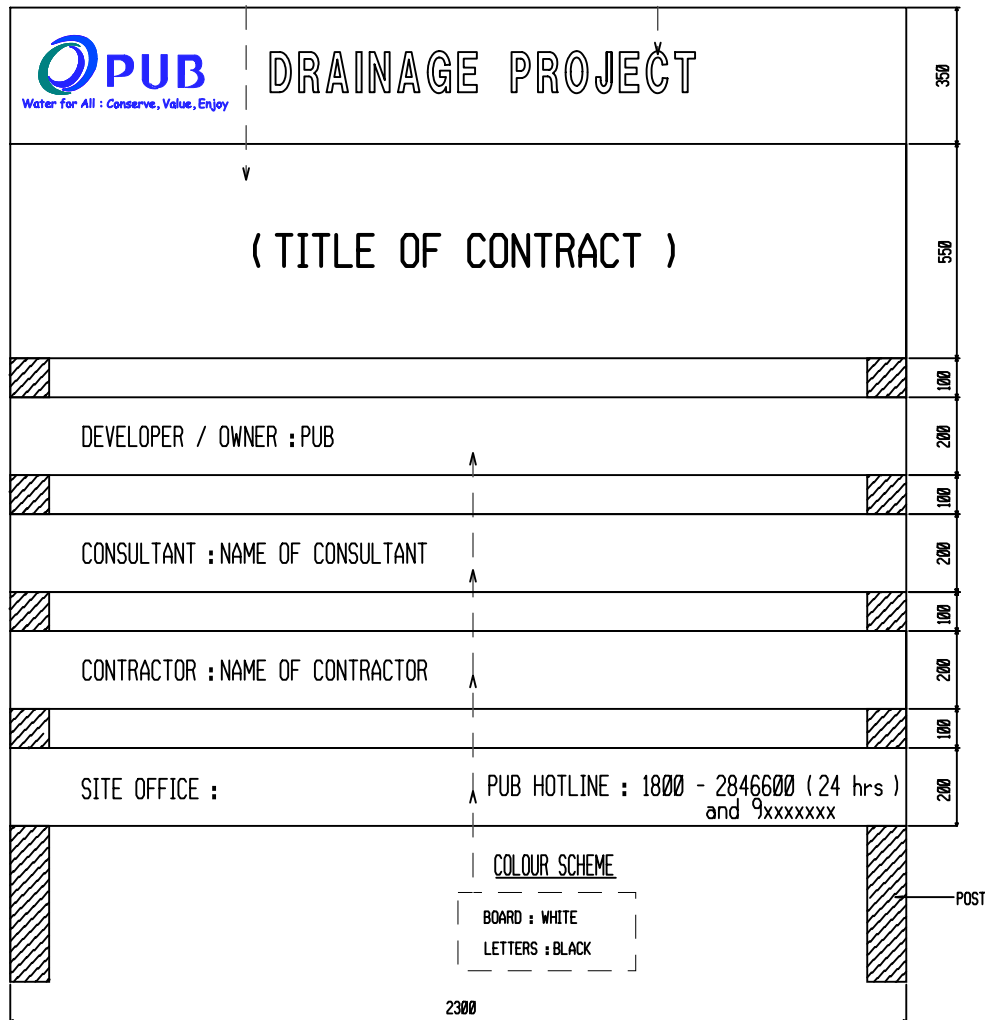


COLOUR SCHEME

BOARD : WHITE
LETTERS : BLACK

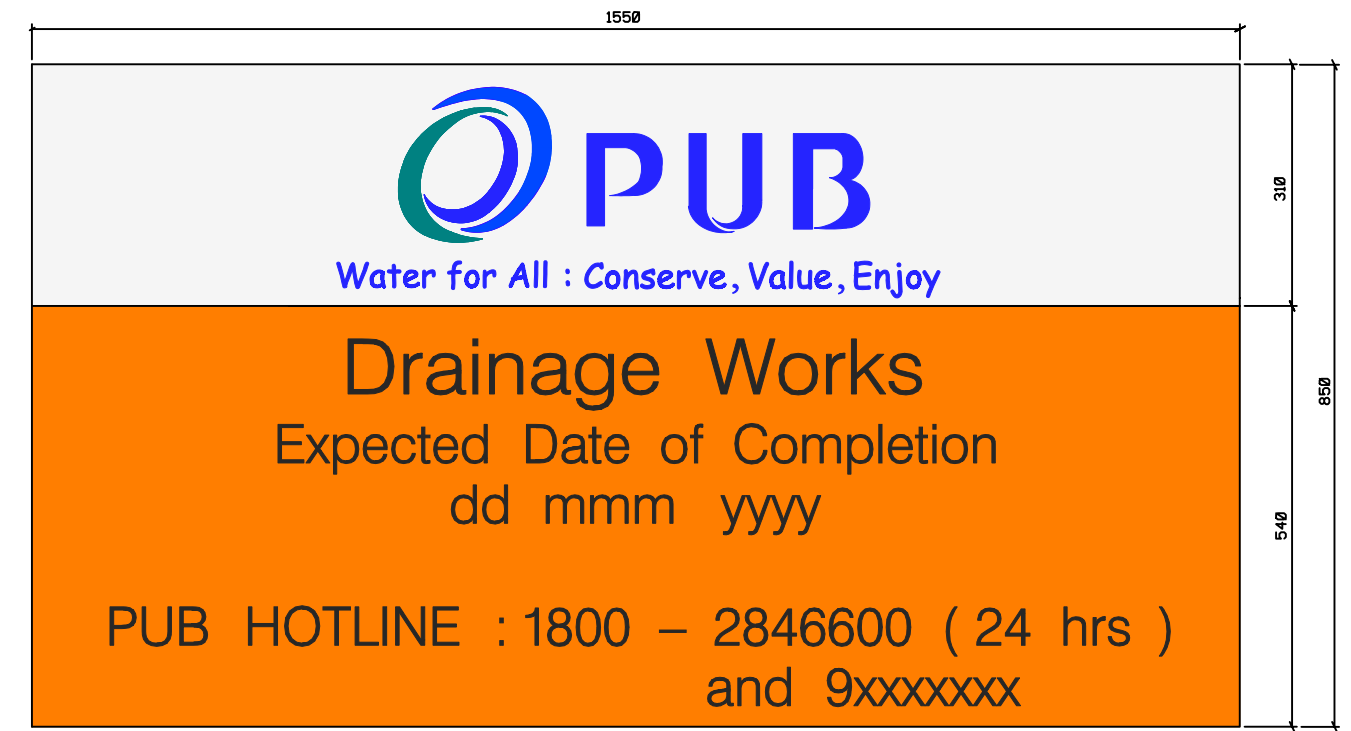
COLOUR SCHEME

BOARD : WHITE
LETTERS : BLUE
LOGOGRAM : SEE DETAILS OF LOGO



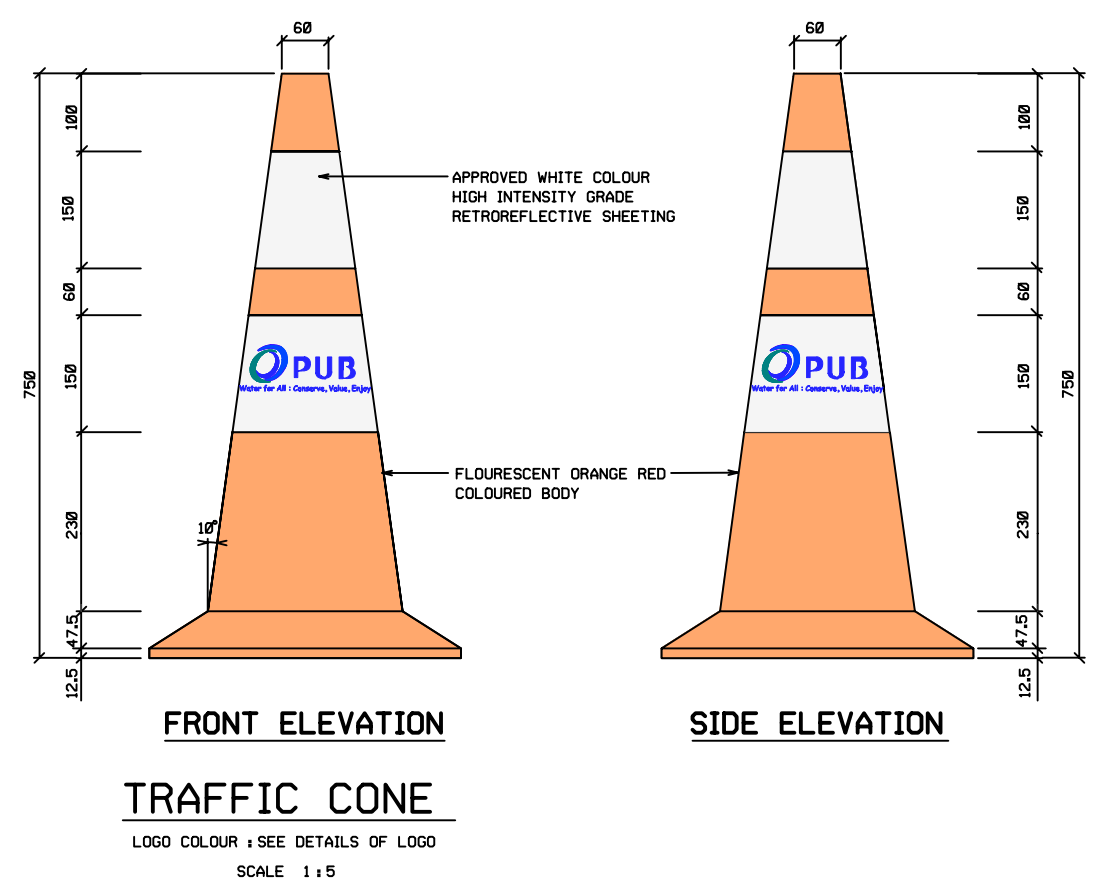
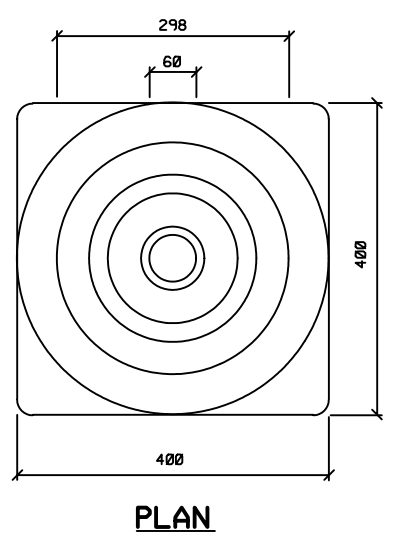
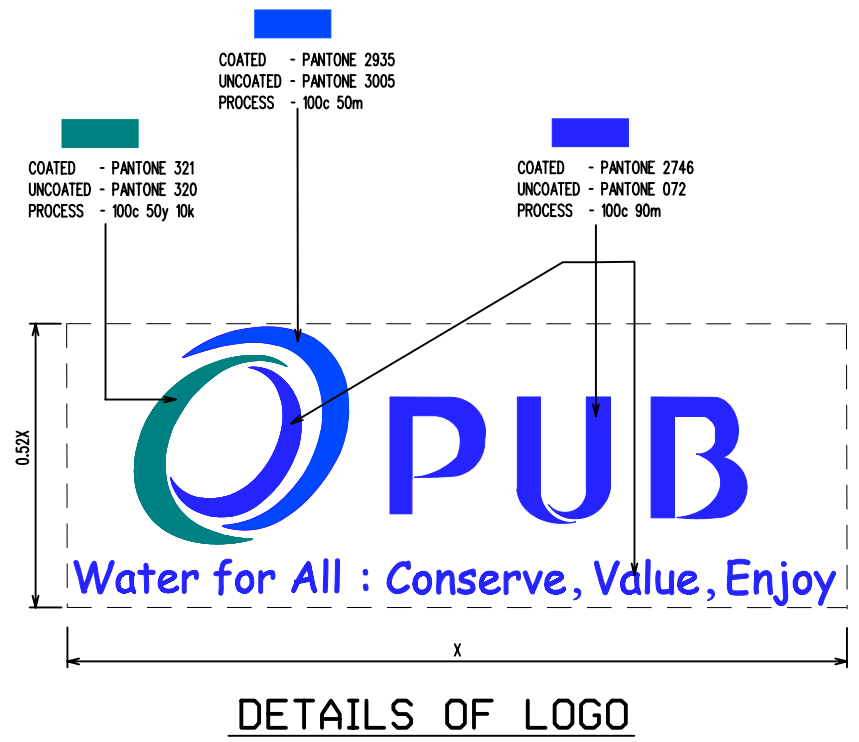
SIZE OF LETTERING	HEIGHT
1. DRAINAGE PROJECT	200mm
2. TITLE OF CONTRACT	80mm
3. DEVELOPER / OWNER	50mm
4. CONSULTANT'S NAME	50mm
5. CONTRACTOR'S NAME	50mm
6. SITE OFFICE (location)	50mm
7. PUB HOTLINE	50mm

NOTE : ALL WORDS SHALL BE IN ENGLISH ONLY



WORKS INFORMATION PLATE
SCALE 1 : 5

PROJECT SIGNBOARD
(PROJECT DESIGNED BY CONSULTANT)
SCALE 1 : 10



Note :
General arrangement and location of all traffic warning signs etc shall be strictly in accordance with this Drawing and the current edition of the Code of Practice for Temporary Traffic Control, issued by the Land Transport Authority

REVISION			
1	CHANGE PUB LOGO WITH TAGLINE		
2	REPLACE "BEST SOURCING DEPARTMENT" TO "DRAINAGE PROJECT" AT THE PROJECT SIGNBOARD		
3	CHANGE WORKS INFORMATION PLATE		
4	CHANGE DRAWING NO. PUB/D/161C/01 TO PUB/BSO/D/161D/01		
PREPARED BY :		APPROVED BY :	
POON S. H. Asst. Director	Date	CONSTITUTIONAL Dy. Director	Date
<p>PUB Water for All : Conserve, Value, Enjoy</p> <p>BEST SOURCING DEPARTMENT</p>			
SCHEME			
STANDARD DRAWING FOR DRAINAGE WORKS			
PROJECT TITLE			
-			
DRAWING TITLE			
PROJECT SIGNBOARD AND TEMPORARY TRAFFIC WARNING SIGN (PROJECT DESIGNED BY CONSULTANTS)			
SCALE : AS SHOWN			
APPROVED BY/DIRECTOR	YAP K. G.	SIGNED	11-11-03
CHECKED BY/CHIEF ENGINEER	ONG-CHUA S. E.	SIGNED	11-11-03
CHECKED BY/Dy. CHIEF ENGINEER	CHIA B. H.	SIGNED	11-11-03
PREPARED BY/TSO GRADE II	TAN H. S.	SIGNED	11-11-03
DRAWN BY/TSO GRADE VII	KHIN S. Y.	SIGNED	11-11-03
FILENAME : BSD161D_01.dgn	ARCHIVED REF : PUB_STD	ARCHIVED BY :	KOH G. L.
DRAWING NO.			
PUB/BSO/D/161D/01			