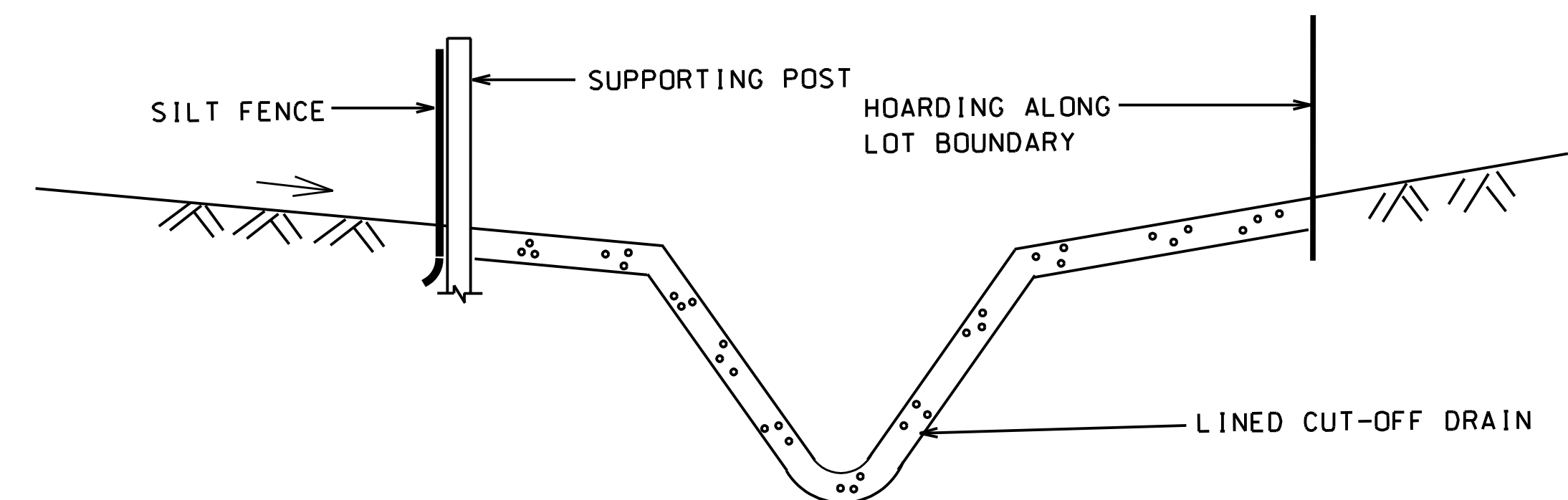
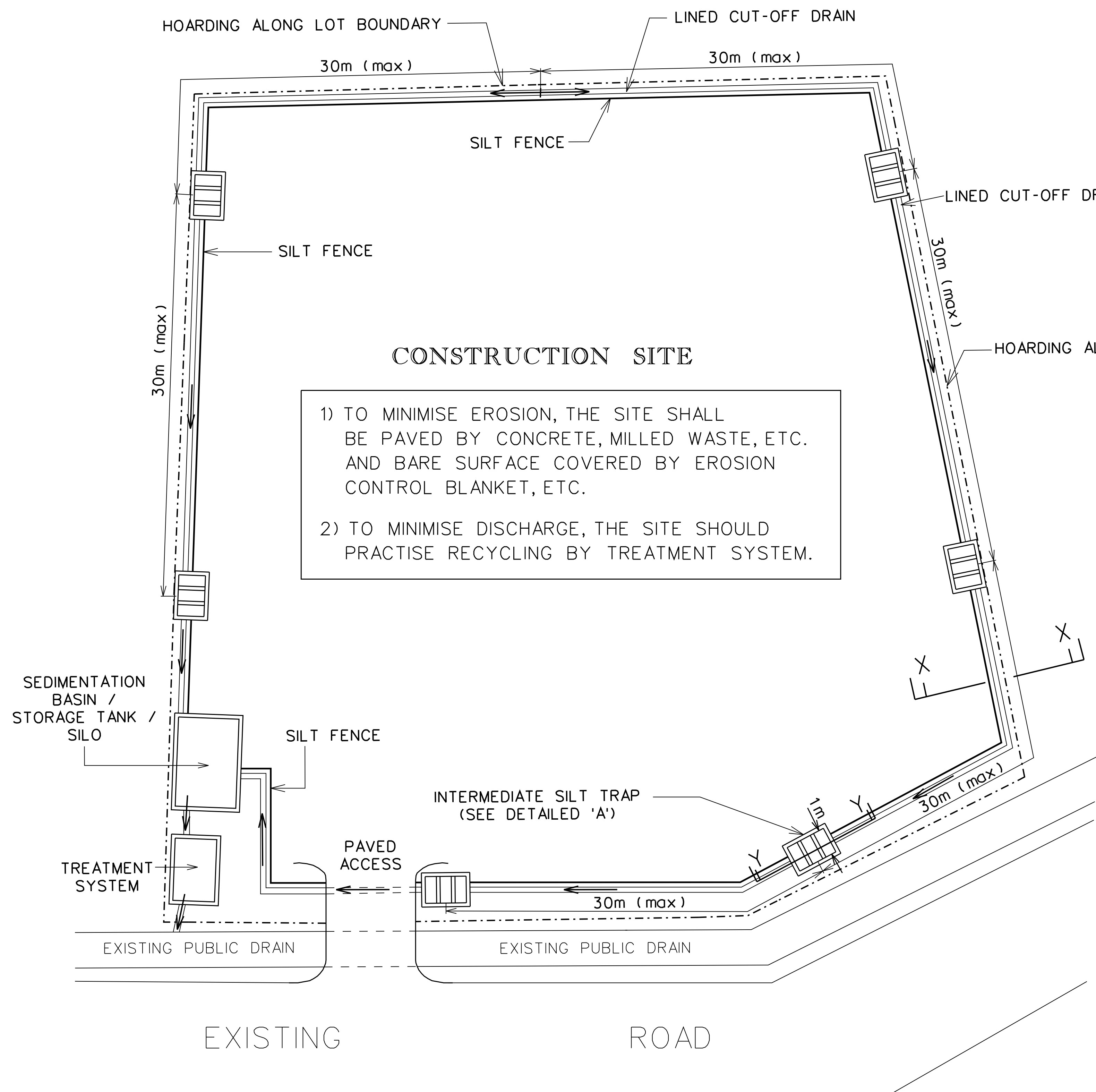
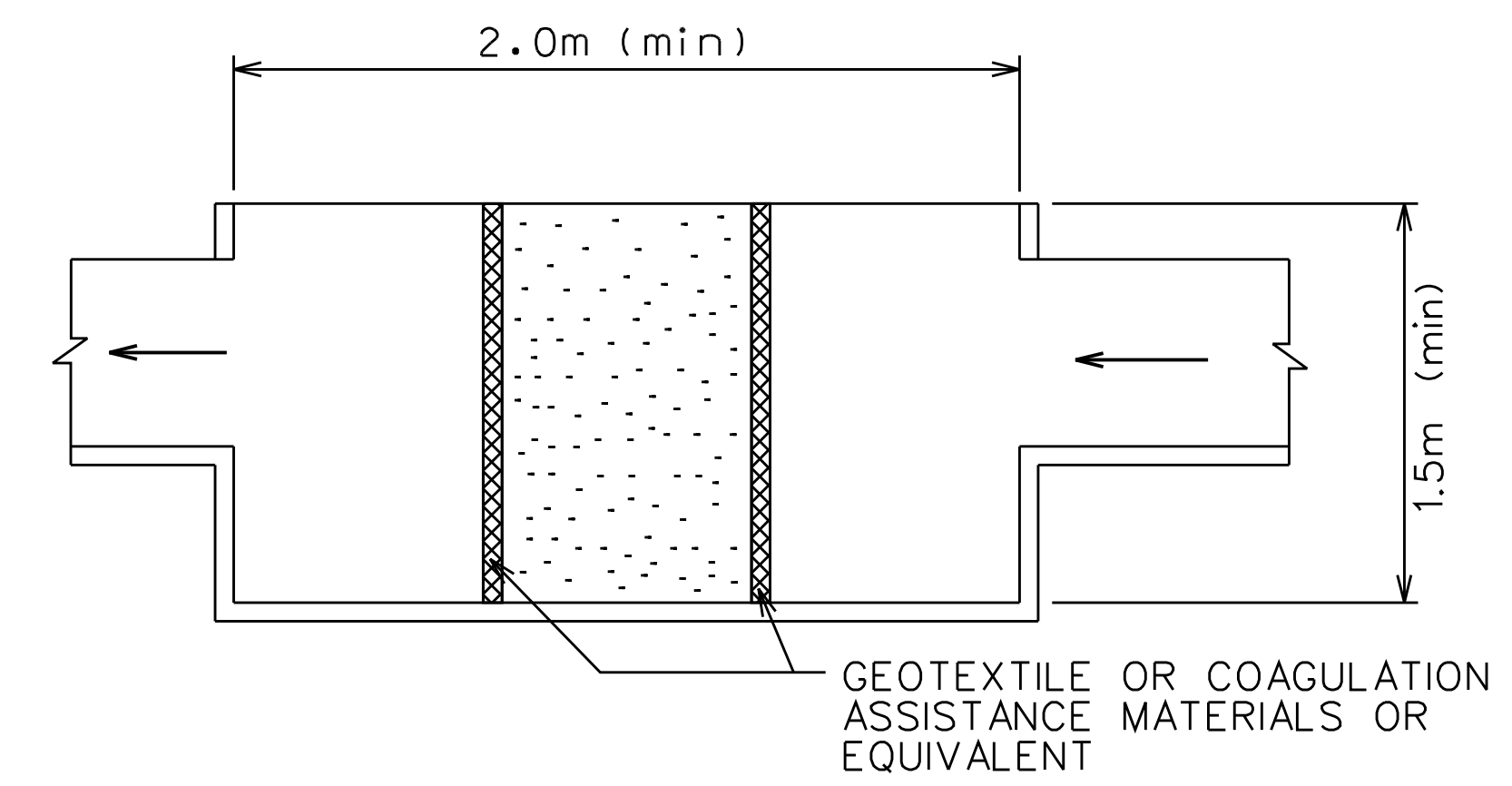


This drawing shows typically the Earth Control Measures at construction site.
 Details of the Earth Control Measures are to be designed by Qualified Erosion Control Professional (QECP).



SECTION X - X
N.T.S



SECTION Y - Y
DETAIL 'A'
N.T.S

Treatment System:

- (1) If a site has suitably sized storage pond / tank and treatment system, the rainfall to be considered is equivalent to 60 mm/m² of the construction site.
- (2) As an illustration, for 0.5 ha (5,000 m²) site, the storage pond / tank should contain a minimum of 300 m³ and the treatment system should have a minimum capacity of 30 m³/hr, as outlined in clause 6.3.8(B). To reduce the storage and treatment capacity, a site can reduce the erodible or bare surface by adopting measures as outlined in Clause 6.3.8(A).
- (3) Please refer to Earth Control Measures (ECM) website www.pub.gov.sg/ECM for details of Earth Control Measures