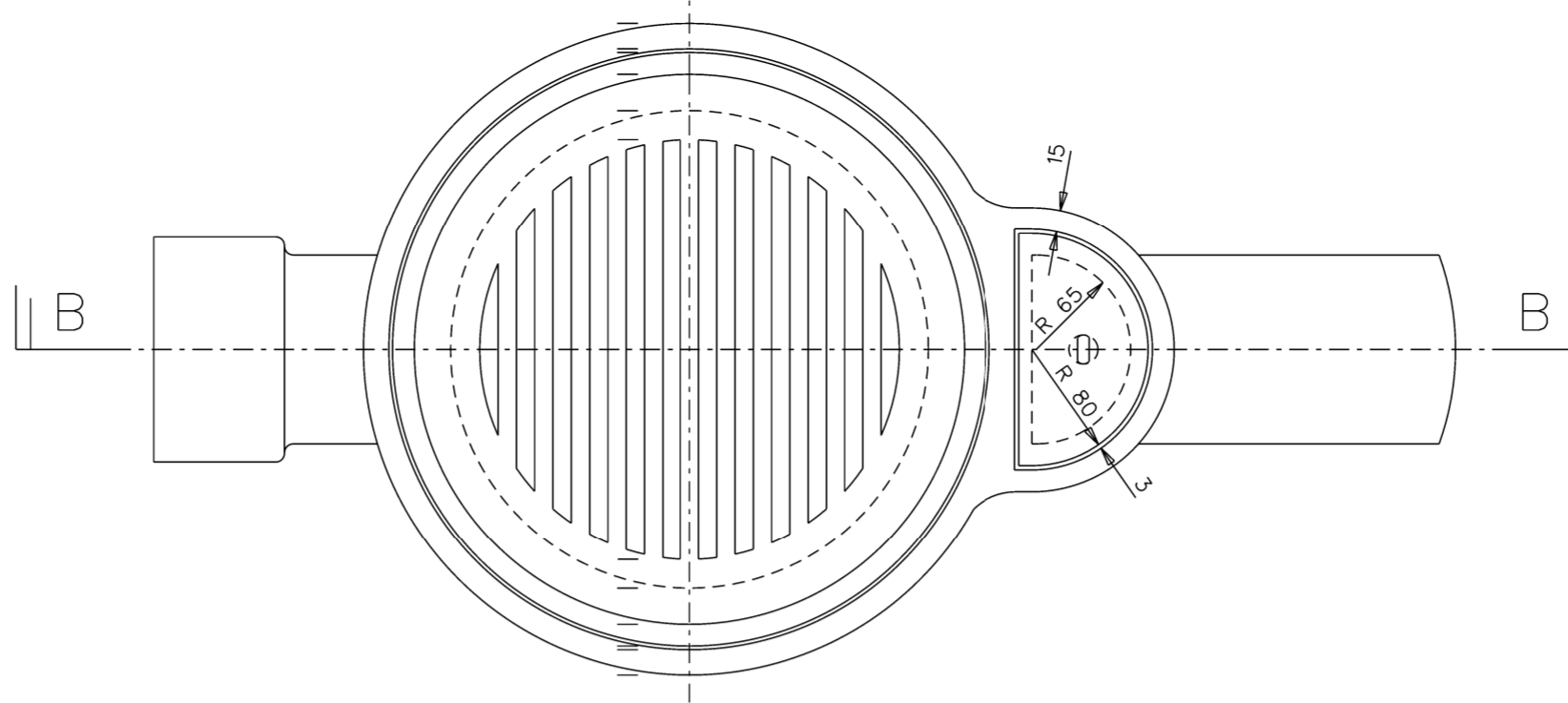
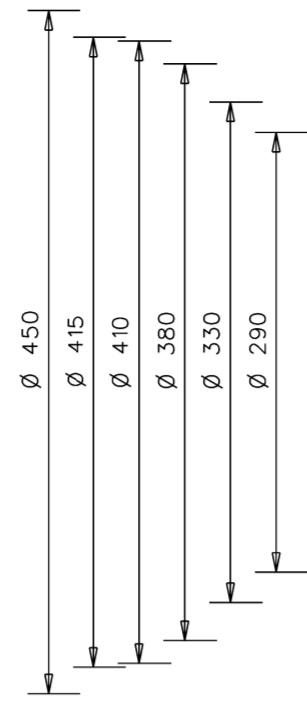
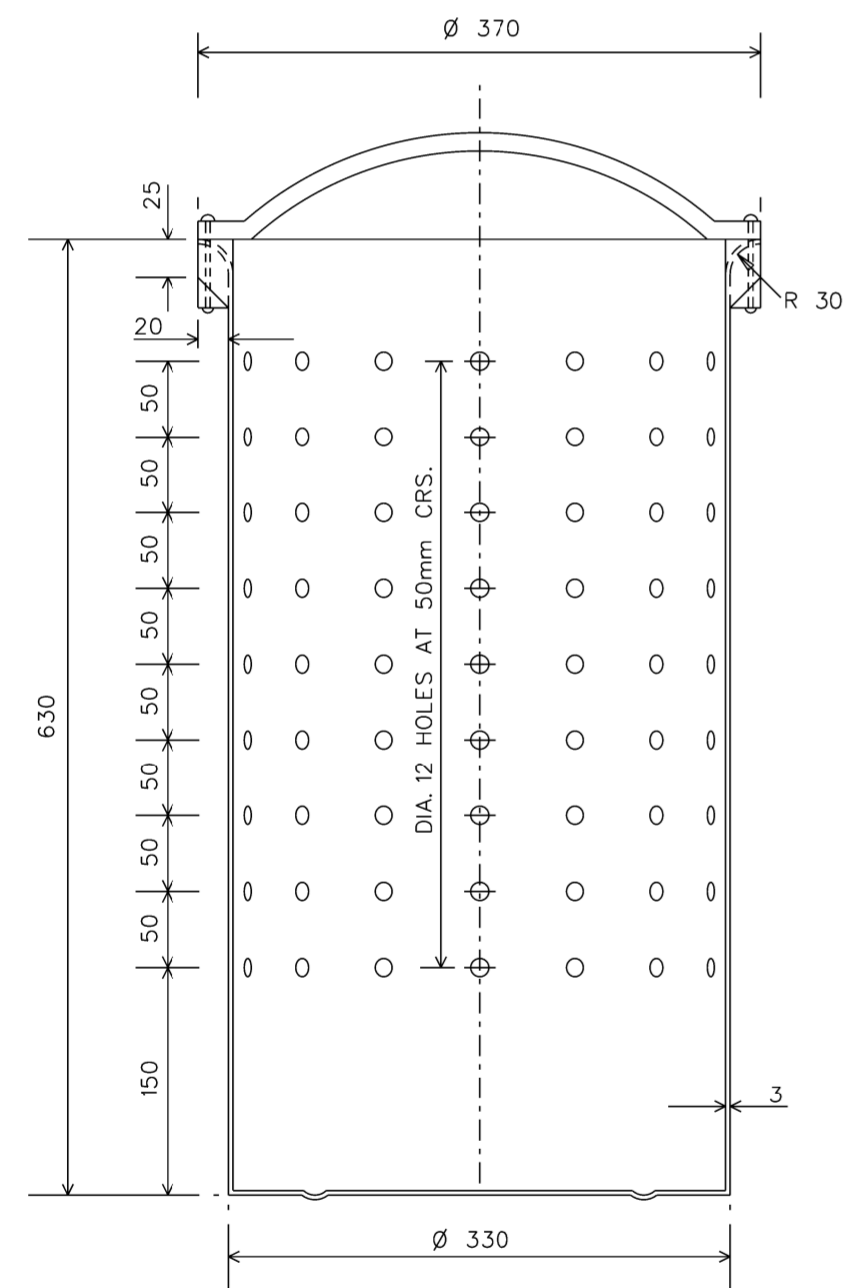


144 NOS. DIA. 12mm HOLES

PLAN

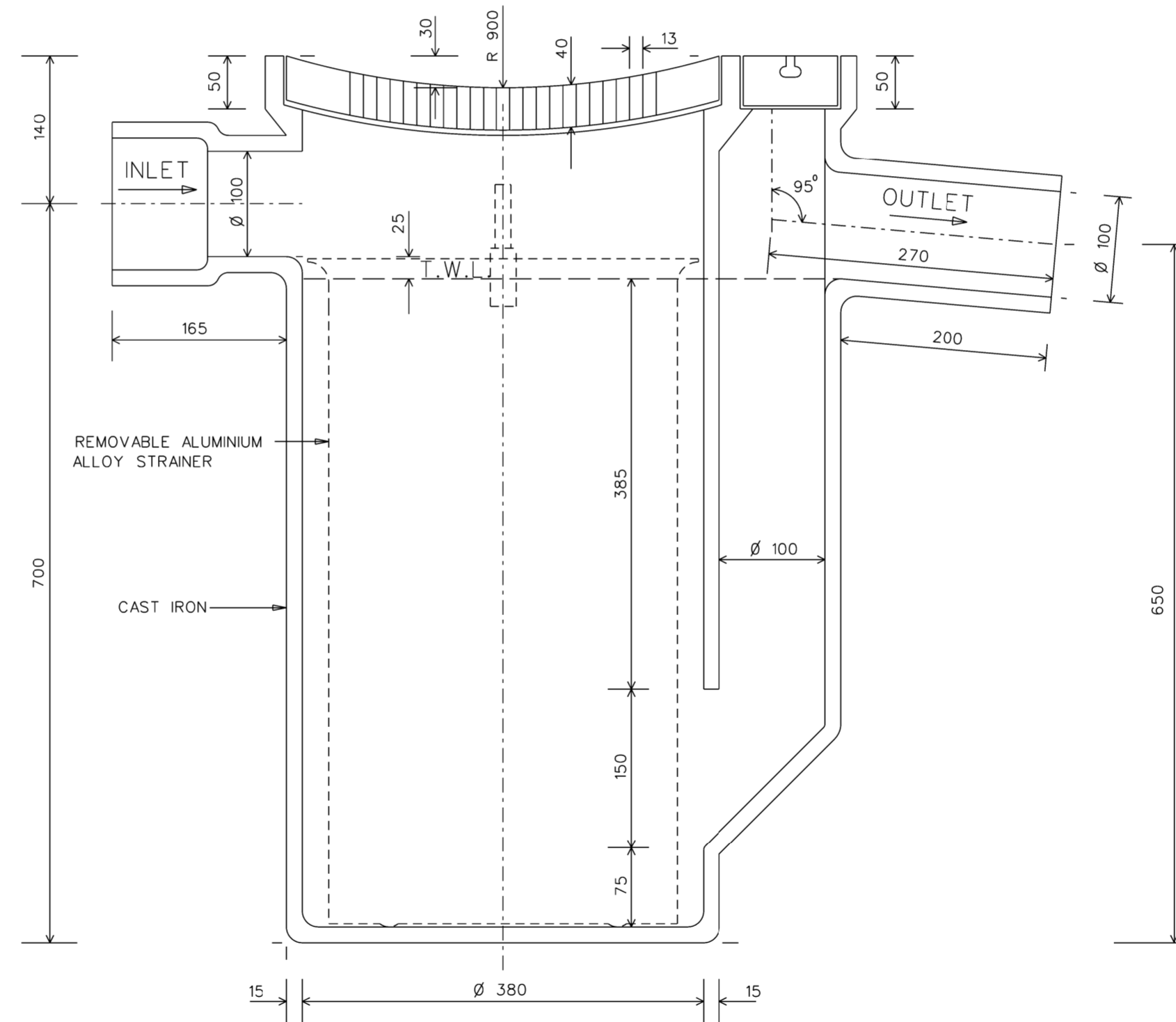


PLAN



SECTION A - A

ALUMINIUM ALLOY STRAINER



SECTION B - B

CAST IRON GULLY TRAP

NOTES:

1. THE CAST IRON GULLY SHALL BE CAST FROM A MIXTURE OF CAST IRON SCRAP AND A SUITABLE GRADE OF PIG IRON. THE MIXTURE OF THE RESULTANT METAL SHALL BE SUCH AS TO PROVIDE A STRONG STRUCTURE FREE FROM CHILL.
2. THE CASE IRON GULLY SHALL BE FREE FROM AIRHOLES, SANDHOLES, COLD SHUTS AND CHILLS. THEY SHALL BE NEATLY DRESSED AND CAREFULLY FETTLED. ALL CASTING SHALL BE FREE FROM VOIDS WHETHER DUE TO SHRINKAGE, GAS INCLUSION OR OTHER CAUSES.
3. THE FINISHED PRODUCT SHALL BE SUPPLIED COATED WITH A BLACK BITUMINOUS COMPOSITION.
4. THE SPIGOT & SOCKET END OF THE GULLY SHALL COMPLY WITH THE CURRENT B.S. 78.
5. THE ALUMINIUM ALLOY STRAINER IS TO COMPLY WITH B.S. ALLOY H.V. 30 WP OR SIMILAR STANDARD ALLOY.
6. THICKNESS OF THE CAST IRON GULLY TRAP TO BE MINIMUM 15mm.