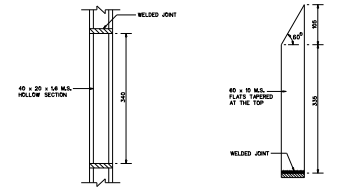
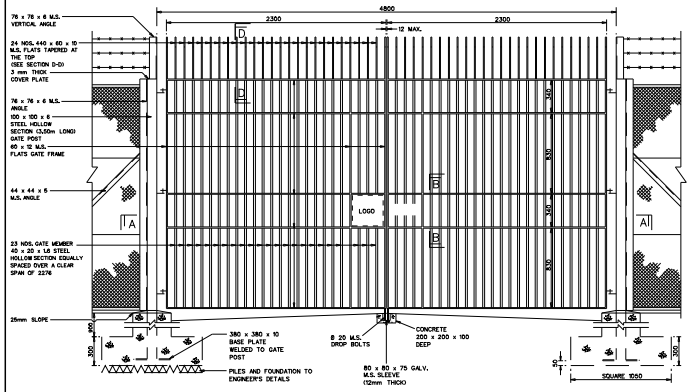


8 - METRE WIDE GATE  
SCALE 1:20

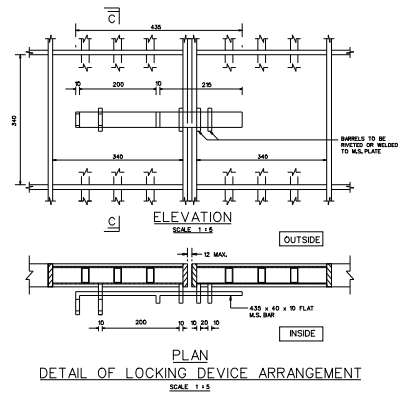


SECTION B-B  
SCALE 1:15

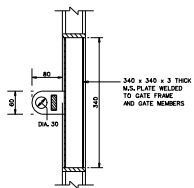
SECTION D-D  
SCALE 1:15



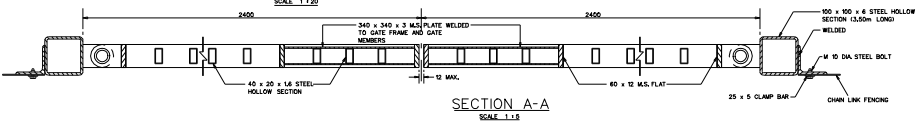
4.8 METRE WIDE GATE  
SCALE 1:20



DETAIL OF LOCKING DEVICE ARRANGEMENT  
SCALE 1:15



SECTION C-C  
SCALE 1:15



SECTION A-A  
SCALE 1:15

- NOTES:
- 25mm x 5mm CLAMP BAR TO BE USED ON ALL STRAPPING POSTS AND ALL STEEL MEMBERS OF GATE FOR HOLDING DOWN THE PIPE RISER.
  - ALL STRUCTURES ABOVE GROUND TO BE AT LEAST 0.3 METRES CLEAR OFF ALL OBSTACLES.
  - ALL BOLTS, NUTS, STAPLES AND WADERS SHALL BE PLATED OR COATED WITH STAINLESS METAL.
  - THE MILD STEEL GATES AND GATE POSTS SHALL BE GALVANIZED AND THEN PRIMED IN THE FACTORY. AFTER ERECTION ON SITE, THE GATES AND THE GATE POSTS SHALL BE PRIMED AGAIN AND PAINTED WITH TWO COATS OF PAINT.
  - GATE FOR P.W. ELECTRICAL SUB-STATION SHALL BE PROVIDED WITH HOLLERS ON WALL.

ISSUED BY WATER RECLAMATION (NETWORK) DEPARTMENT  
ON APR '05

SCALES  
AS  
SHOWN

STANDARD 8-METRE AND 4.8-METRE WIDE GATES

**PUB**  
WATER RECLAMATION (NETWORK) DEPARTMENT  
DRG. NO. PUB/WRN/STD/903

( ORIGINAL BORDER SIZE 810mm X 565mm )