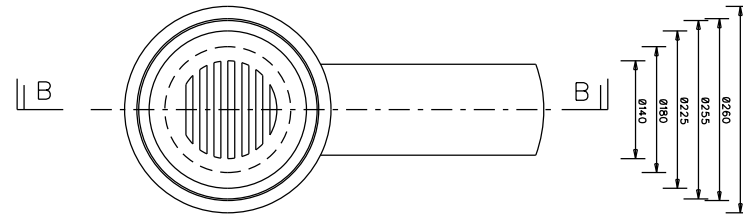
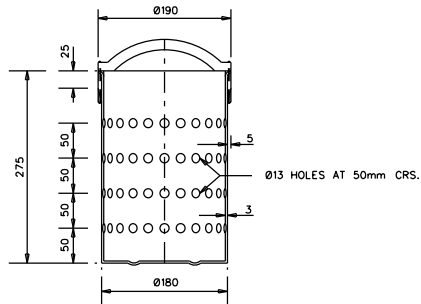


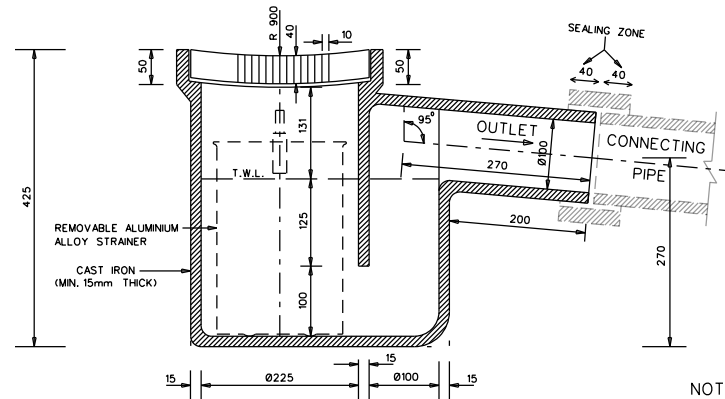
PLAN



PLAN



SECTION A-A
ALUMINIUM ALLOY STRAINER



SECTION B-B
CAST IRON GULLY TRAP

NOTES:

1. THE FINISHED PRODUCT SHALL BE SUPPLIED COATED WITH A BLACK BITUMINOUS COMPOSITION.
2. IF OUTLET IS CONNECTED TO A PIPE WITH SPIGOT END, SEALING ZONE (SEE SECTION B-B) SHALL COMPLY WITH THE LATEST BS EN 877.
3. THE STRAINER SHALL BE MADE OF CORROSION RESISTANT ALUMINIUM ALLOY.

ALL DIMENSIONS ARE IN mm.

ISSUED : DEC 2021

SCALES

1 : 5

LAST REVIEWED : NOV 2021

CAST IRON GULLY TRAP FOR BIN CENTRE

PUB SINGAPORE'S NATIONAL WATER AGENCY
WATER RECLAMATION (NETWORK) DEPARTMENT

DRG. NO. PUB/WRN/STD/044B