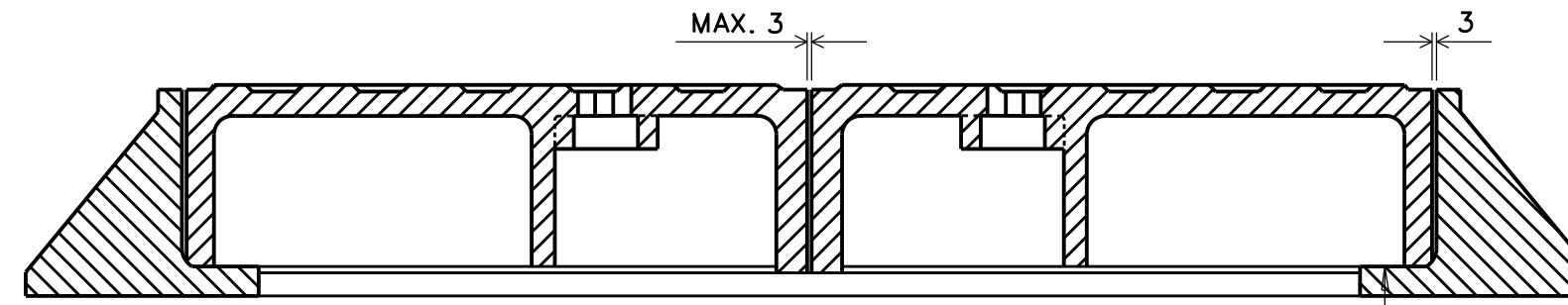
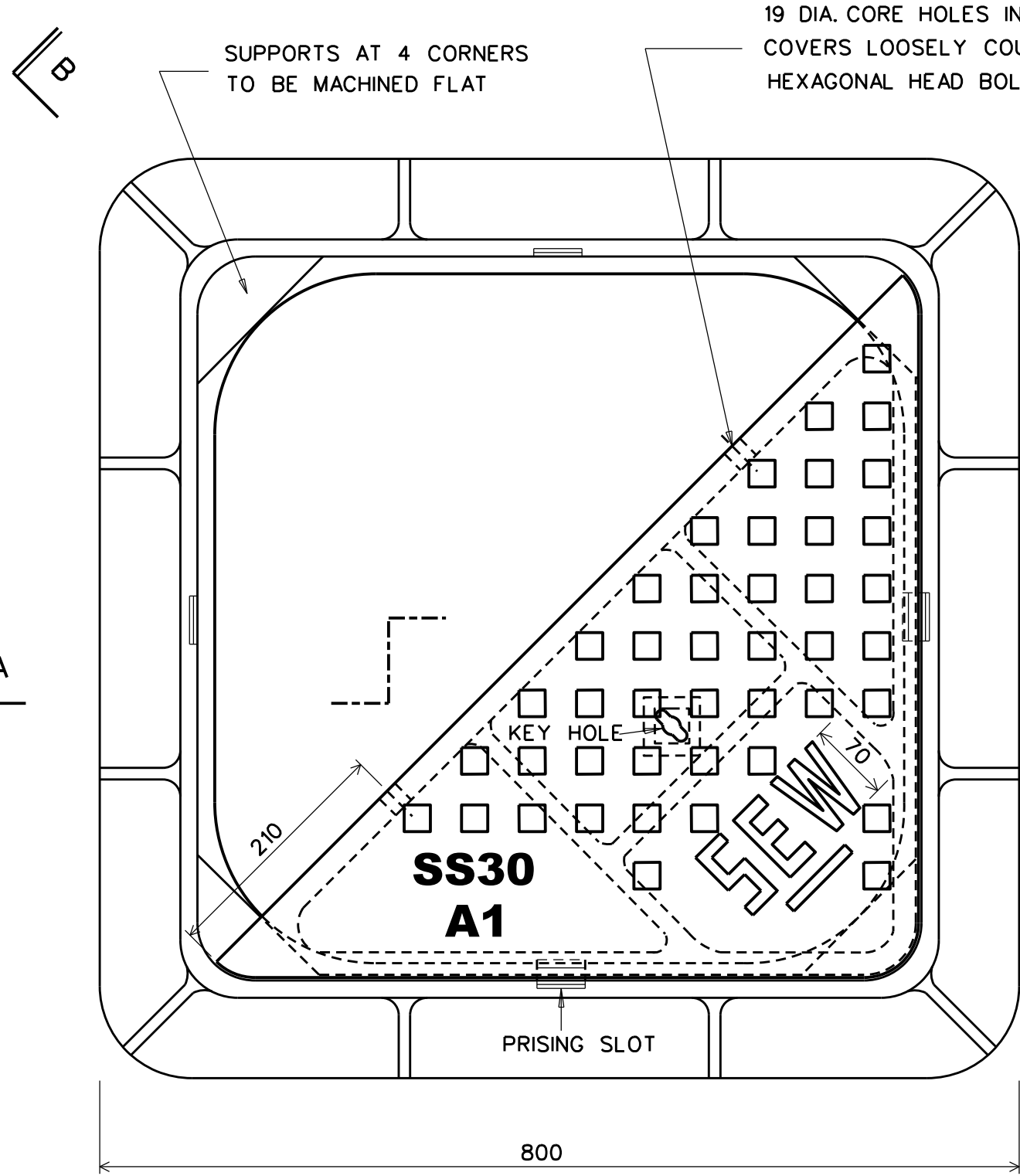


SECTION A - A



SECTION B - B

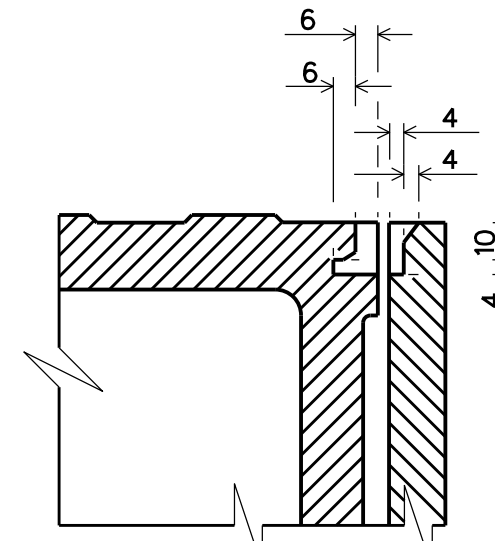
SURFACE IN CONTACT TO BE MACHINED TO CLOSE TOLERANCE



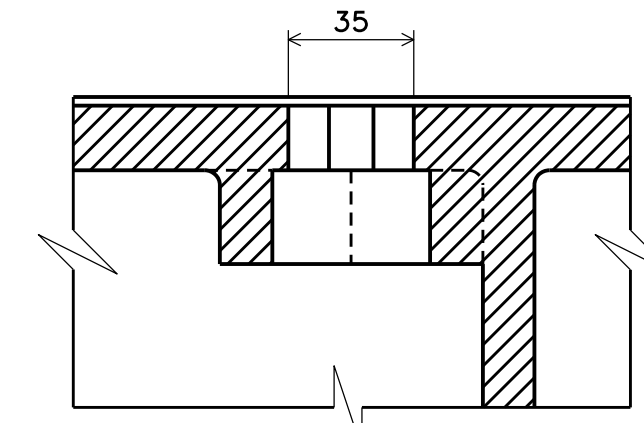
PLAN  
HALF COVER REMOVED  
SCALE 1:5

19 DIA. CORE HOLES IN COVERS.  
COVERS LOOSELY COUPLED BY M16  
HEXAGONAL HEAD BOLTS & NUTS

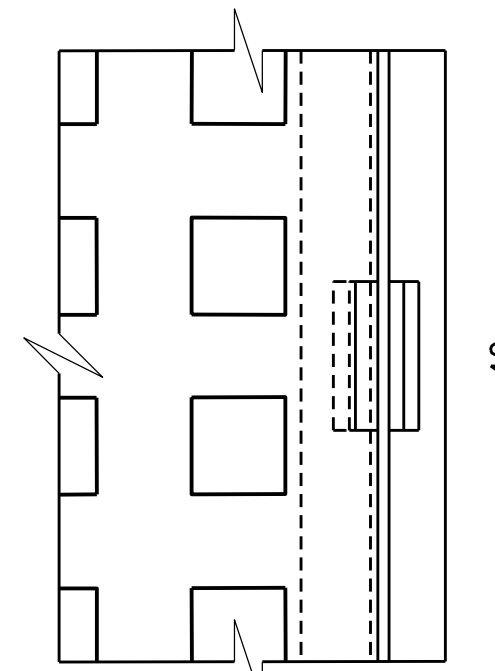
SUPPORTS AT 4 CORNERS  
TO BE MACHINED FLAT



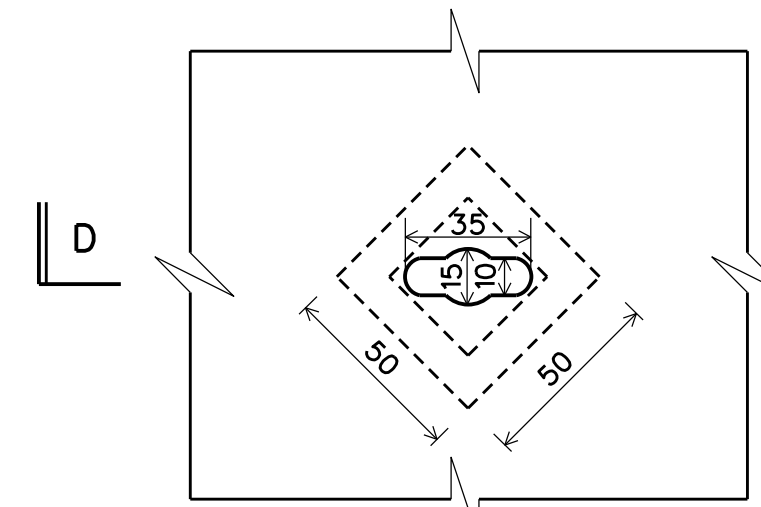
SECTION C - C



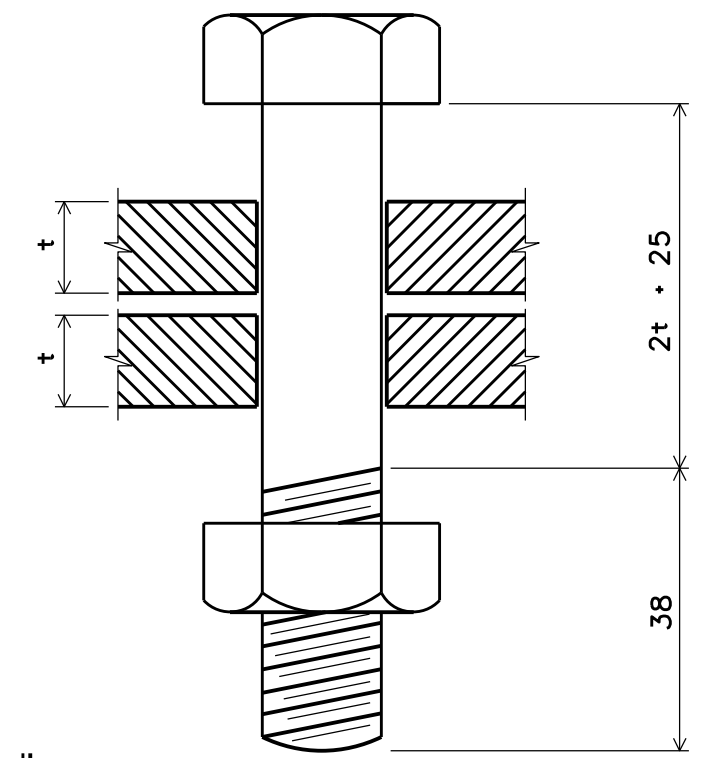
SECTION D - D



PLAN  
DETAIL OF PRISING SLOT  
SCALE 1:2



PLAN  
DETAIL OF KEYHOLE  
SCALE 1:2



M16 BOLT  
NO WASHER TO BE USED  
SCALE 1:1

NOTES :

1. MANHOLE COVER AND FRAME SHALL IN GENERAL COMPLY WITH S.S. 30.
2. ALL BOLTS AND NUTS SHALL BE OF STAINLESS STEEL.

A	1) SS30 AND GRADE ADDED TO MANHOLE COVER
	2) FRAME THICKNESS ADDED
AMENDMENTS	

SCALES  
AS  
SHOWN  
( A2 )

STANDARD HEAVY DUTY MANHOLE FRAME AND COVER