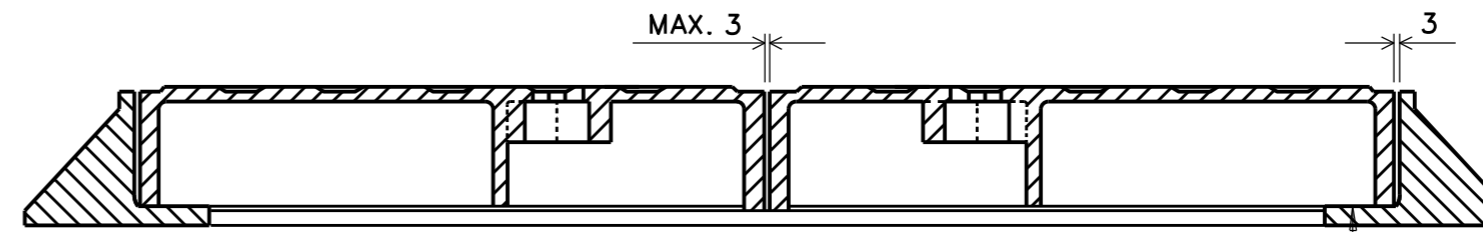
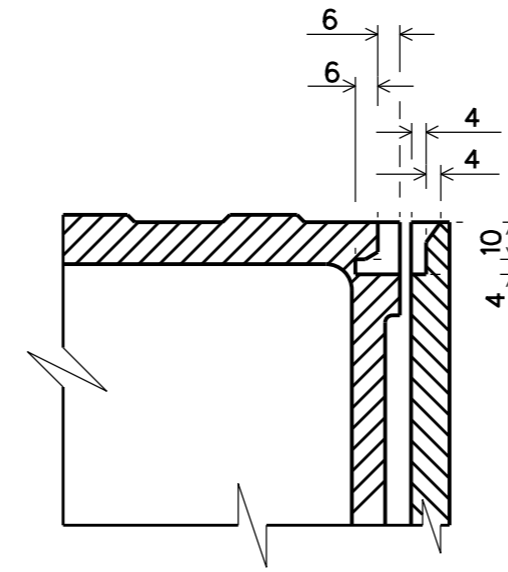


SECTION A - A

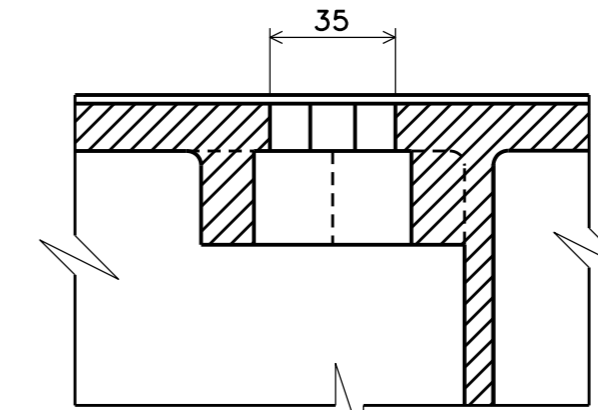


SECTION B - B

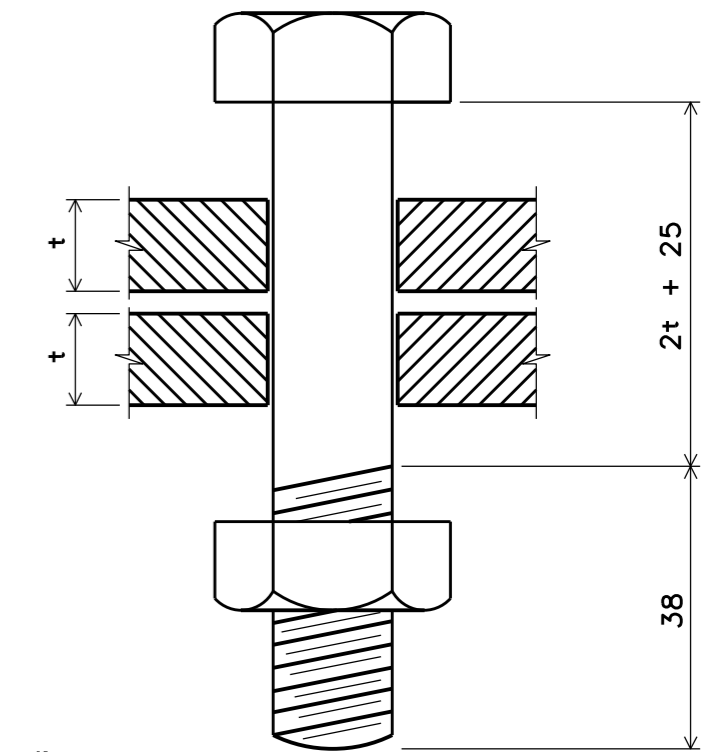
SURFACE IN CONTACT TO BE MACHINED TO CLOSE TOLERANCE



SECTION C - C



SECTION D - D

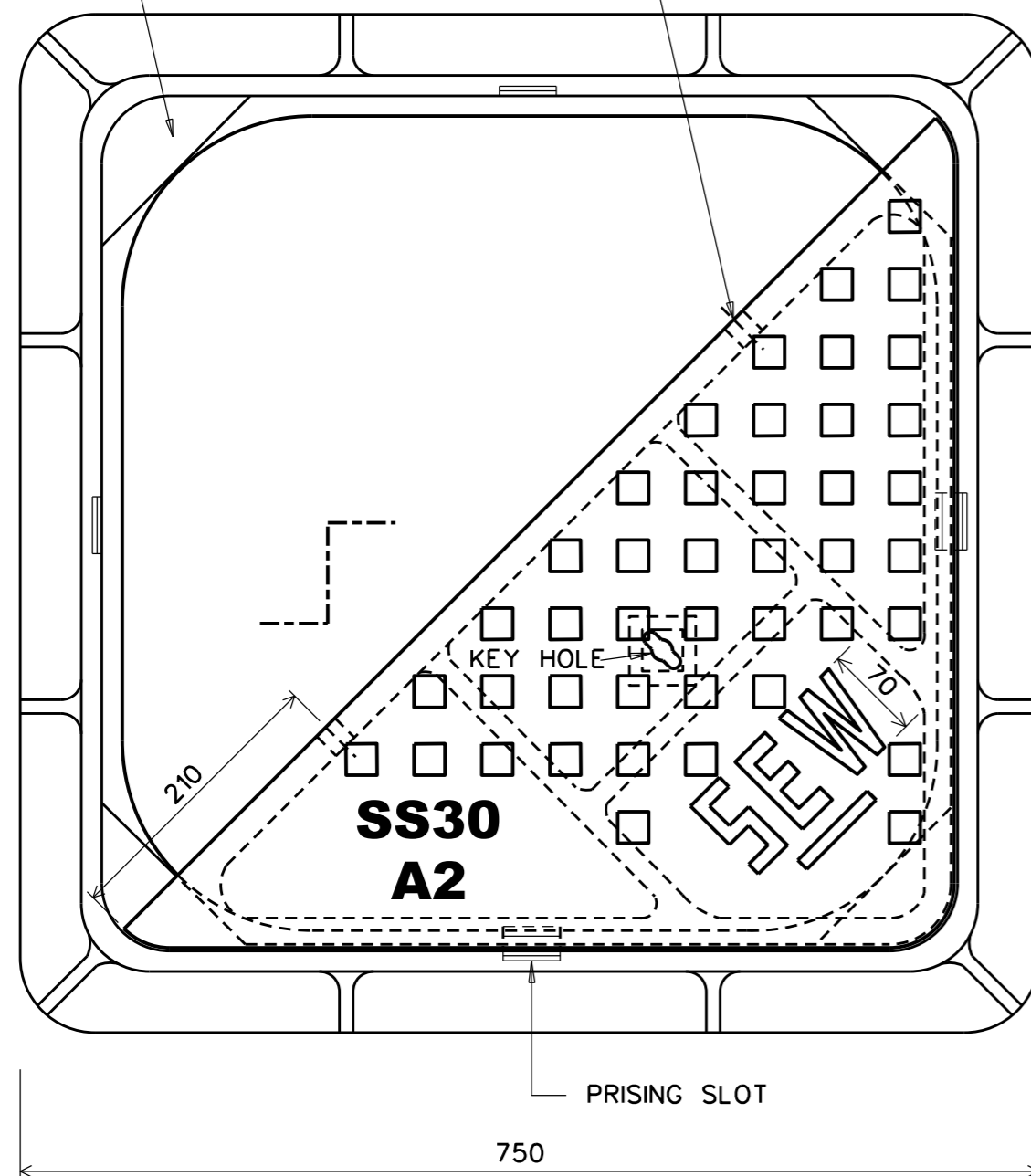


M16 BOLT
NO WASHER TO BE USED

SCALE 1:1

SUPPORTS AT 4 CORNERS TO BE MACHINED FLAT

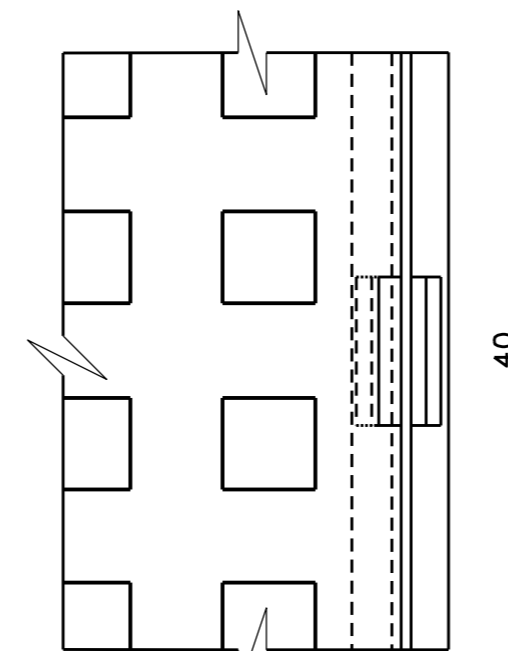
19 DIA. CORE HOLES IN COVERS. COVERS LOOSELY COUPLED BY M16 HEXAGONAL HEAD BOLTS & NUTS



PLAN

HALF COVER REMOVED

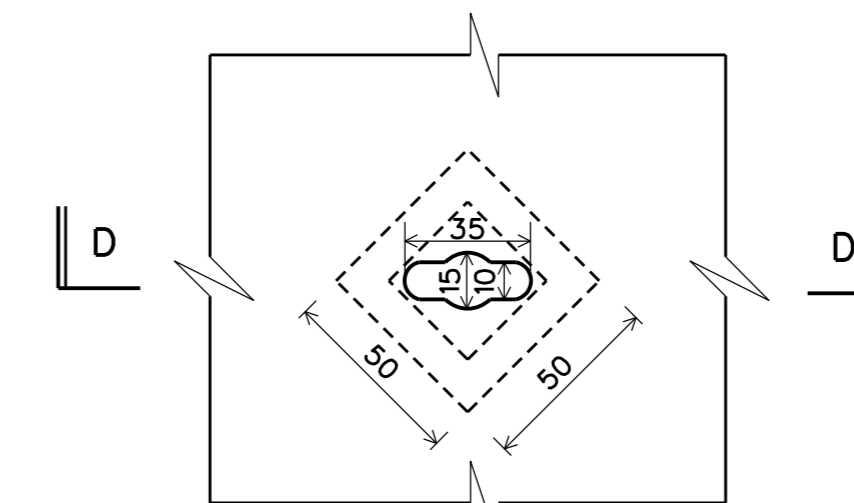
SCALE 1:5



PLAN

DETAIL OF PRISING SLOT

SCALE 1:2



PLAN

DETAIL OF KEYHOLE

SCALE 1:2

NOTES :

1. MANHOLE COVER AND FRAME SHALL IN GENERAL COMPLY WITH S.S. 30.
2. ALL BOLTS AND NUTS SHALL BE OF STAINLESS STEEL.

A	1) SS30 AND GRADE ADDED TO MANHOLE COVER
	2) FRAME THICKNESS ADDED
AMENDMENTS	

SCALES
AS SHOWN
(A2)

STANDARD MEDIUM DUTY MANHOLE FRAME AND COVER

OPUB SINGAPORE'S NATIONAL WATER AGENCY
WATER RECLAMATION (NETWORK) DEPARTMENT

DRG. NO. PUB/WRN/STD/016A