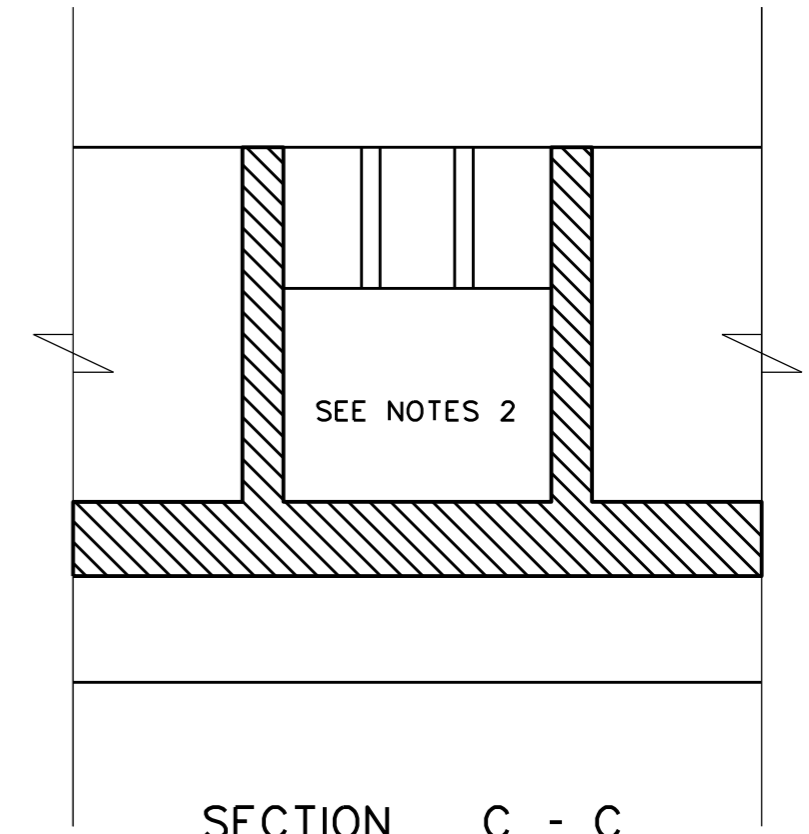


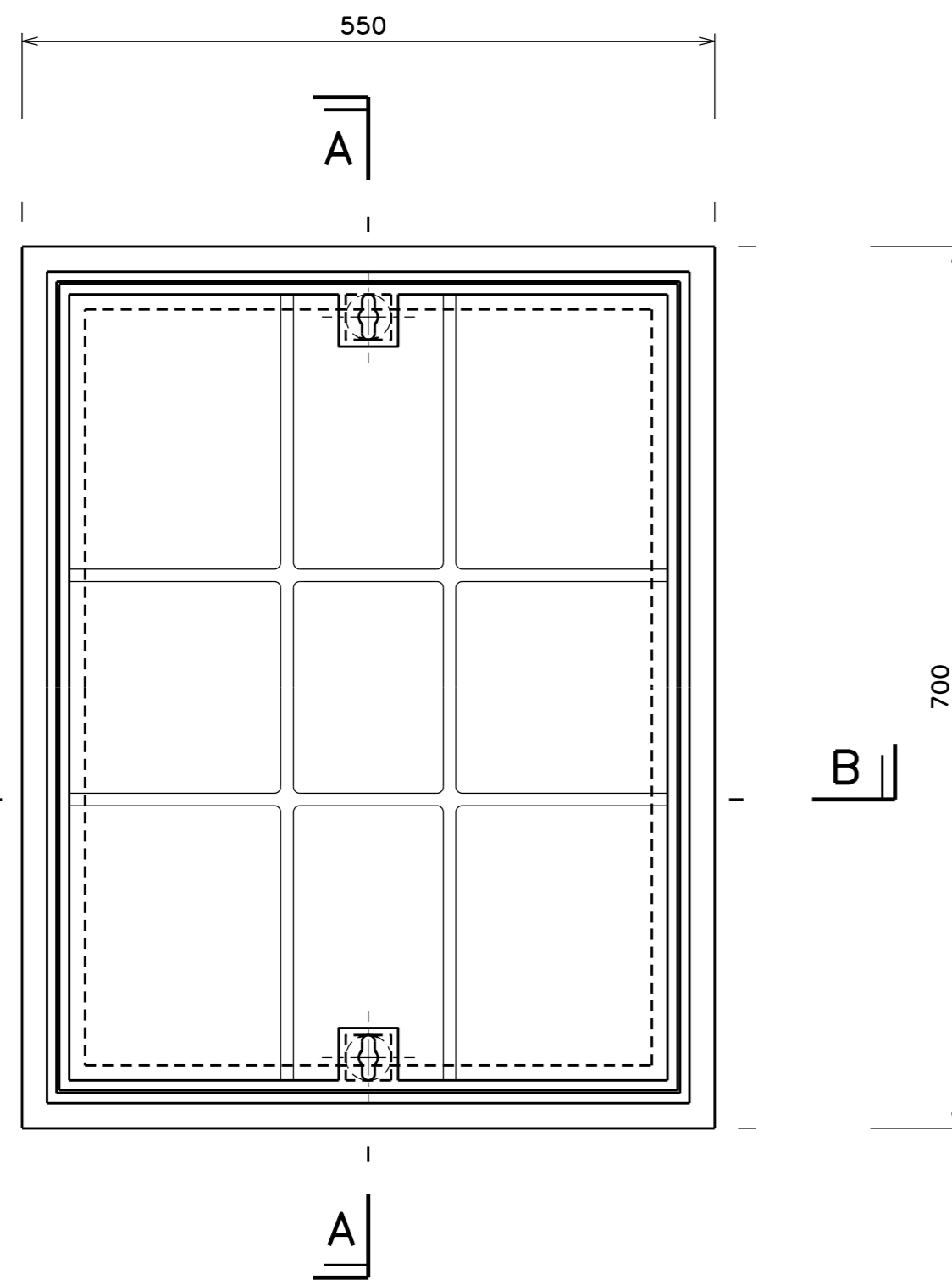
SECTION B - B

SCALE 1:5



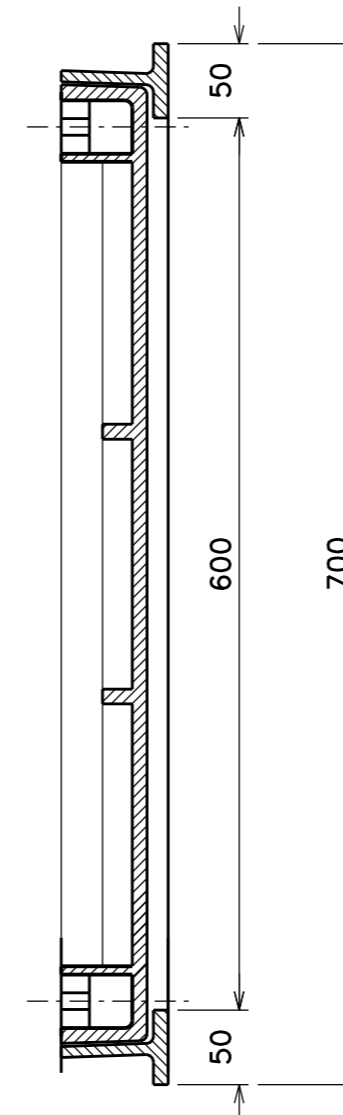
SECTION C - C

SCALE 1:1



PLAN

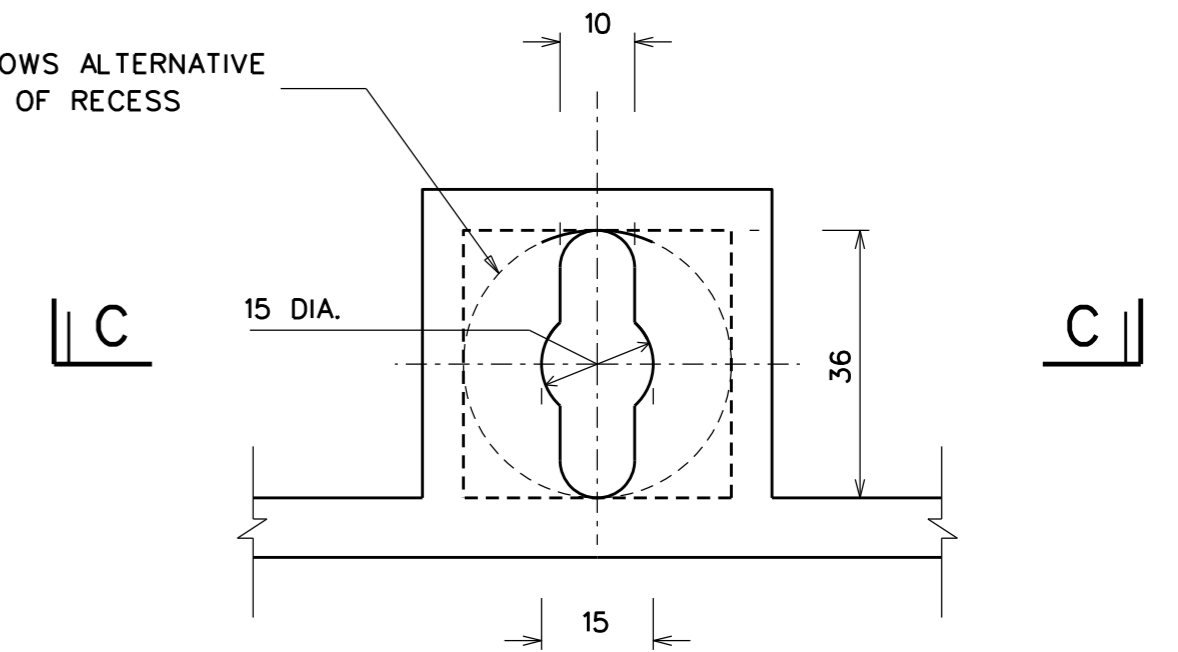
SCALE 1:5



SECTION A - A

SCALE 1:5

DOTTED LINE SHOWS ALTERNATIVE CIRCULAR SHAPE OF RECESS



DETAILS OF KEYHOLE

SCALE 1:1

NOTES:

1. THE INSPECTION COVER SHALL BE DESIGNED TO SS30.
2. KEYHOLES ARE TO BE FILLED WITH SAND AND FINISHED OFF WITH WHITE CEMENT OR SIMILAR SUITABLE MATERIAL TO PREVENT MOSQUITO BREEDING.

A	SS30 AND GRADE ADDED TO MANHOLE COVER
AMENDMENTS	

SCALES
AS
SHOWN
(A2)

RECESSED TYPE LIGHT DUTY INSPECTION CHAMBER FRAME AND COVER