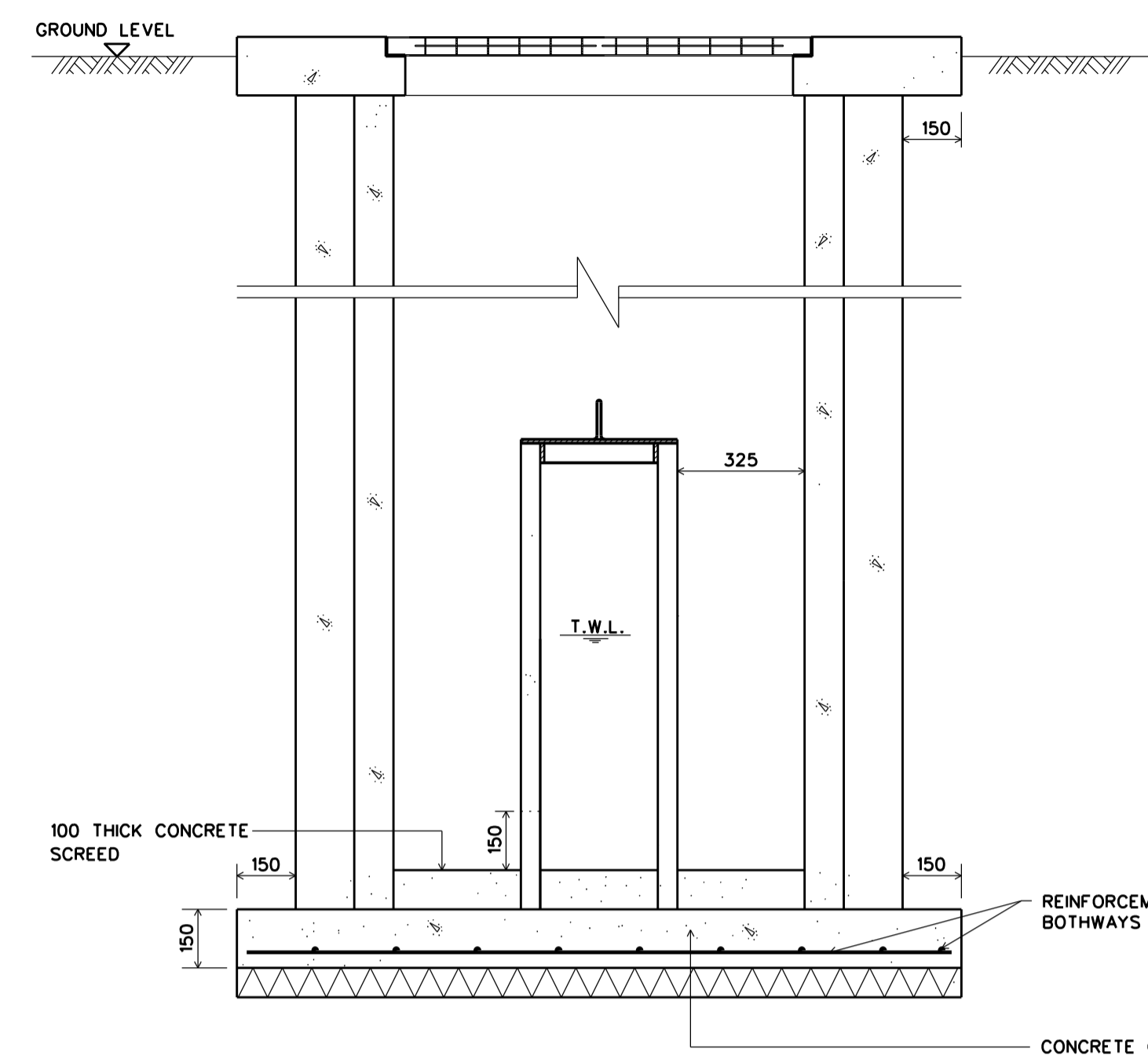
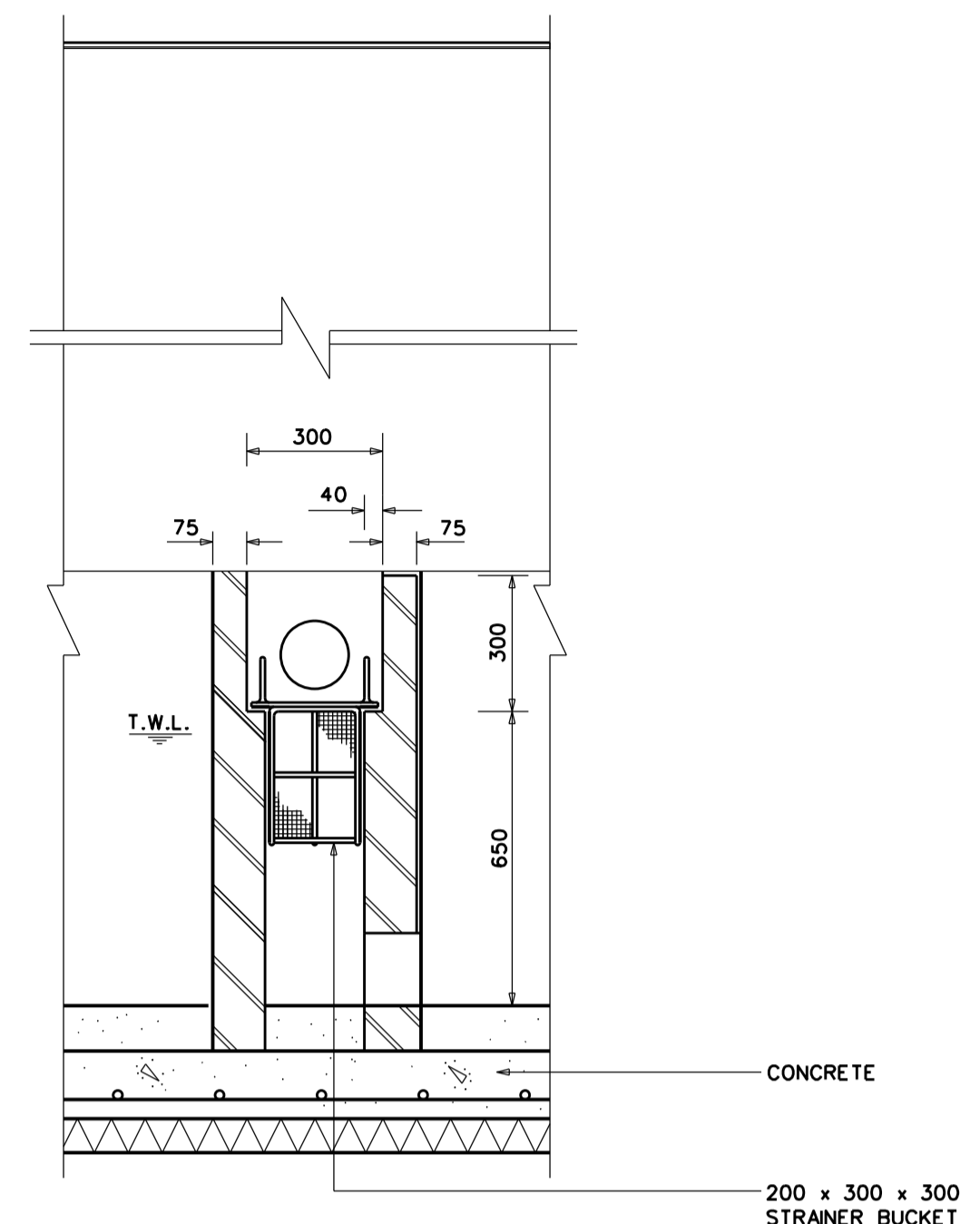


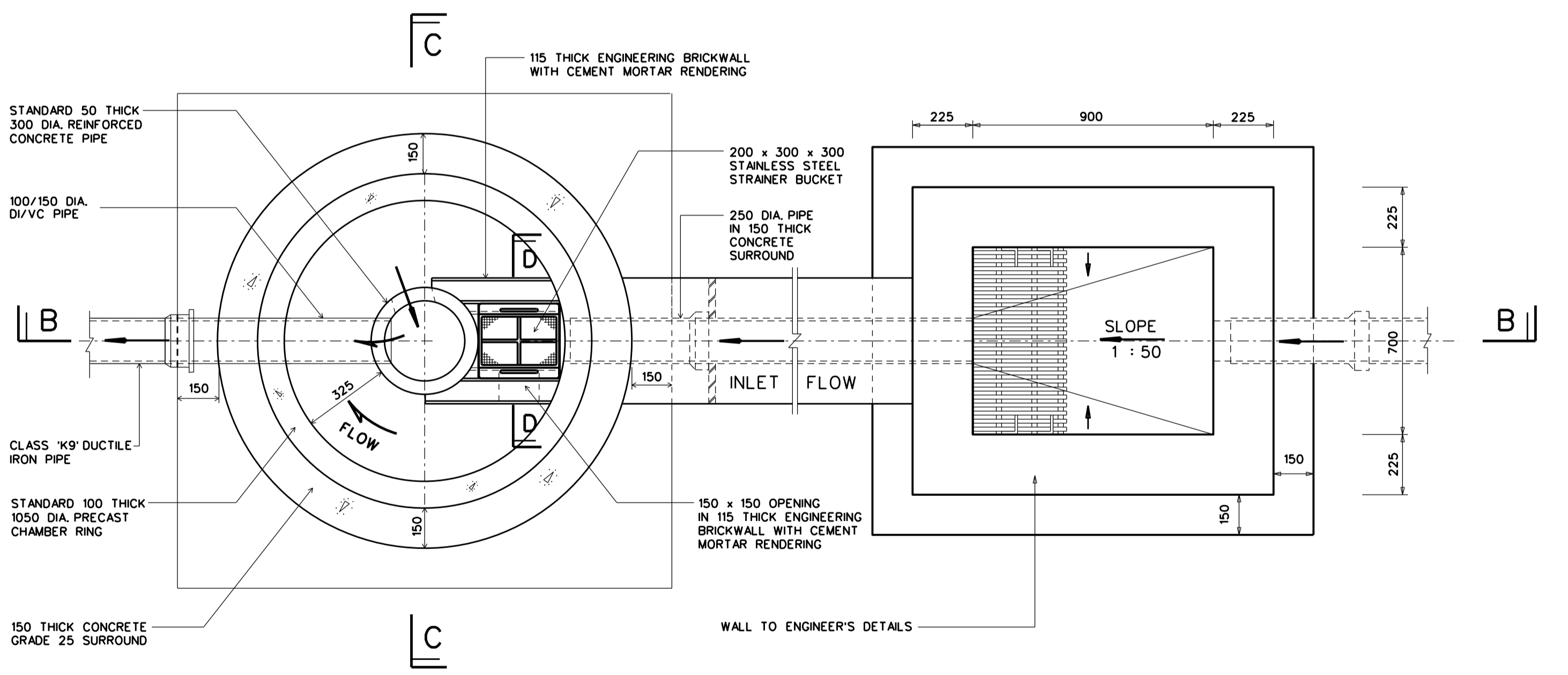
SECTION B-B



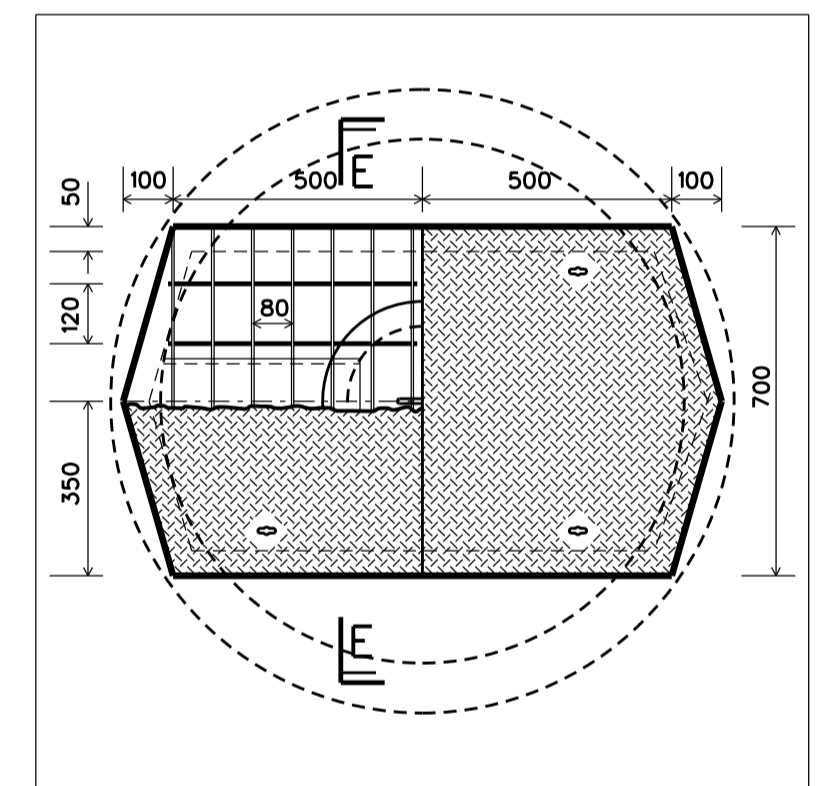
SECTION C-C



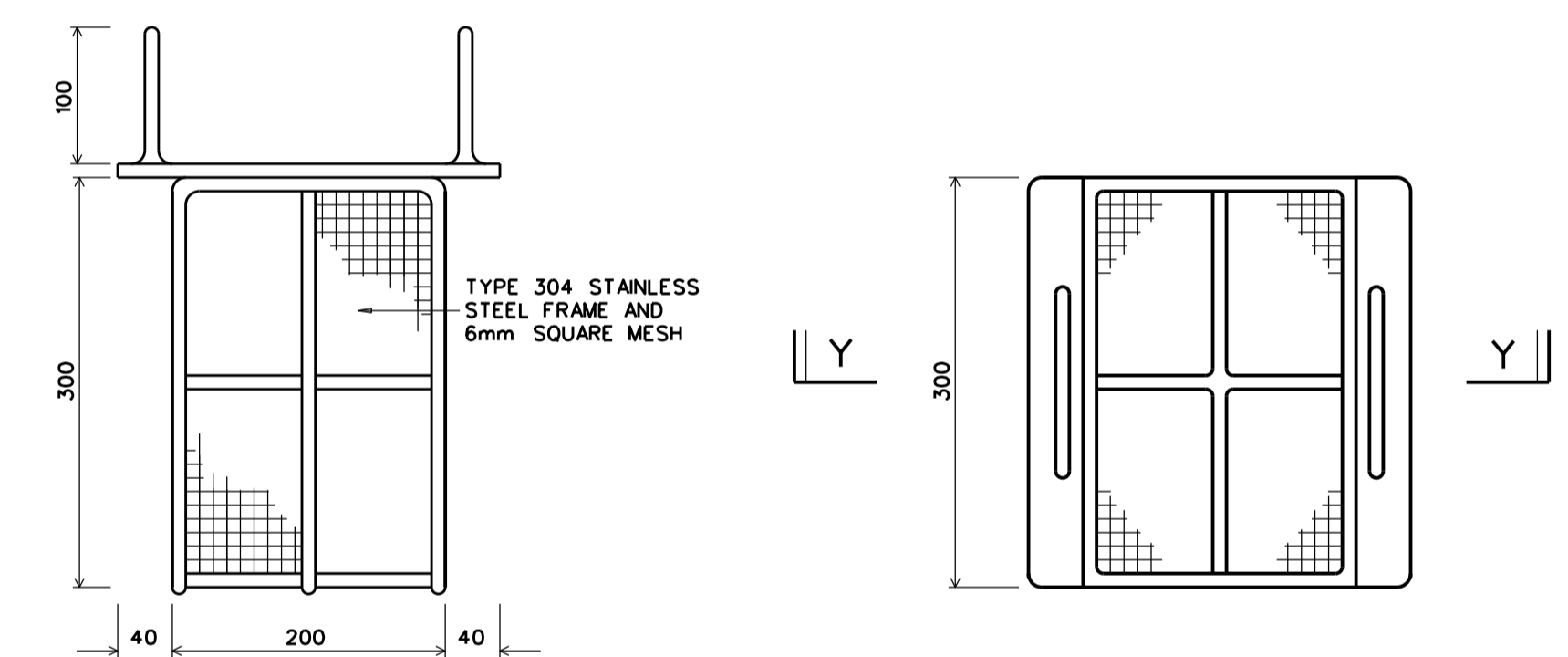
SECTION D-D



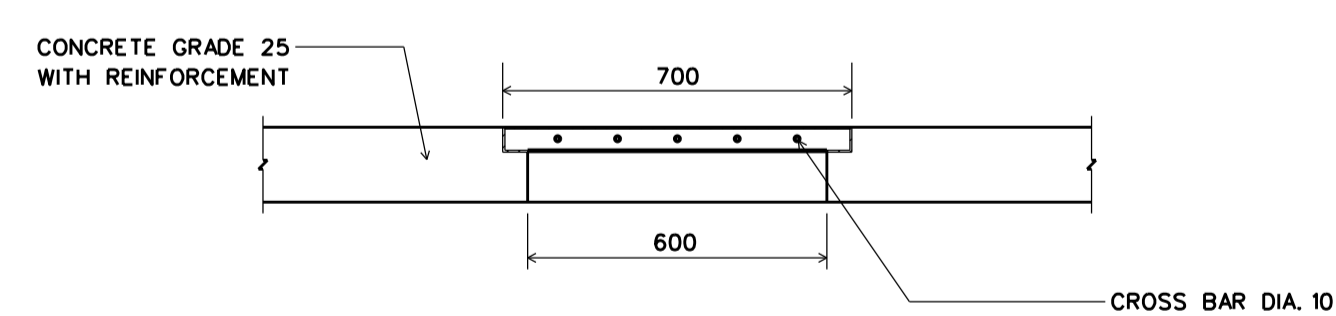
SECTIONAL PLAN A-A



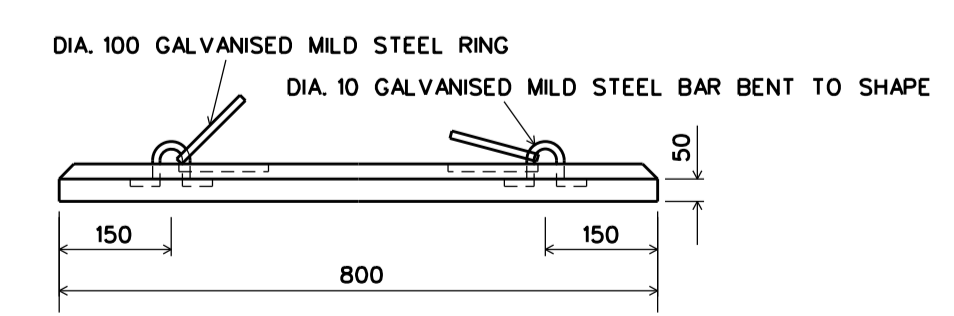
PLAN VIEW



SECTION Y-Y
DETAILS OF STAINLESS STEEL STRAINER BUCKET
SCALE 1 : 5



SECTION E-E



DETAILS OF PRECAST COVER SLAB WITH LIFTING RING
SCALE 1 : 10

NOTES

1. THE CIRCULAR GREASE TRAP SHALL BE INSTALLED AT THE PLACE WHERE IT IS NOT SUBJECTED TO VEHICULAR LOAD.
2. INFLOW TO THE GREASE TRAP SHALL BE FROM COVERED AREA I.E. NO RAIN WATER IS TO BE DISCHARGED INTO THE GREASE TRAP.
3. THE OWNER/DEVELOPER SHOULD MAINTAIN THE GREASE TRAP REGULARLY SO AS TO ENSURE THAT NO GREASE OR OIL IS DISCHARGED INTO THE SEWER.
4. OIL, GREASE, SLUDGE ETC. COLLECTED IN THE GREASE TRAP SHALL BE REMOVED AND DISPOSED OF IN A MANNER ACCEPTABLE TO THE COMPETENT AUTHORITIES.
5. SCREENINGS SHALL BE REMOVED BY EMPTYING THE STRAINER DAILY AND DISPOSED OF IN A MANNER ACCEPTABLE TO THE COMPETENT AUTHORITIES.

SCALES
1 : 15
UNLESS
OTHERWISE
STATED

STANDARD GREASE TRAP FOR SMALL EATING STALLS