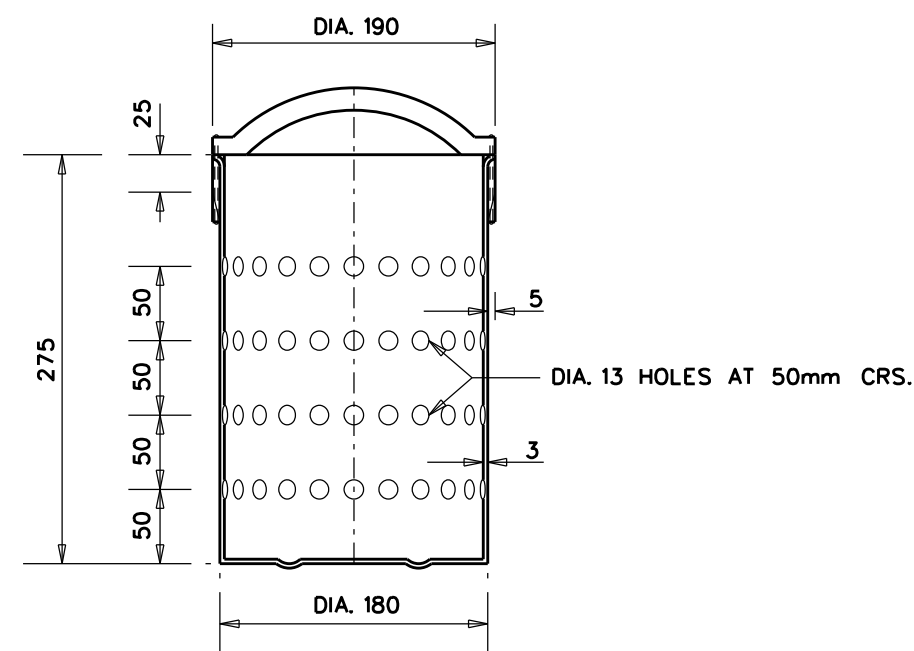
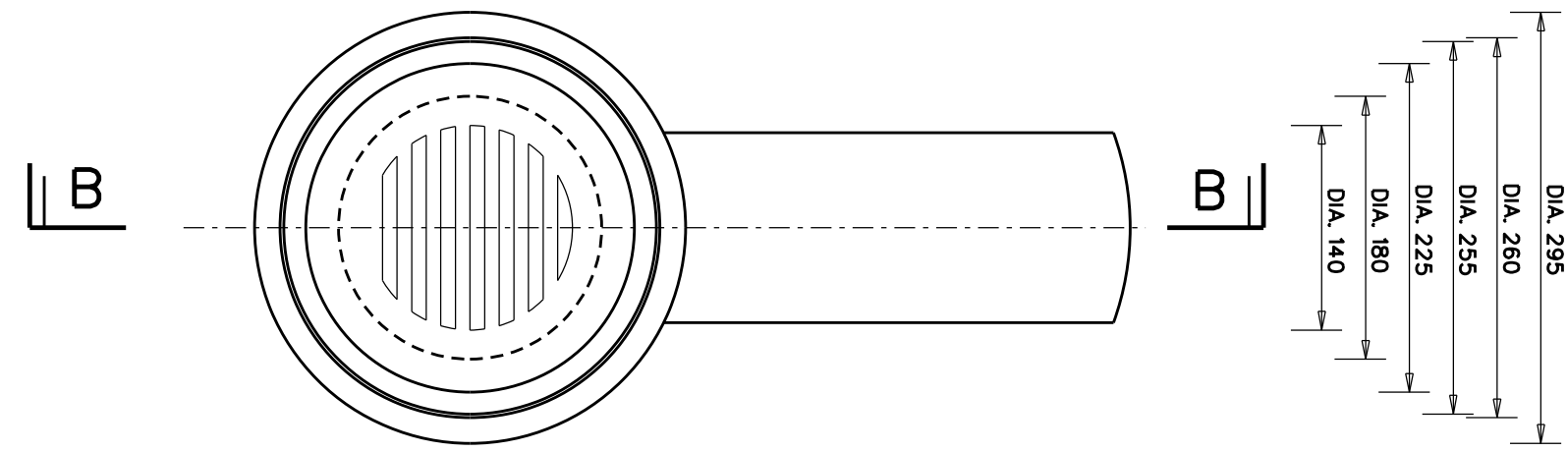


PLAN

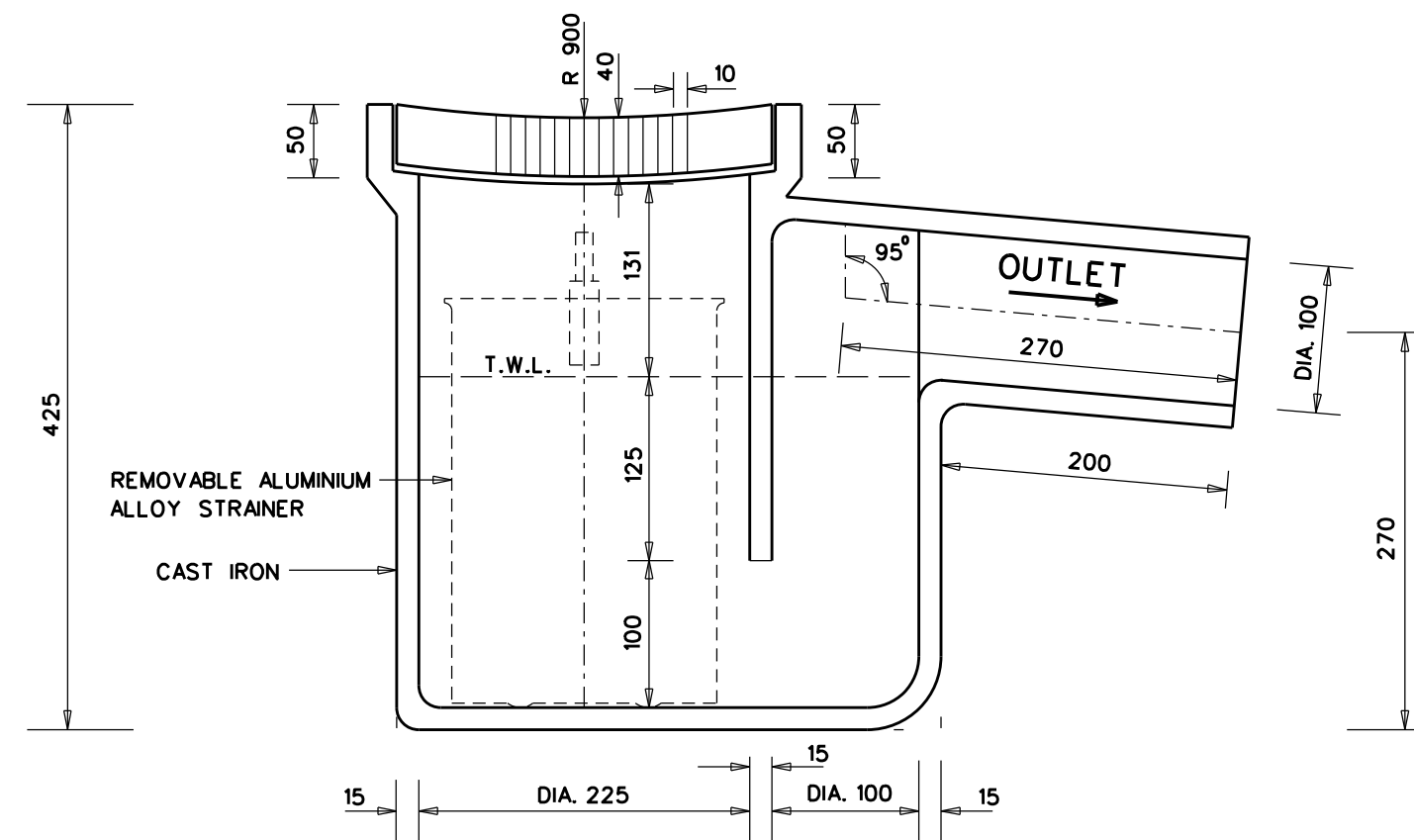


SECTION A-A

ALUMINIUM ALLOY STRAINER



PLAN



SECTION B-B

CAST IRON GULLY TRAP

NOTES:

1. THICKNESS OF THE CAST IRON GULLY TO BE MINIMUM 15 mm.

SCALES

1 : 5
(A2)

CAST IRON GULLY TRAP FOR BIN / REFUSE-CENTRE

OPUB SINGAPORE'S NATIONAL WATER AGENCY
WATER RECLAMATION (NETWORK) DEPARTMENT

DRG. NO. PUB/WRN/STD/044A