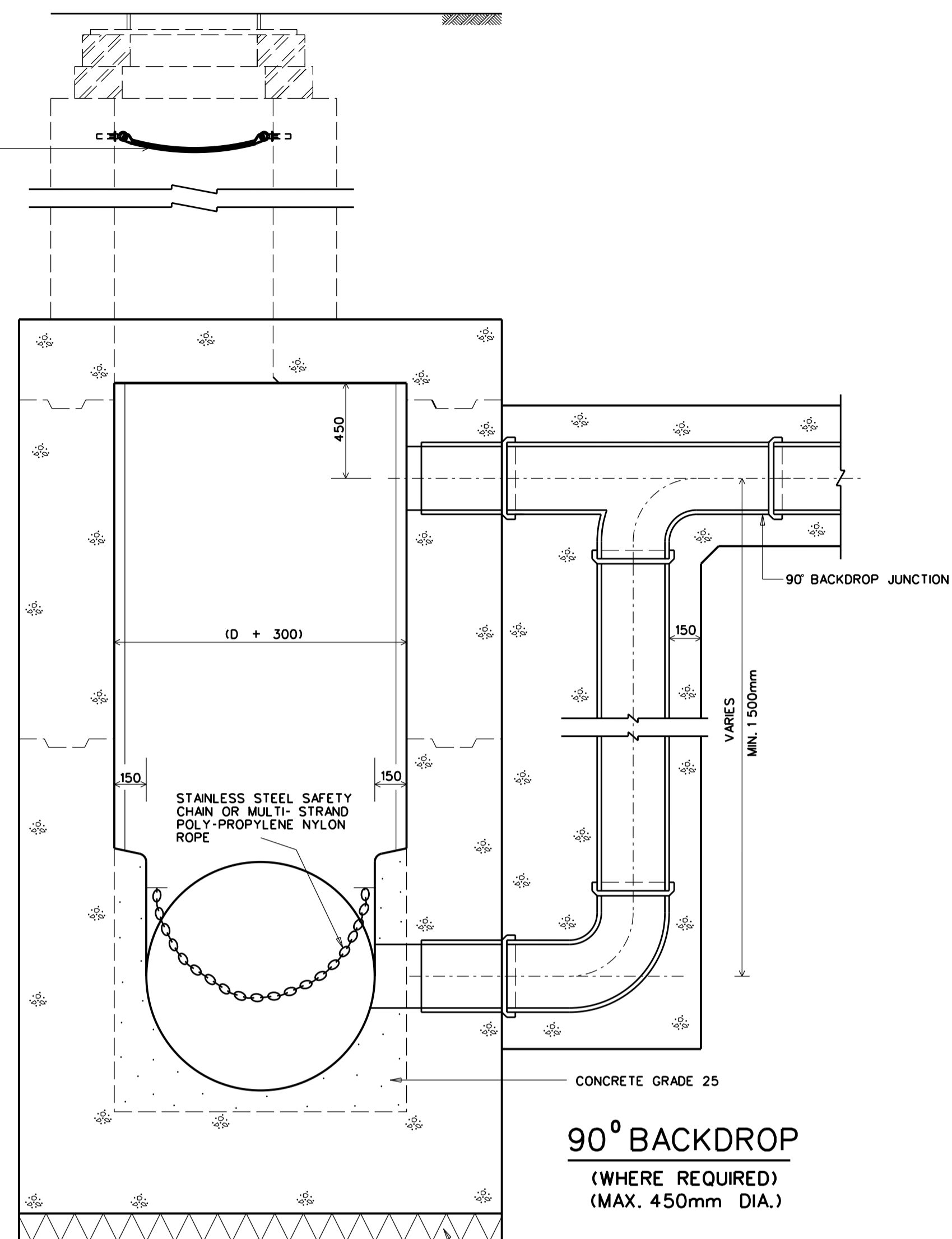


**SECTION A-A**

BREAK JOINTS TO BE PROVIDED AT PIPE JOINTS NOT GREATER THAN 6m INTERVALS AND AT THE 1st & 2nd PIPE JOINT NEXT TO MANHOLE

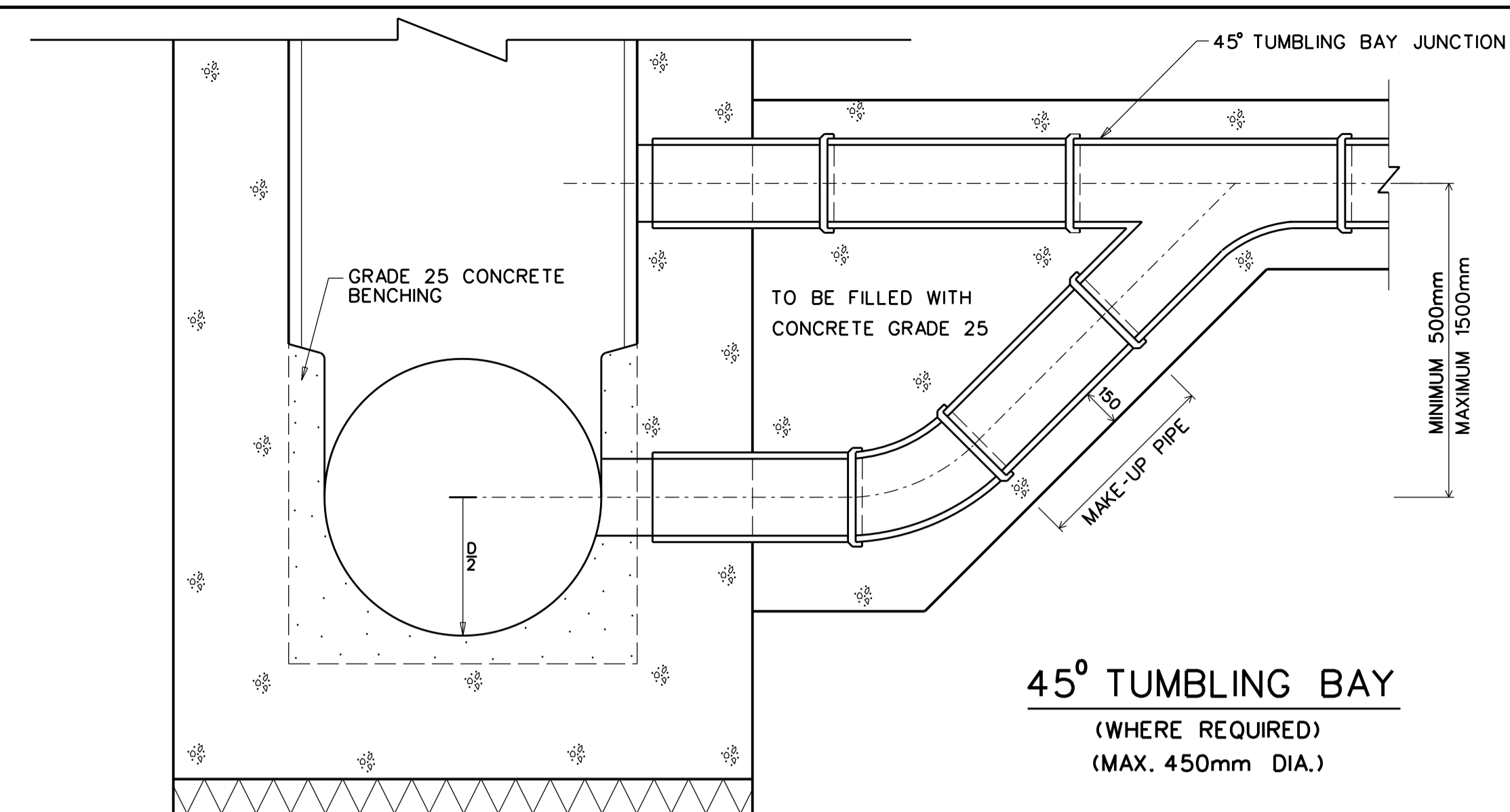
DETAILS OF MULTISTRAND POLY-PROPYLENE NYLON ROPE NETTING REFER TO (DWG NO. PUB/WRN/STD/008)



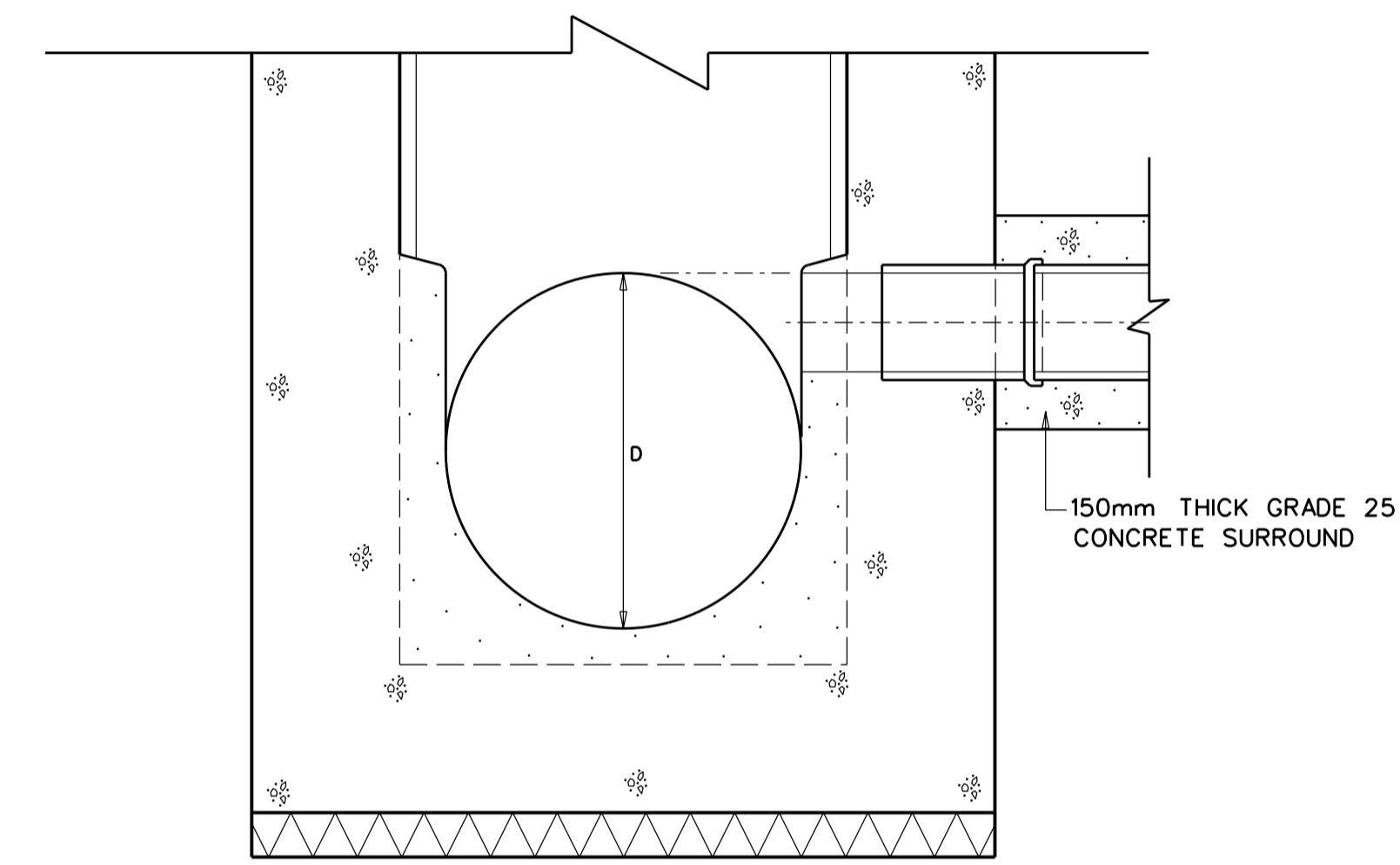
**SECTION B-B**

**90° BACKDROP**  
(WHERE REQUIRED)  
(MAX. 450mm DIA.)

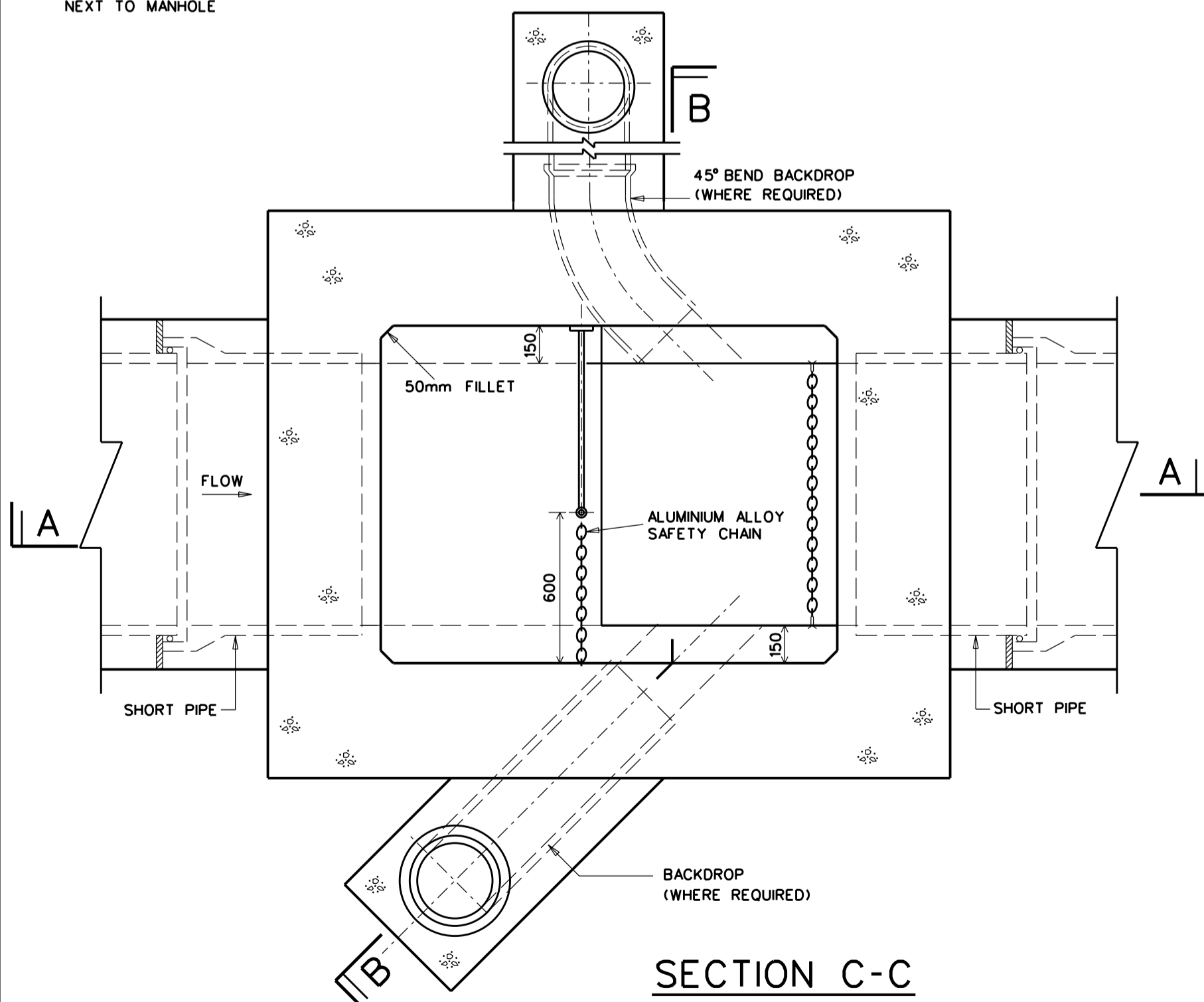
PILES AND FOUNDATION TO ENGINEER'S DETAILS



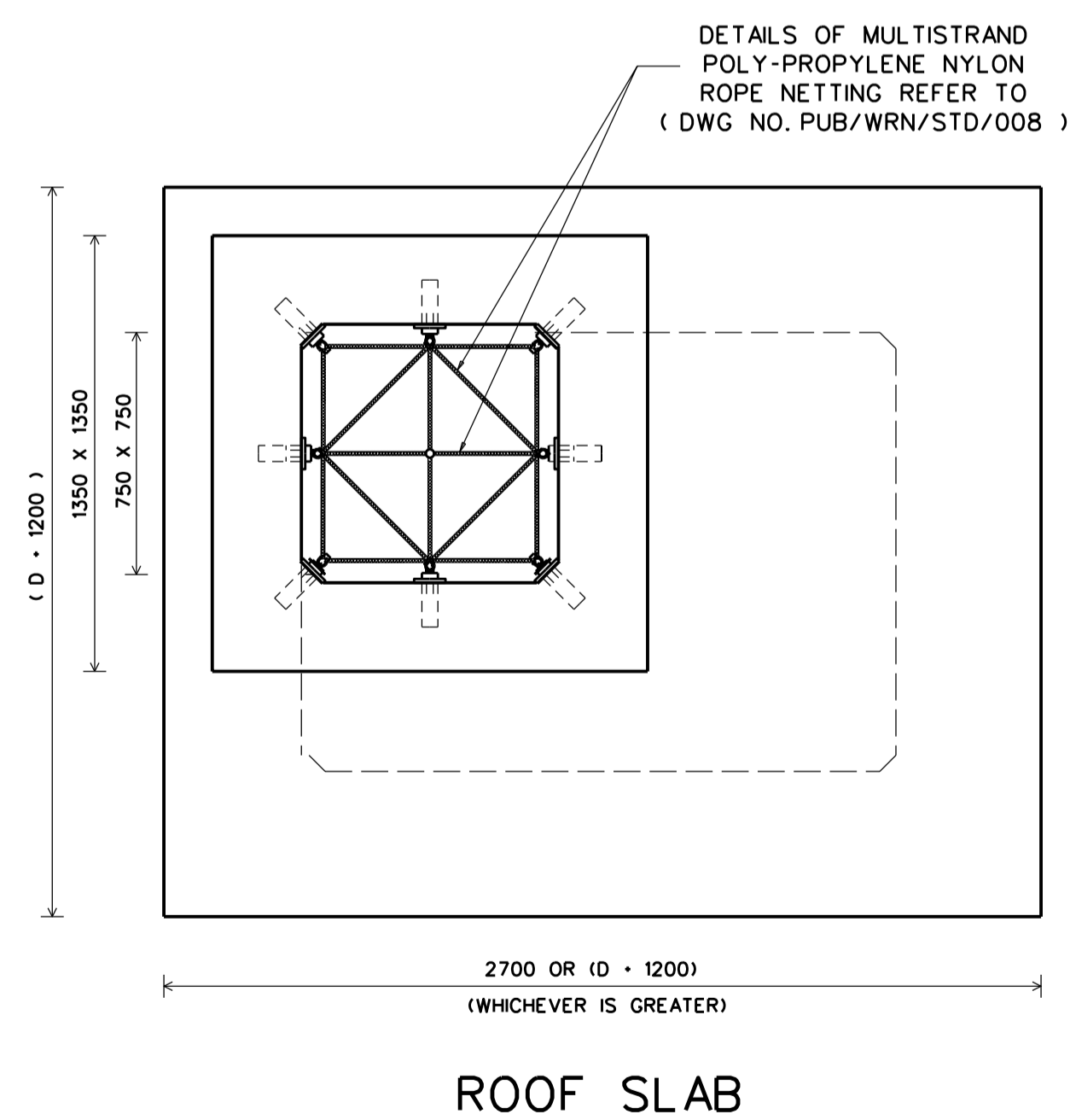
**45° TUMBLING BAY**  
(WHERE REQUIRED)  
(MAX. 450mm DIA.)



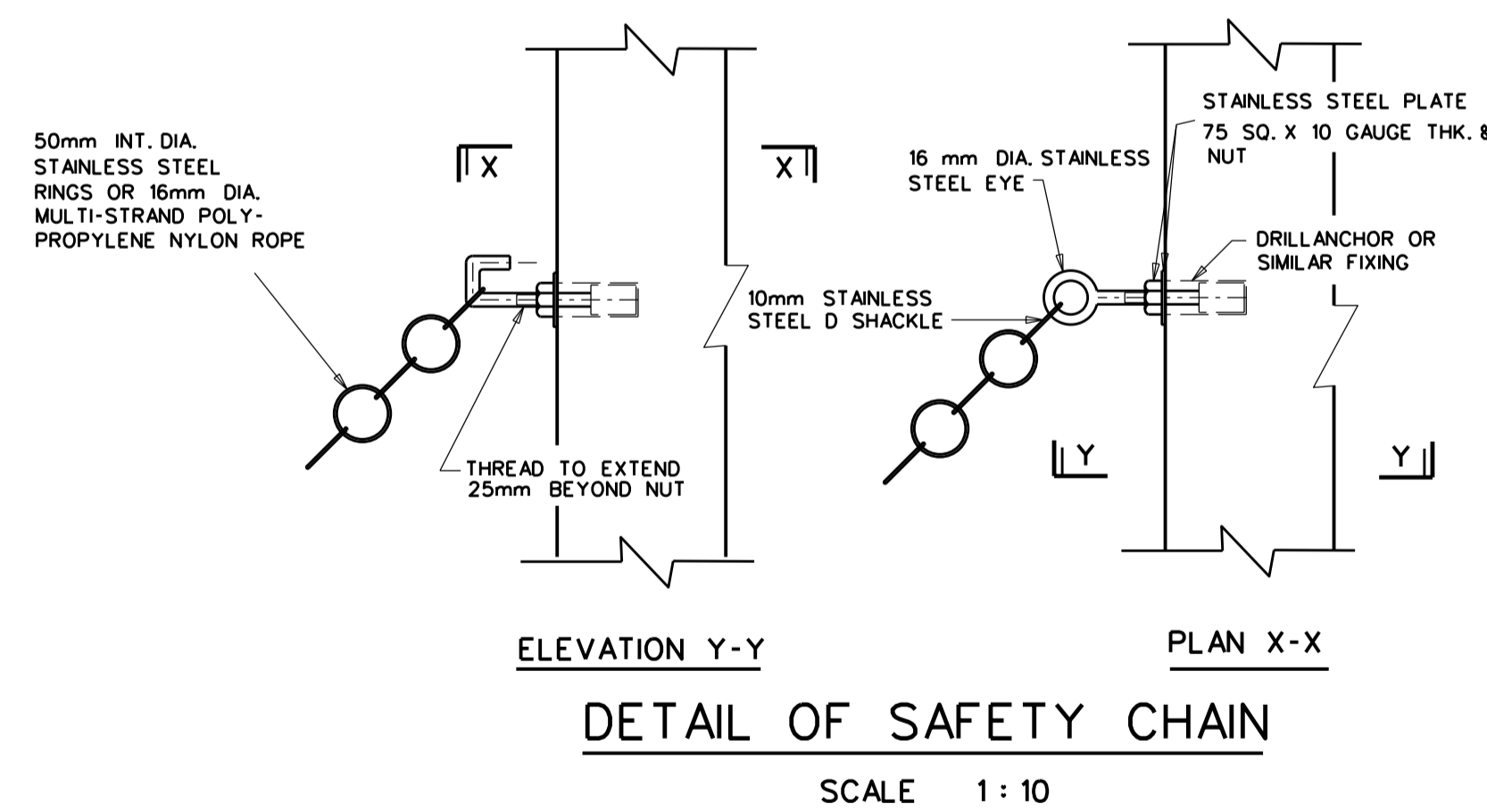
**STRAIGHT IN CONNECTION**  
(WHERE REQUIRED)



**SECTION C-C**



**ROOF SLAB**



**DETAIL OF SAFETY CHAIN**

SCALE 1:10

**NOTES.**

1. UNLESS OTHERWISE STATED, ALL CONCRETE MIX TO BE GRADE 25 AND ABOVE.
2. BENCHING TO BE IN GRADE 25 CONCRETE.
3. ALL STEEL REINFORCING BARS TO HAVE MIN. 50mm COVER.
4. PIPES SHOULD END 75mm SHORT OF MANHOLE INTERNAL WALL.
5. MANHOLES EXCEEDING 6.0m DEEP TO INVERT, SHALL BE DESIGNED SEPARATELY.