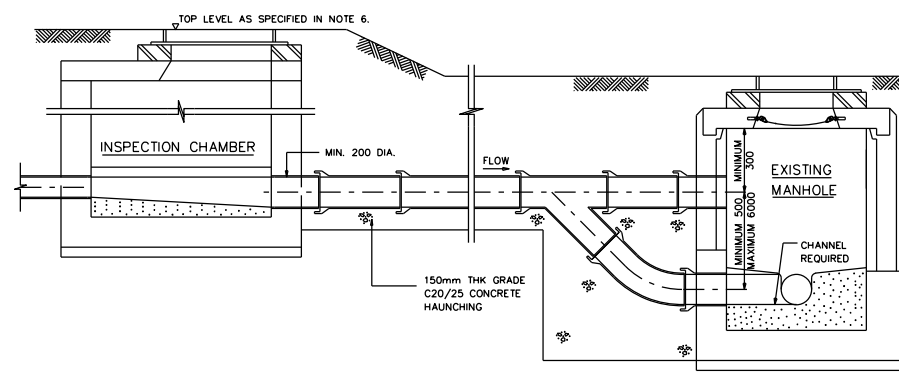
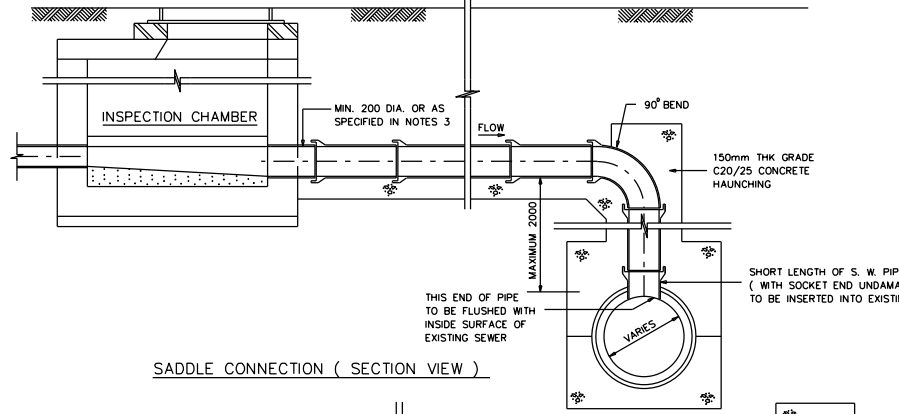


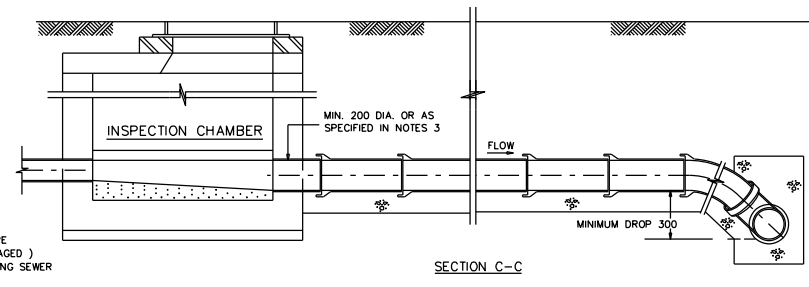
CONNECTION TO MANHOLE (SECTION VIEW)



- NOTES**
- UNLESS OTHERWISE STATED, ALL STRUCTURAL CONCRETE GRADE SHALL BE MINIMUM C28/35.
 - LEVELS AND ALIGNMENTS ARE TO BE CHECKED BEFORE WORK COMMENCES.
 - THE DIAMETER OF PIPE CONNECTING TO THE SEWER VIA A RAISED OR "Y" JUNCTION SHALL NOT BE GREATER THAN THE DIAMETER OF THE SEWER.
 - FOR RETROFITTED RAISED JUNCTION AND "Y" JUNCTION THE SPIGOT END OF THE NEW JUNCTION SHALL BE CONNECTED TO THE EXISTING SEWER USING A STAINLESS STEEL COLLAR JOINT TO EN295 PART 4 SPECIFICATION. EXISTING SEWER AND INTERNAL LINER PRESENT, SHALL BE NEATLY CUT USING CIRCULAR SAW.
 - SADDLE CONNECTION SHALL NOT BE USED FOR RETROFITTED CONNECTION IF THE EXISTING SEWER HAS AN INTERNAL LINER. A NEW MANHOLE CONNECTION WITH TUMBLING BAY OR BACKDROP SHALL BE USED INSTEAD.

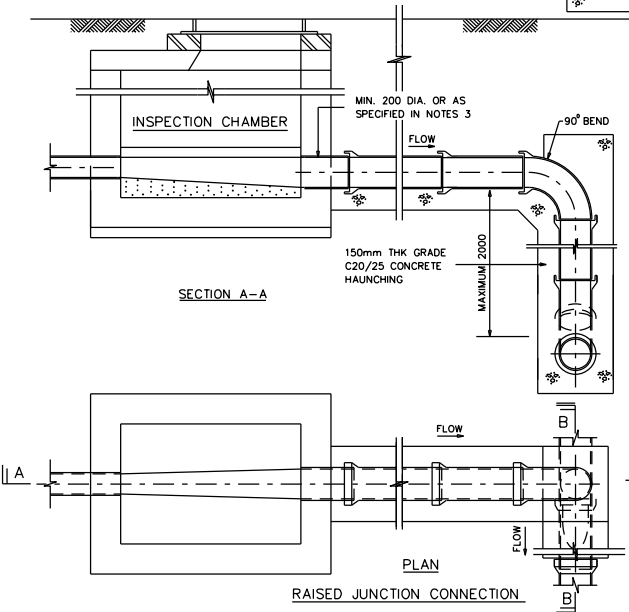


SADDLE CONNECTION (SECTION VIEW)

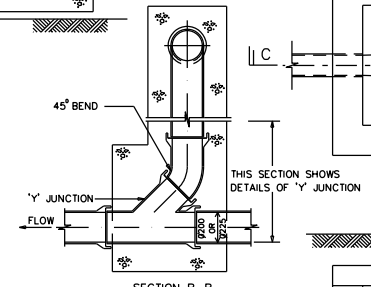


SECTION C-C

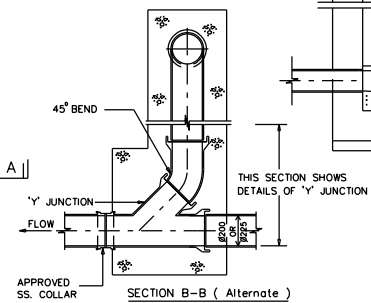
- POINT OF CONNECTION TO PUBLIC SEWER/MANHOLE
A SANITARY DRAINLINE SHALL BE CONNECTED TO ONLY THE PUBLIC SEWER AND AT A POINT APPROVED BY PUB. THE CONNECTION SHALL COMPLY WITH THE BELOW REQUIREMENTS:
 - IF USED WATER FROM THE PREMISES IS DISCHARGED VIA SANITARY DRAINLINE TO THE SEWER BY GRAVITY, THE FLOOR LEVEL OF THE HOUSE AND THE LEVELS OF THE SANITARY APPLIANCES, FLOOR TRAPS AND INSPECTION CHAMBERS (USUALLY ON THE COMPOUND) SHALL BE CONSTRUCTED SUITABLY HIGHER THAN THE TOP LEVEL OF THE MANHOLE TO WHICH THE SANITARY DRAINLINE IS CONNECTED. THIS IS TO AVOID BACKFLOW TO THE PROPERTY IN THE EVENT OF HIGH USED WATER LEVEL IN THE SEWER DUE TO SEWER BLOCKAGE.
 - IF THE CONDITIONS IN PARAGRAPH (a) ABOVE CANNOT BE ACHIEVED, THEN A PUMPING/EJECTOR SYSTEM SHALL BE INSTALLED SUCH THAT USED WATER FROM THE PREMISES IS DISCHARGED TO THE PUBLIC SEWER BY PUMPING.
 - USED WATER COLLECTED IN THE BASEMENTS OR OTHER LOCATIONS IN THE HOUSE, WHERE THE FLOOR LEVEL IS LOWER THAN THE TOP LEVEL OF THE MANHOLE TO WHICH THE SANITARY DRAINLINE IS CONNECTED, SHALL BE DISCHARGED TO THE INSPECTION CHAMBER AT GROUND LEVEL BY MEANS OF SEWAGE EJECTOR OR OTHER APPROPRIATE PUMPING SYSTEM.



SECTION A-A

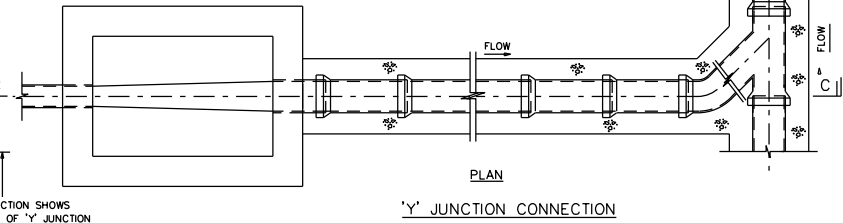


SECTION B-B

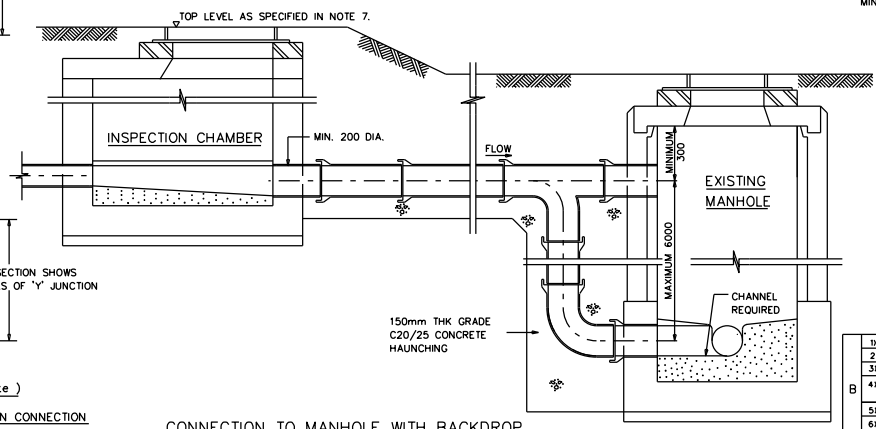


SECTION B-B (Alternate)

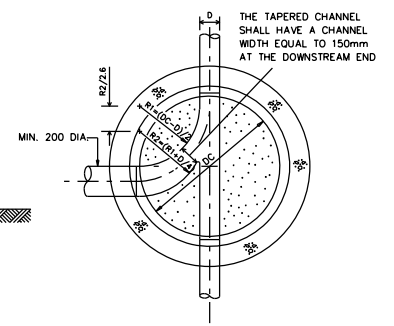
RAISED JUNCTION /Y-JUNCTION CONNECTION RETROFITTED TO EXISTING SEWER



"Y" JUNCTION CONNECTION



CONNECTION TO MANHOLE WITH BACKDROP



DETAILS OF BENCHING 200mm CONNECTION TO 150mm SEWER

- NOTES REVISED.
 - DROP PIPE OF BACKDROP AND TUMBLING BAY REVISED TO ALIGN AT PIPE CROWN.
 - ALLOWABLE HEIGHT FOR TUMBLING BAY AND BACKDROP REVISED.
 - NOTE ON LARGER PIPE CONNECTS TO SMALLER PIPES AT 0.8 DIAMETER OF SMALLER PIPE REMOVED.
 - UPDATE BEND ANGLE.
 - MINIMUM CONCRETE GRADE REVISED.
 - CONCRETE HAUNCHING AT TUMBLING BAY REVISED.
- AMENDMENTS

ISSUED : APR 2005
LAST REVIEWED : JAN 2019

SCALES
1 : 20
UNLESS OTHERWISE STATED

STANDARD DETAILS OF SEWER CONNECTIONS

(ORIGINAL BORDER SIZE 810mm X 565mm)