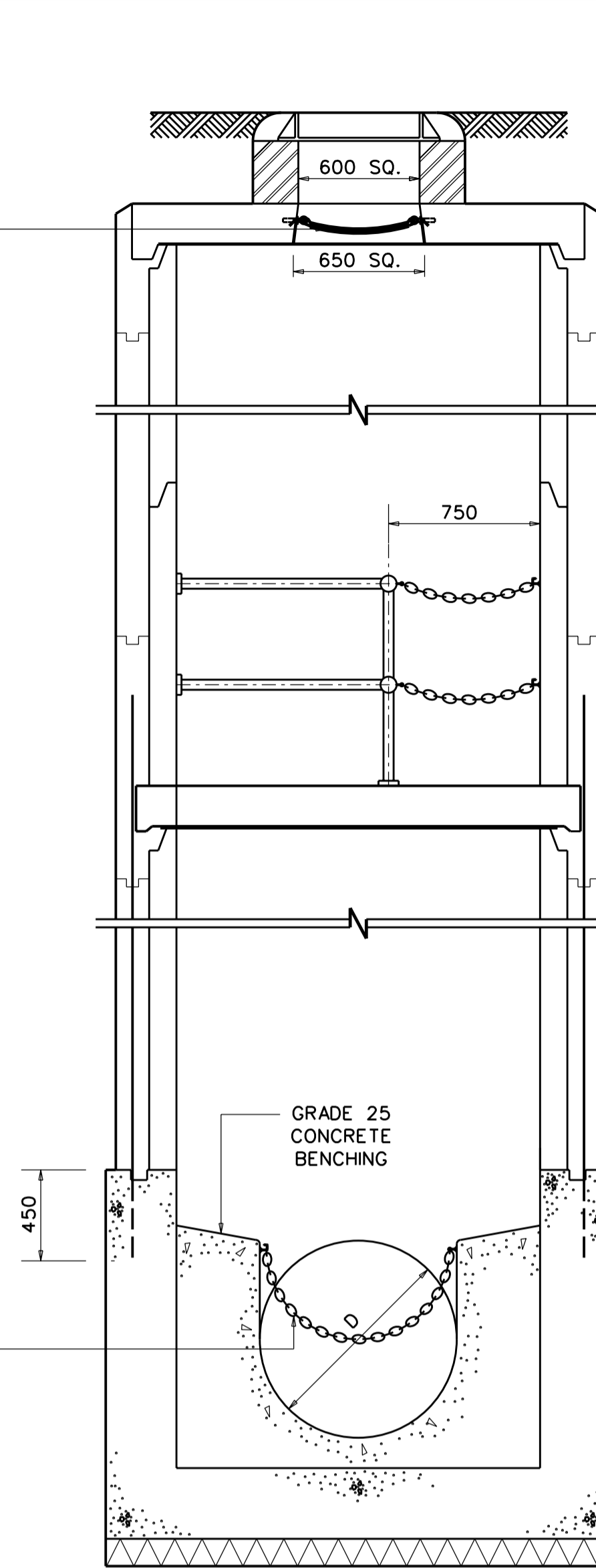
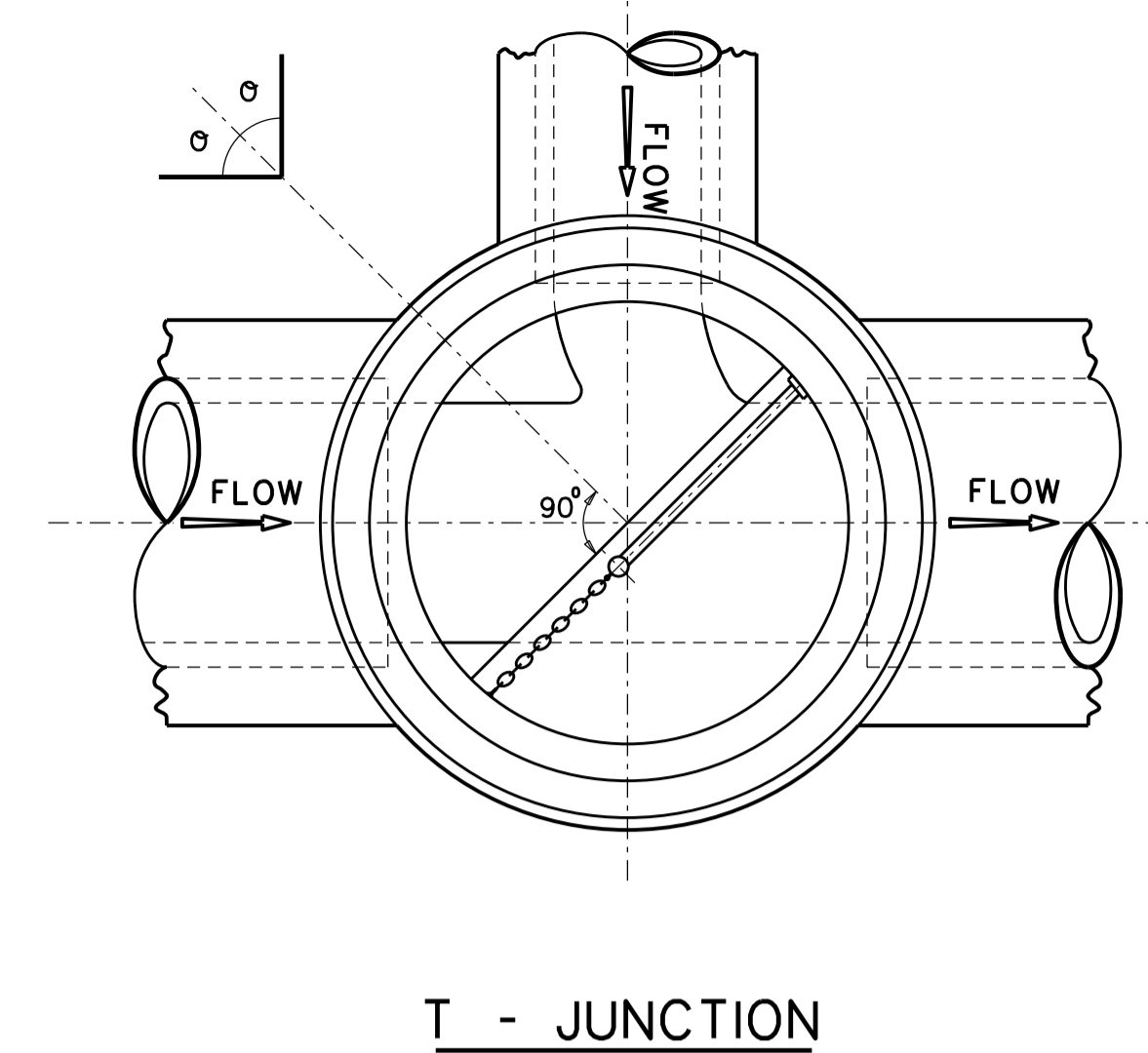


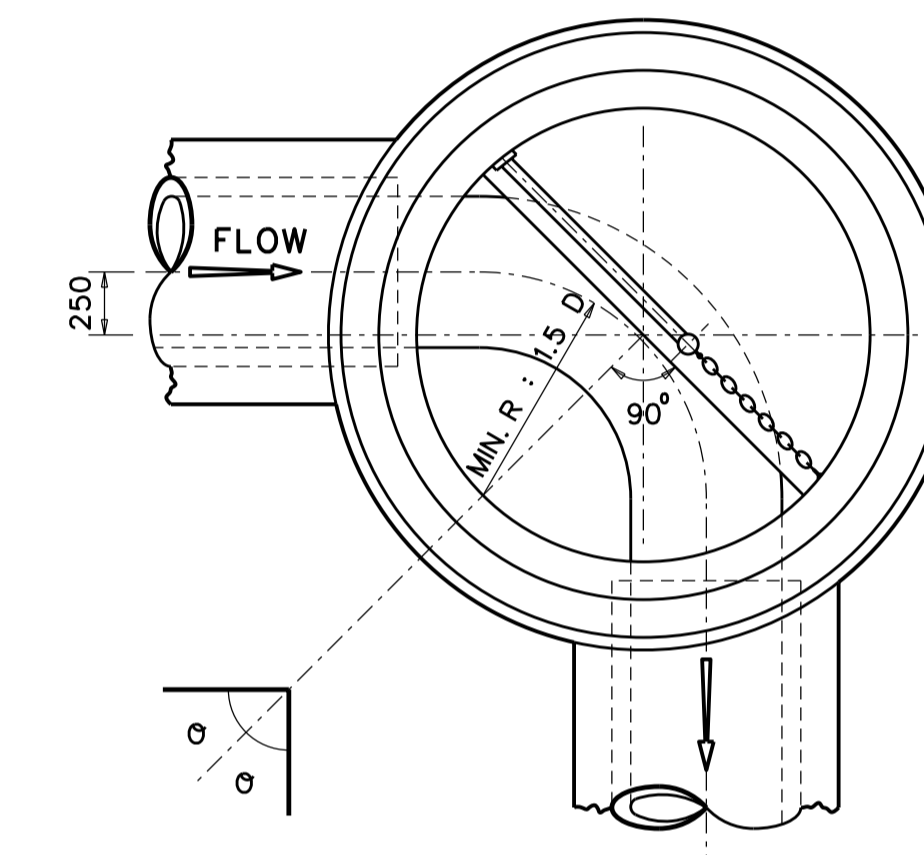
SECTION A-A



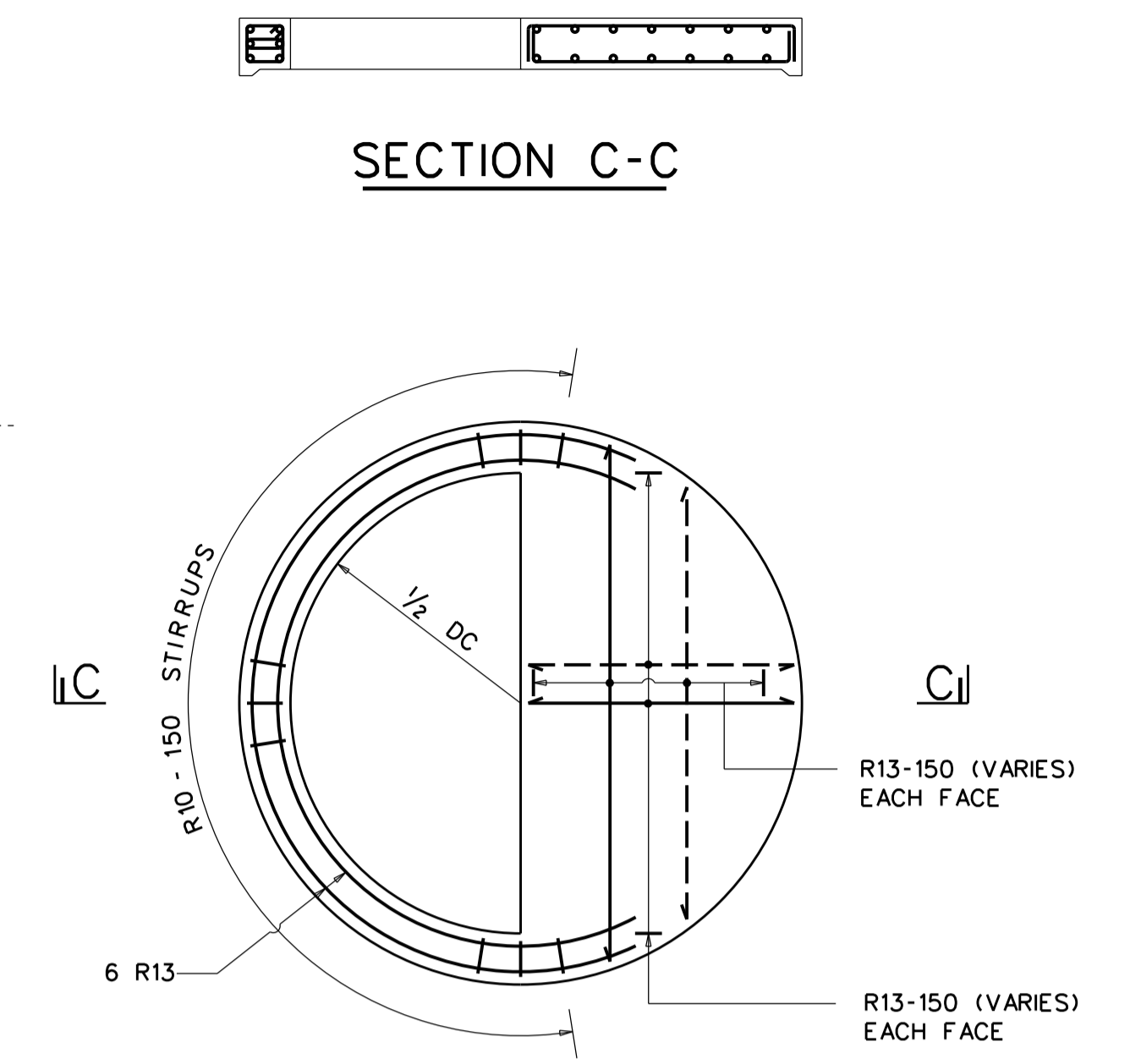
SECTION B-B



T - JUNCTION

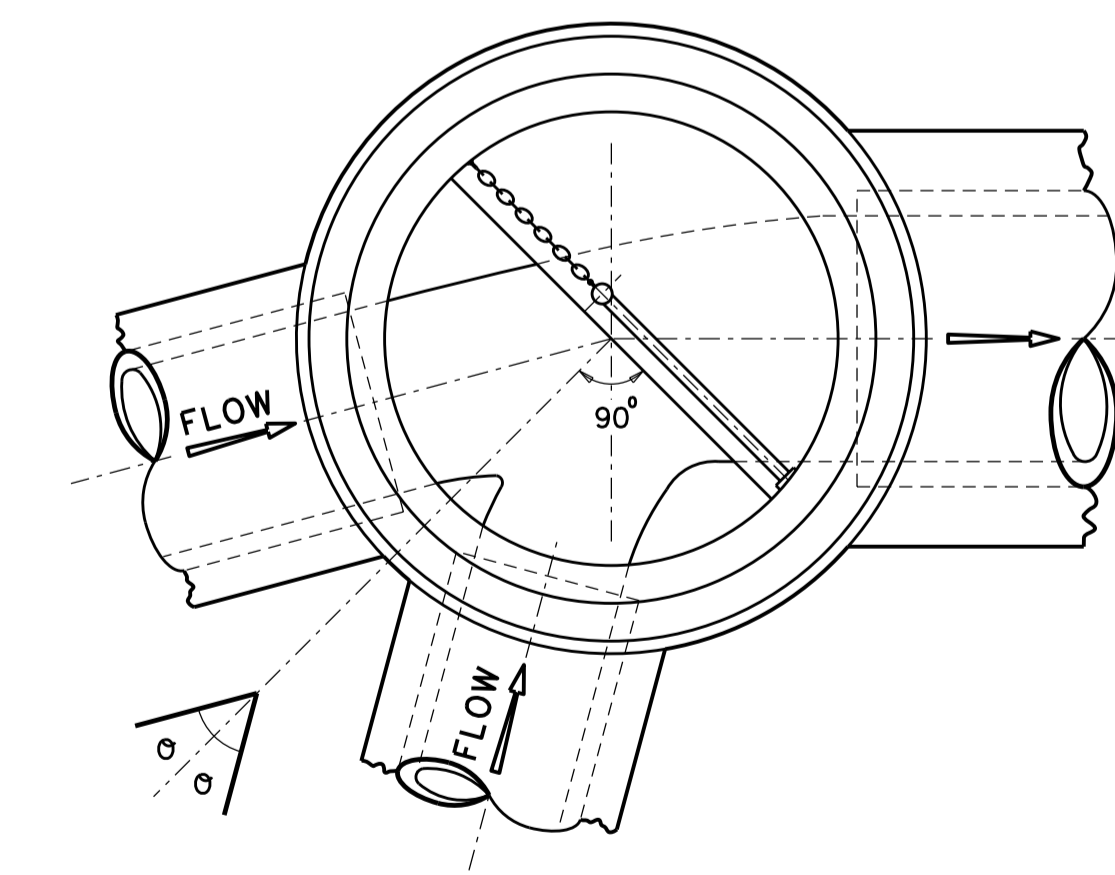
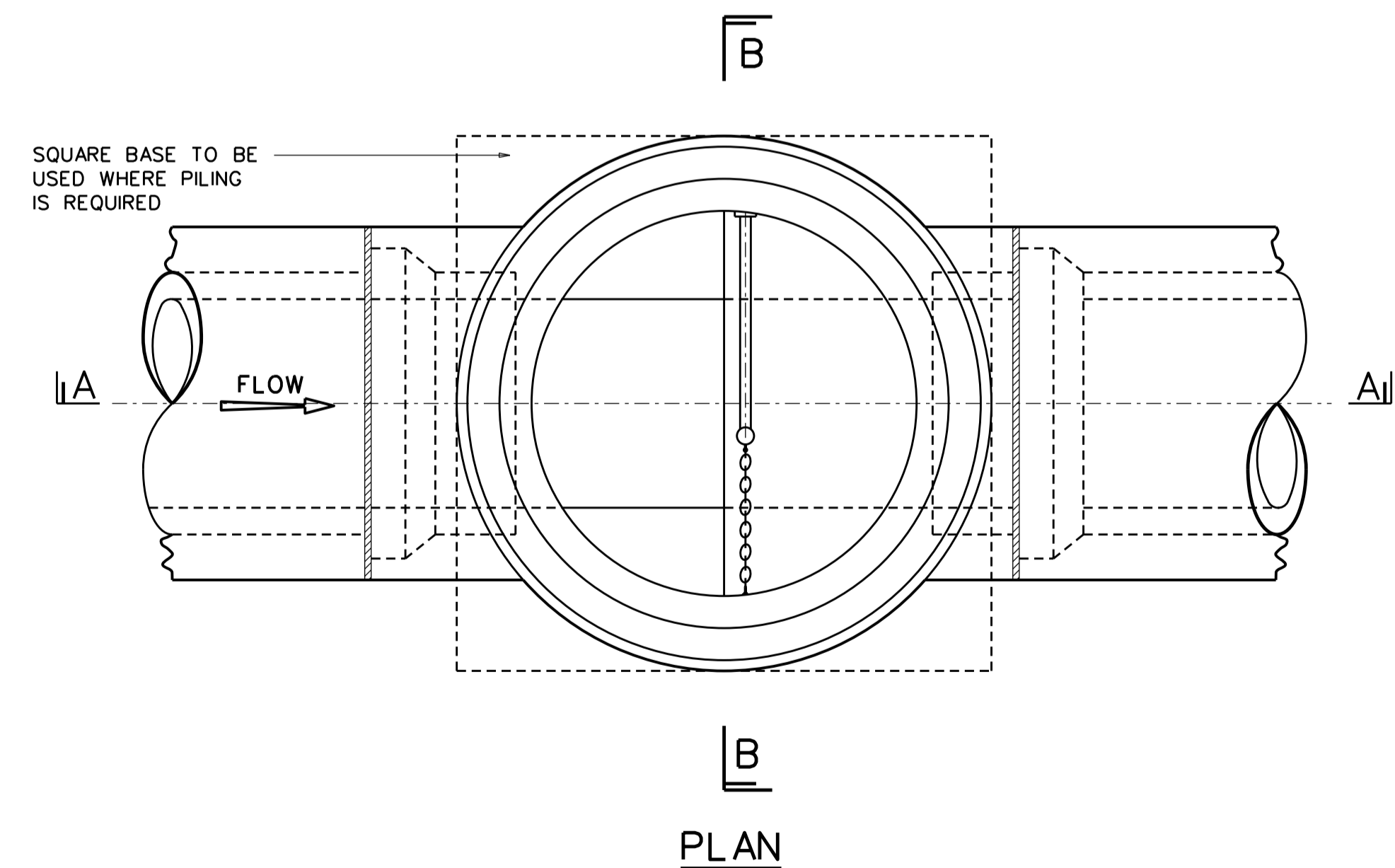


90° BEND
(UP TO 600mm DIA. PIPE)



DETAILS OF PRECAST R.C. INTERMEDIATE PLATFORM

D	DC	M
200 & 250	1500	75
300 & 400	1500	130
450 & 700	1800	130
750 & 1000	1800	150



Y - JUNCTION
PLAN VIEW-ARRANGEMENT OF INTERMEDIATE PLATFORM

SCALE 1 : 30

NOTES :

1. ALL CONCRETE COVER TO STEEL REINFORCEMENT IS TO BE 50mm.
2. FOR ALL SEWERS OVER 675mm DIAMETER SAFETY CHAINS/ROPES ARE TO BE PROVIDED AT THE ENTRANCE OF THE DOWNSTREAM PIPE.
3. BENCHINGS TO MANHOLES TO BE TROWELLED TO THE SOFFIT OF THE OUTGOING SEWER RISING BY 75mm TO THE MANHOLE WALLS. CURVED AND JUNCTION BENCHINGS TO BE FORMED TO A RADIUS ON THE CENTRE LINE OF CHANNEL OF NOT LESS THAN 1 1/2 D FOR LARGE DEGREE BENDS AND MULTIPLE JUNCTIONS MANHOLE, SPECIAL MANHOLES ARE REQUIRED.
4. MANHOLE COVER SHALL BE LAID FLUSH WITH PAVED, TILED AND ROAD SURFACES. ON TURFED GROUNDS, THE MANHOLE COVER SHALL BE LAID 50mm HIGHER THAN THE SOIL LEVEL.