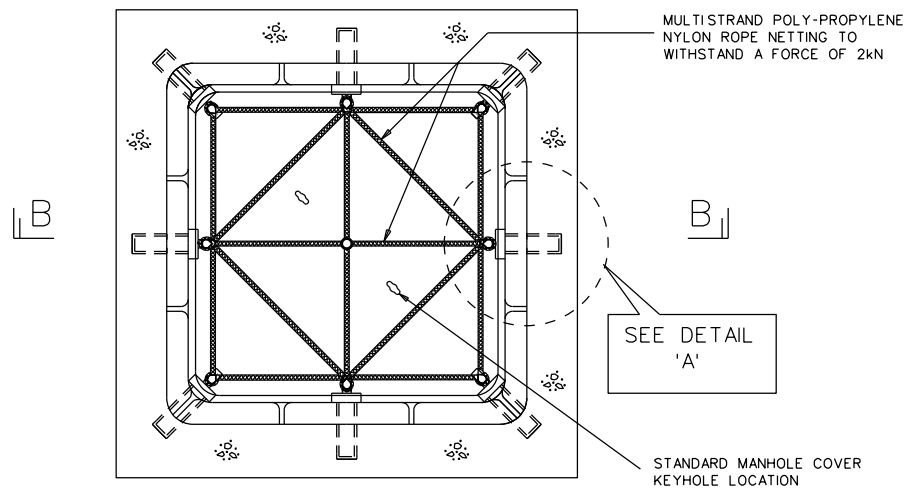
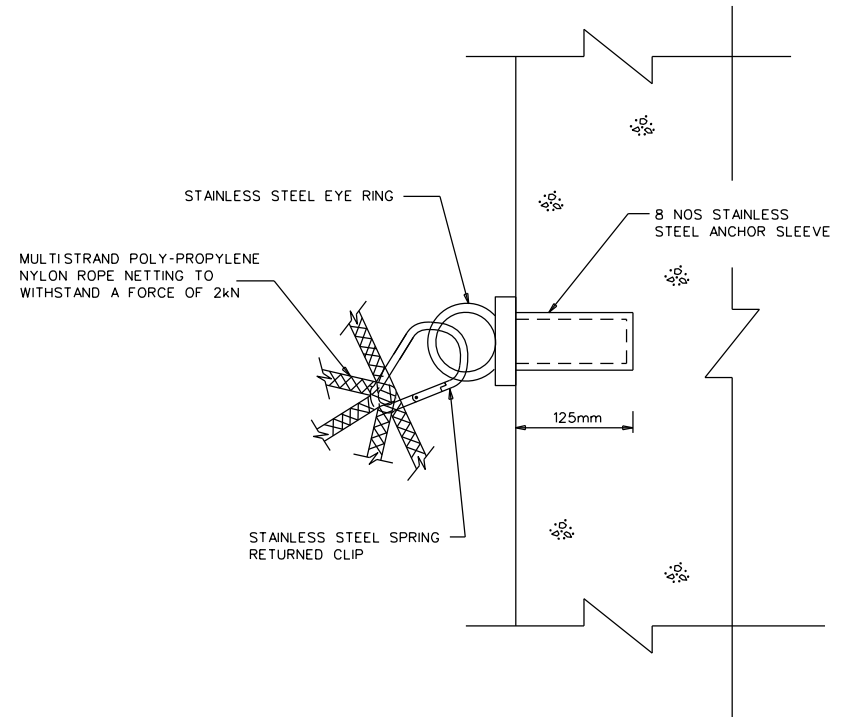


SECTION (B-B)



SECTIONAL PLAN (A-A)



DETAIL 'A'
PLAN VIEW

NOTE:
ALL STAINLESS STEEL ARE OF GRADE 316.

ISSUED : OCT 2009

REVIEWED : -

SCALES
N.T.S
UNLESS
OTHERWISE
STATED

DETAILS OF MULTISTRAND POLY-PROPYLENE NYLON ROPE NETTING

OPUB SINGAPORE'S NATIONAL WATER AGENCY
WATER RECLAMATION (NETWORK) DEPARTMENT

DRG. NO. PUB/WRN/STD/008