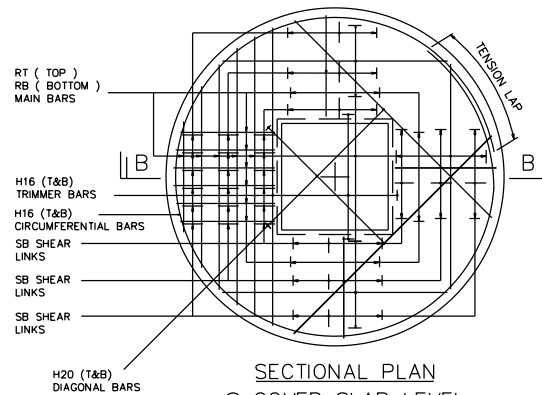
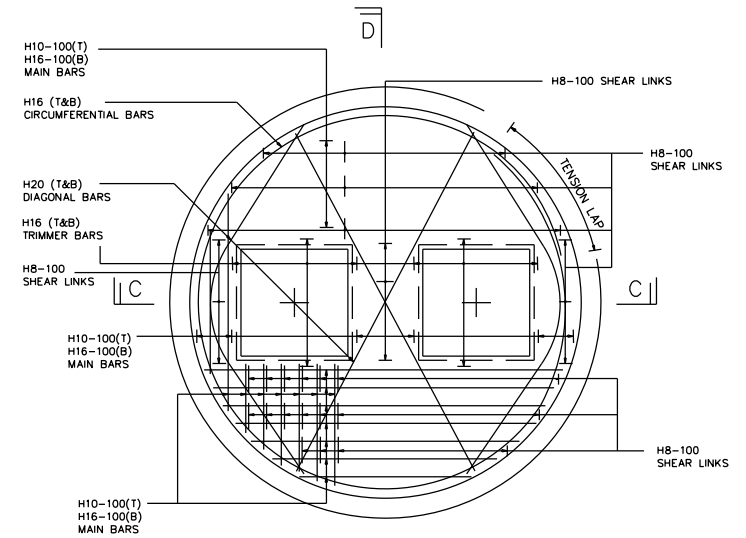


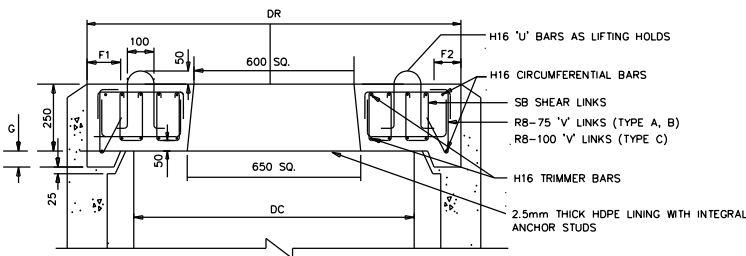
SECTIONAL PLAN
@ COVER SLAB LEVEL
TYPE A, B, C
SCALE 1 : 10



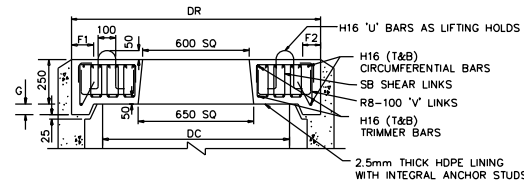
SECTIONAL PLAN
@ COVER SLAB LEVEL
TYPE D, E
SCALE 1 : 15



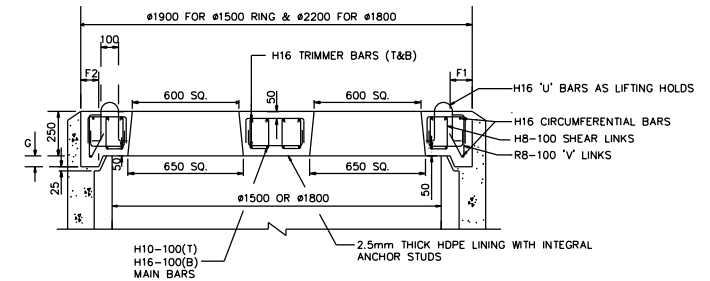
SECTIONAL PLAN
@ COVER SLAB LEVEL
SCALE 1 : 15



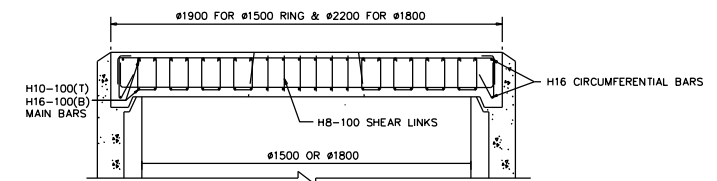
SECTION A-A
FOR DIA. 1050, 1200 & 1350 CHAMBER RINGS
TYPE A, B, C
SCALE 1 : 10



SECTION B-B
FOR DIA. 1500 & 1800 CHAMBER RINGS
TYPE D, E
SCALE 1 : 15



SECTION C-C
SCALE 1 : 15



SECTION D-D
FOR DIA. 1500 & 1800 CHAMBER RINGS WITH TWO OPENINGS
SCALE 1 : 15

	TYPE A	TYPE B	TYPE C	TYPE D	TYPE E
DC	1050	1200	1350	1500	1800
DR	1400	1550	1750	1900	2200
SLAB THICKNESS	250	250	250	250	250
F1	120	120	125	125	130
F2	100	100	100	100	100
G	60	65	65	75	75
MAIN BARS	RT(TOP)	H10-75	H10-75	H10-100	H10-100
	RB(BOTTOM)	H13-75	H13-75	H16-100	H16-100
SHEAR LINKS (SB)	4 Legs H8-75	4 Legs H8-75	4 Legs H8-100	6 Legs H8-100	6 Legs H8-100
DIAGONAL BARS	2H16	2H16	2H16	2H20	2H20
TRIMMER & CIRCUMFERENTIAL BARS	2H16	2H16	2H16	2H16	2H16

NOTES:

1. ALL STRUCTURAL CONCRETE GRADE SHALL BE MINIMUM C32/40 .
2. ALL CONCRETE COVER TO REINFORCEMENT SHALL BE MINIMUM 50mm DEPENDENT ON SOIL CONDITIONS.

1) DIMENSION INCLUDING THICKNESS REVISED.
2) REINFORCEMENT DETAILS REVISED.
3) SLAB WITH 2 OPENINGS DETAILS ADDED.

AMENDMENTS

ISSUED : APR 2005

LAST REVIEWED : JAN 2019

SCALES
1 : 10
UNLESS
OTHERWISE
STATED

PRECAST CONCRETE MANHOLE PARTS