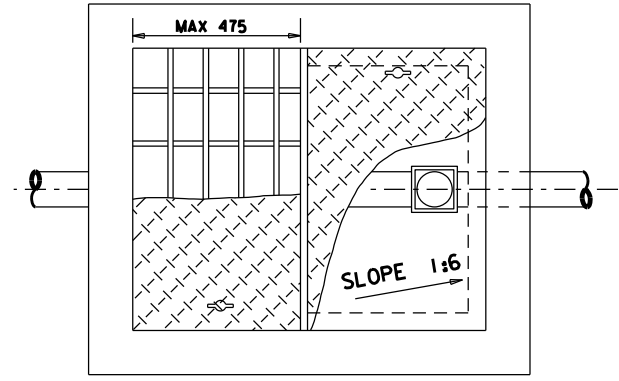


**PLAN VIEW OF SUMP WITH RC SLAB COVER**



**PLAN VIEW OF SUMP WITH CHEQUERED PLATE (WITH REMOVABLE SUPPORT FRAME) COVER**

- NOTES :**
- 1) Floor trap requirements :-
    - (a) Water Seal: min 50mm
    - (b) Passage clearance = dia of outlet (min 100mm)
    - (c) Dia of outlet min 100mm dia for direct connection to inspection chamber.
  - 2) Floor trap should be securely installed by embedding in concrete

ALL DIMENSIONS ARE IN mm.

**FLOOR TRAP WITH OR WITHOUT A SUMP (FOR CONNECTION TO INSPECTION CHAMBER)**