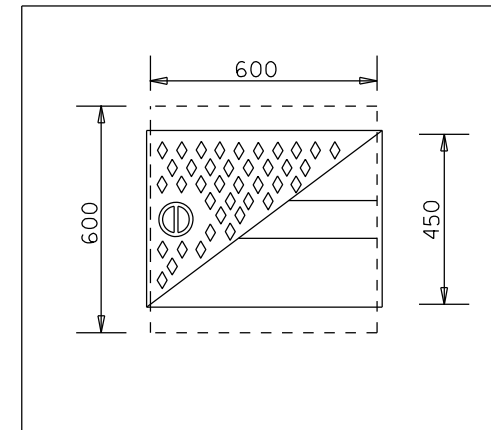


WASTE SUMP
SCALE 1 : 20



PLAN VIEW

NOTE:

WASTE SUMP : MIN 600mm x MIN 600mm

SUMP WITH TRAP : 900mm x 700mm
(CAST IRON GULLY TRAP WITH ALUMINIUM ALLOY STRAINER BUCKET - PUB/WRN/STD/044A)
(SEE DRAWING NO. 3-6a)

1. WASTE SUMP OF 600mm X 600mm SHALL BE PROVIDED WITH FRAME AND COVER. HOWEVER FOR SUMP OF 900mm X 700mm, REMOVABLE PRECAST CONCRETE SLAB, CHEQUERED PLATES OR FRAME AND COVERS SHALL BE PROVIDED. HEAVY DUTY FRAME AND COVER SHALL BE USED WHERE VEHICULAR LOAD IS EXPECTED.
2. ALL REINFORCED CONCRETE SHALL BE DESIGNED BY A PROFESSIONAL ENGINEER.
3. ALL BRICKWALL SHALL BE LAID AS MASONRY WALL TO EC6. MASONRY UNITS SHALL BE MINIMUM ENGINEERING BRICK CLASS B TO EN772 IN M12 MORTAR. LAID AS A SINGLE LEAF WALL. TOTAL VOLUME OF VERTICAL HOLES IN THE MASONRY UNITS SHALL NOT EXCEED 55% OF THE UNIT'S GROSS VOLUME. HORIZONTAL HOLES SHALL NOT BE PERMITTED.

ALL DIMENSIONS ARE IN mm.

ISSUED : MAR 2000	SCALES
REVIEWED : JAN 2019	NOT TO SCALE

**WASTE SUMP AT GROUND LEVEL
(FOR SULLAGE WATER DRAINAGE)**