


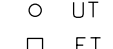
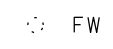


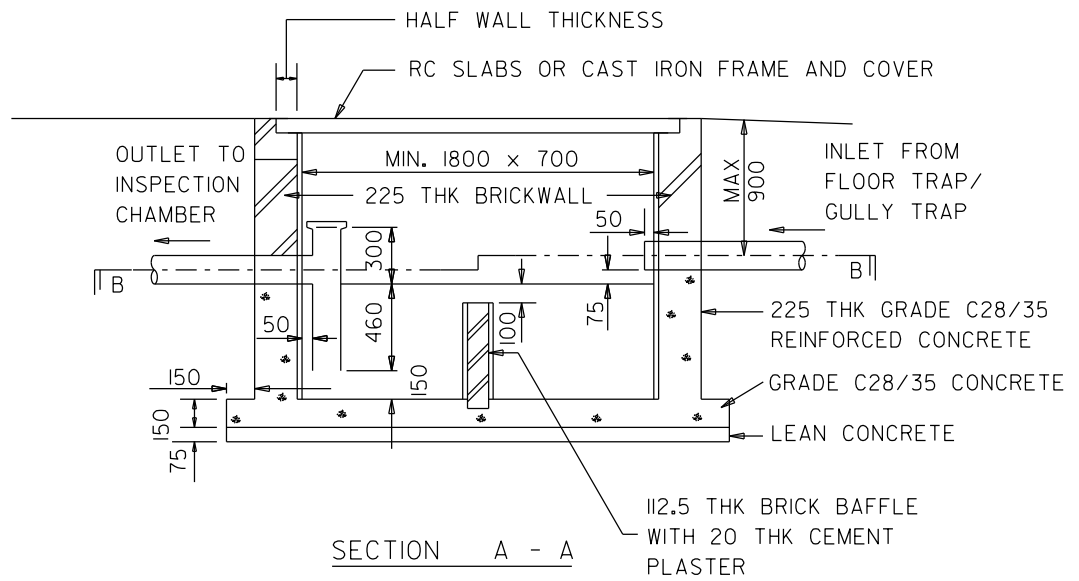
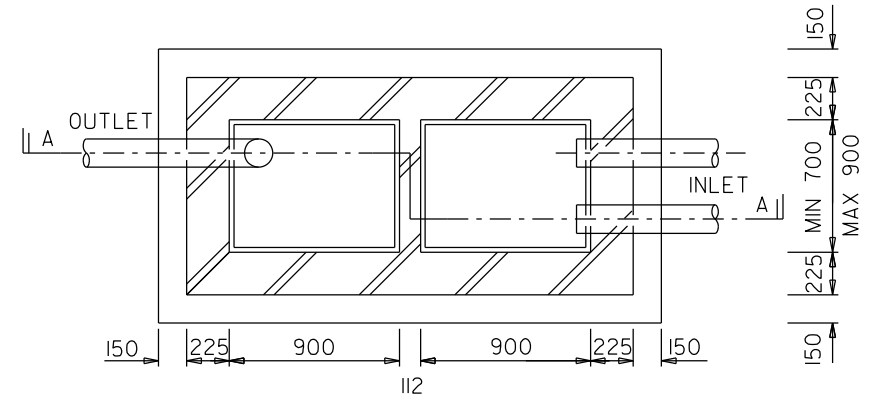


-  WC WATER CLOSET PAN
-  WB WASH BASIN
-  U URINAL
-  UT URINAL TRAP
-  FT FLOOR TRAP
-  FW FLOOR WASTE
-  SH SHOWER COMPARTMENT

LAYOUT OF TOILET



SECTION A - A



SECTION B - B

DETAILS OF SILT SUMP

LEGEND

1. TEMPORARY SEPTIC TANK IS NOT ALLOWED FOR USED IN SEWERED AREAS, WITHIN URBAN RIVER AND WATER CATCHMENT AREAS.
2. ALL REINFORCED CONCRETE SHALL BE DESIGNED BY A PROFESSIONAL ENGINEER.
3. ALL BRICKWALL SHALL BE LAID AS MASONRY WALL TO EC6. MASONRY UNITS SHALL BE MINIMUM ENGINEERING BRICK CLASS B TO EN772 IN M12 MORTAR, LAID AS A SINGLE LEAF WALL. TOTAL VOLUME OF VERTICAL HOLES IN THE MASONRY UNITS SHALL NOT EXCEED 55% OF THE GROSS VOLUME OF THE MASONRY UNIT. HORIZONTAL HOLES SHALL NOT BE PERMITTED.

ALL DIMENSIONS ARE IN mm.

ISSUED : MAR 2000	SCALES
REVIEWED : JAN 2019	NOT TO SCALE

SANITARY DRAINAGE SYSTEM FOR TOILET AT BEACH SITE / CONSTRUCTION SITE