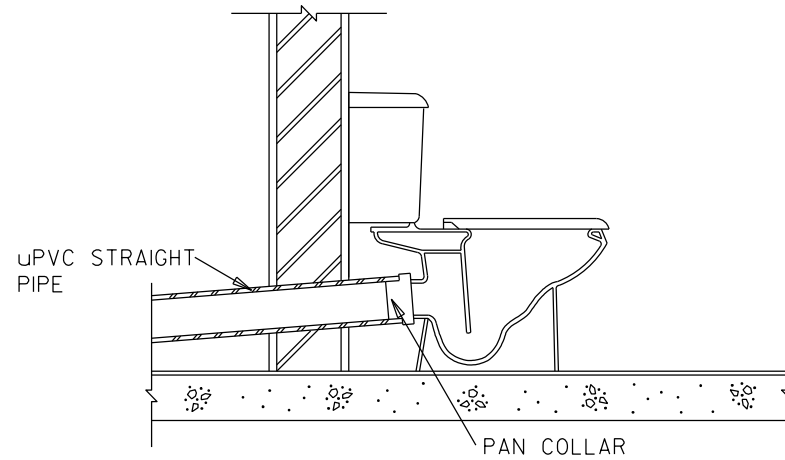
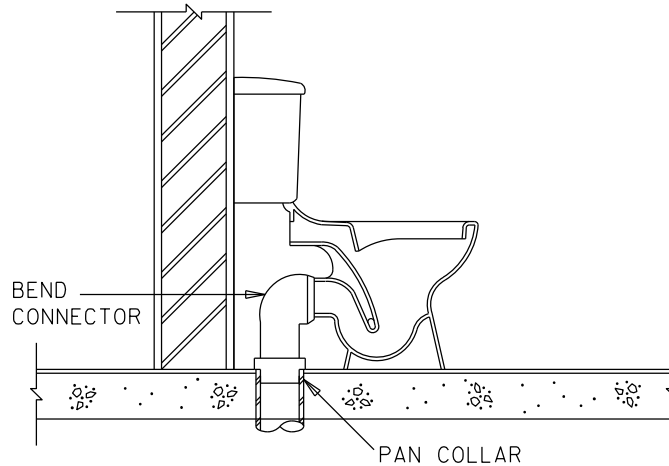


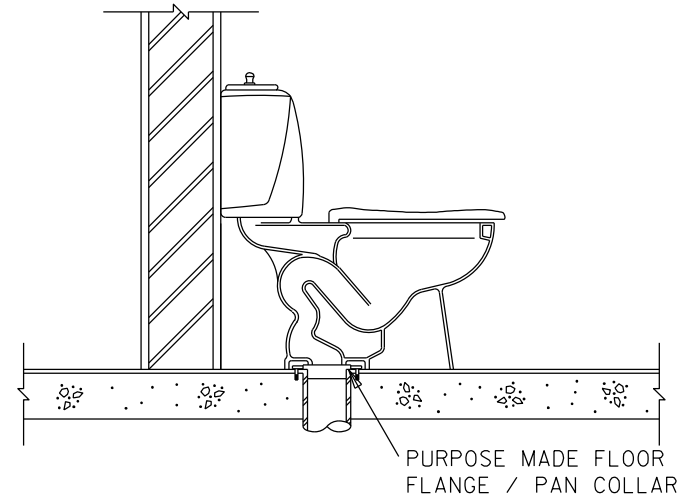
(i) S-TYPE OUTLET - WITH PAN COLLAR



(ii) HORIZONTAL (OR WALL) OUTLET - WITH PAN COLLAR AND uPVC STRAIGHT DISCHARGE PIPE



(iii) P-TYPE (OR HORIZONTAL) OUTLET - WITH BEND CONNECTOR / PAN COLLAR



(iv) CONCEALED OUTLET - WITH PURPOSE MADE FLOOR FLANGE OR PAN COLLAR

NOTES :

- 1) THE DEPRESSION AT THE JOINTING BETWEEN THE WC OUTLET PIPE AND PAN COLLAR SHOULD BE FILLED WITH WHITE CEMENT OR SILICON.
- 2) THE WC PAN SHOULD CONNECT DIRECTLY TO A SEPARATE DISCHARGE PIPE TO AN INSPECTION CHAMBER ON FIRST STOREY OR TO A DISCHARGE PIPE ON UPPER STOREY.
- 3) PAN COLLAR AND BEND CONNECTOR SHALL COMPLY WITH SS213.

ISSUED : MAR 2000

REVIEWED : JAN 2019

SCALES

NOT TO SCALE

JOINTING OF OUTLET OF PEDESTAL WATER CLOSET PAN TO DISCHARGE PIPE