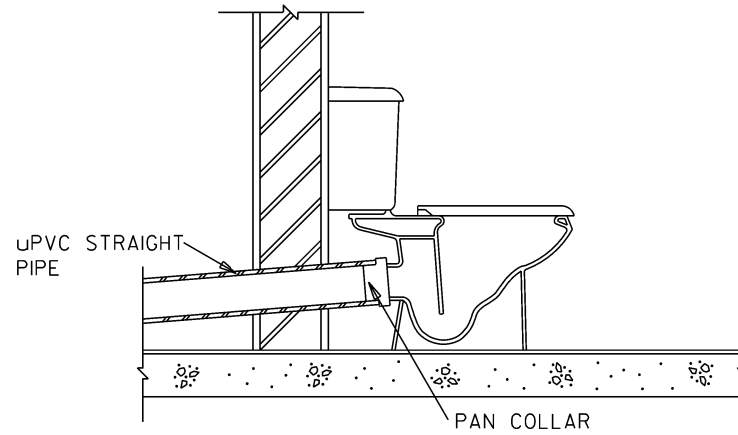
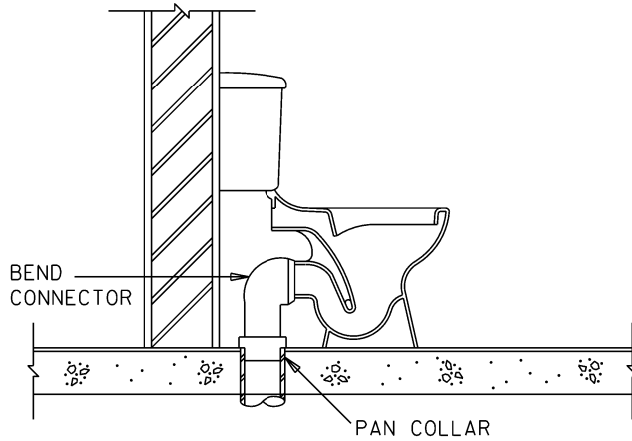


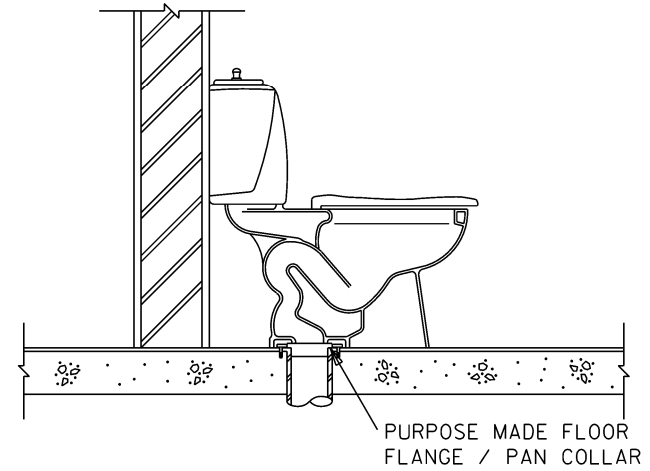
(i) S-TYPE OUTLET - WITH PAN COLLAR



(ii) HORIZONTAL (OR WALL) OUTLET - WITH PAN COLLAR AND uPVC STRAIGHT DISCHARGE PIPE



(iii) P-TYPE (OR HORIZONTAL) OUTLET - WITH BEND CONNECTOR / PAN COLLAR



(iv) CONCEALED OUTLET - WITH PURPOSE MADE FLOOR FLANGE OR PAN COLLAR

NOTES :

1. THE DEPRESSION AT THE JOINT BETWEEN THE WC OUTLET PIPE AND PAN COLLAR SHOULD BE FILLED WITH WHITE CEMENT OR SILICON.
2. uPVC PAN COLLAR SHALL COMPLY WITH SS213. PLASTICS BEND CONNECTOR SHALL COMPLY WITH BS5627.

ISSUED : DEC 2021
LAST REVIEWED : NOV 2021

JOINTING OF OUTLET OF PEDESTAL WATER CLOSET TO DISCHARGE PIPE