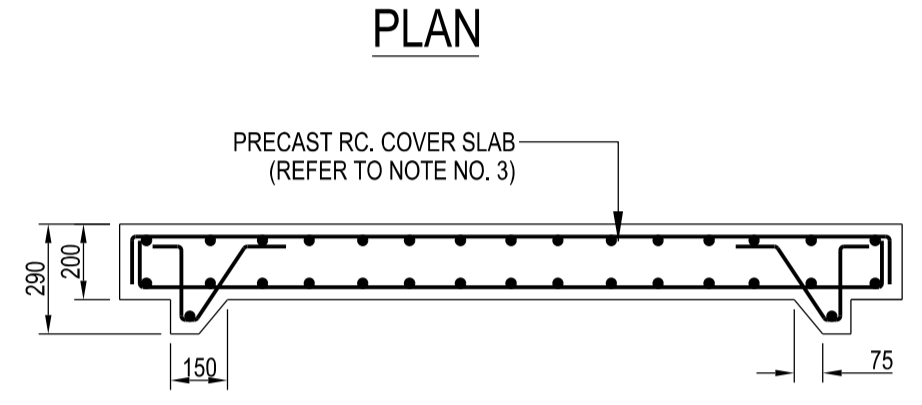
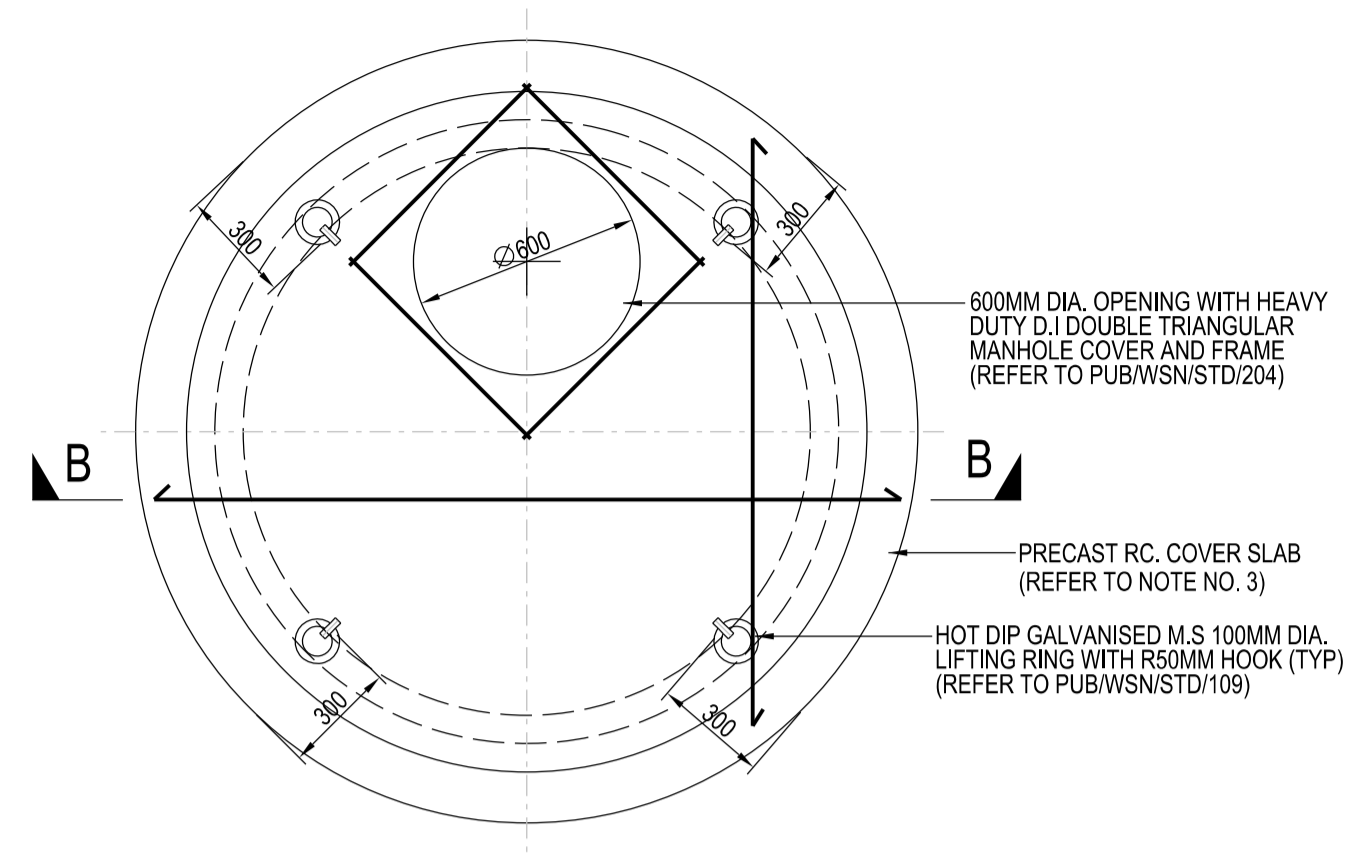
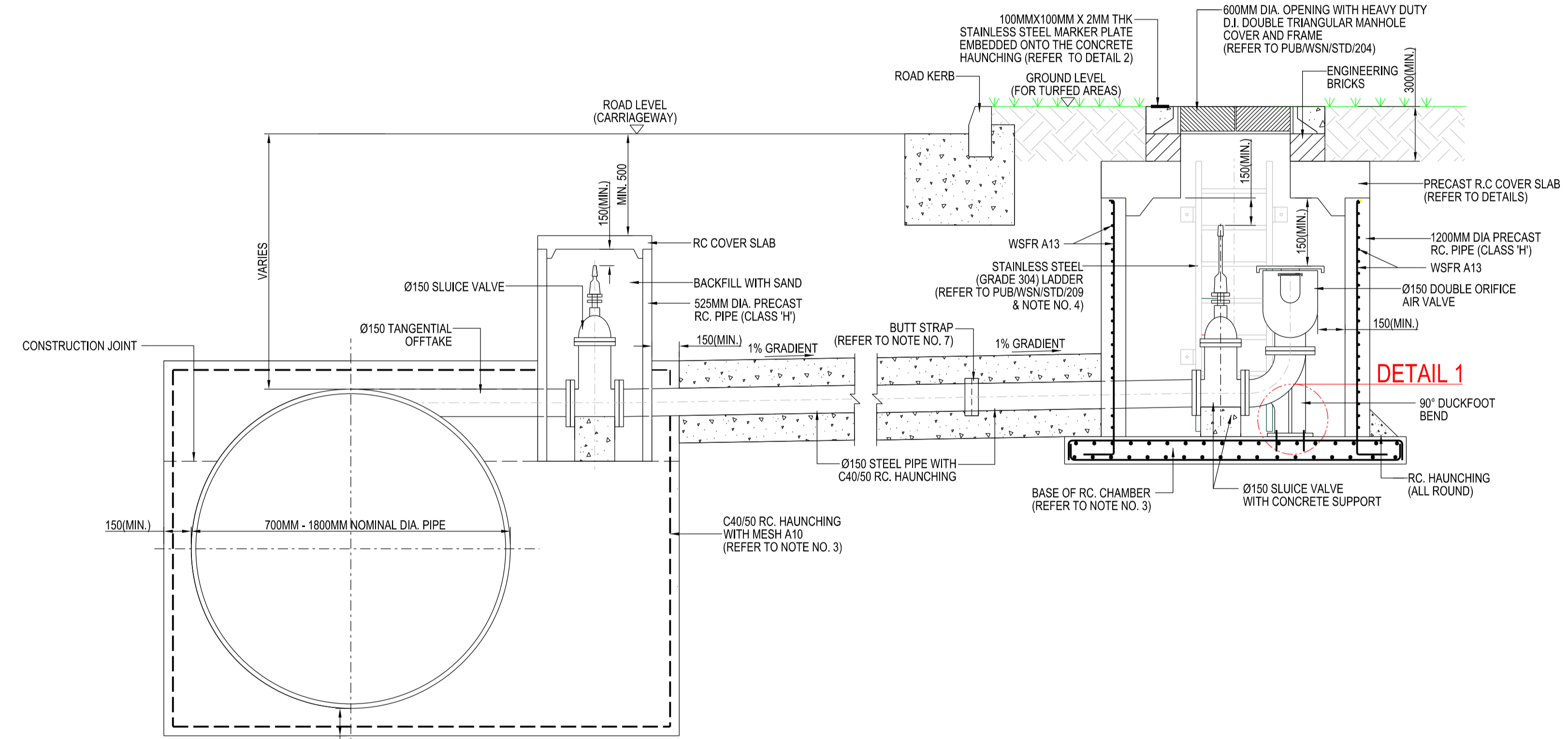


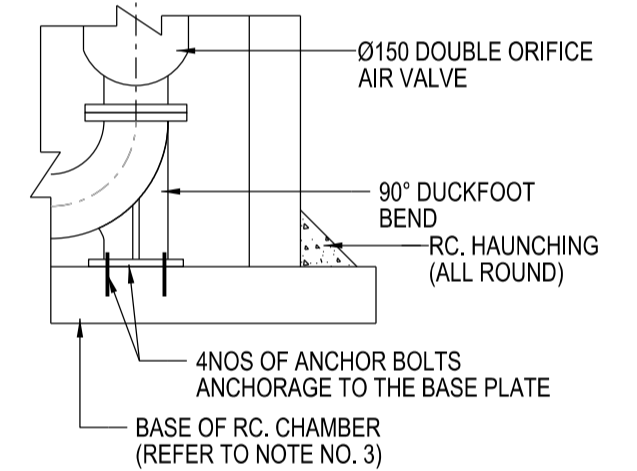
**PLAN**  
**OFF-ROAD AIR VALVE CHAMBER**  
 (FOR 700MM TO 1800MM DIA. PIPELINE)  
 SCALE 1:20



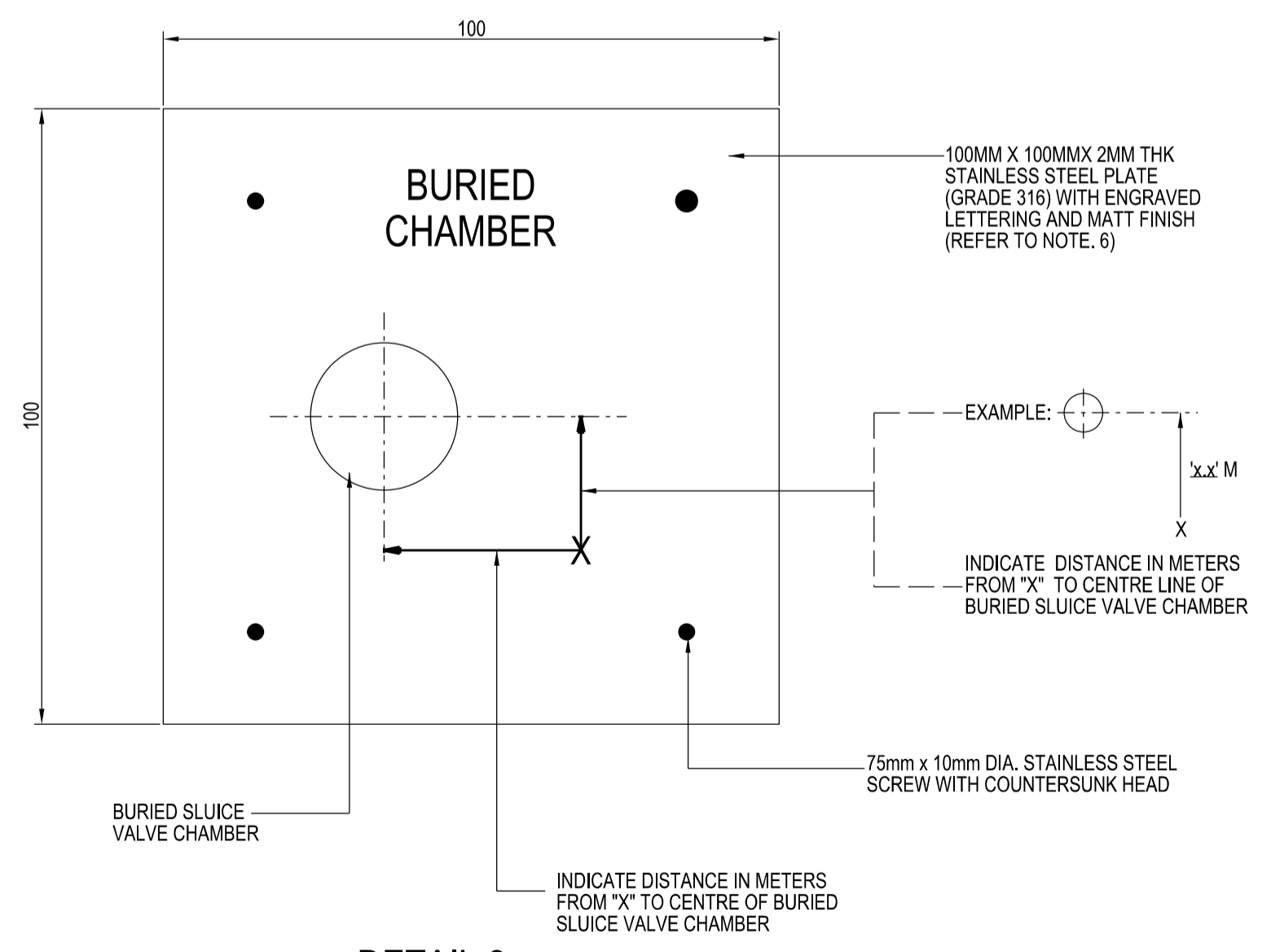
**SECTION B - B**  
**DETAILS OF PRECAST RC. COVER SLAB**  
 SCALE 1:20



**SECTION A - A**  
**OFF-ROAD AIR VALVE CHAMBER**  
 (FOR 700MM TO 1800MM DIA. PIPELINE)  
 SCALE 1:20



**DETAIL 1**  
 SCALE 1:20



**DETAIL 2**  
**STAINLESS STEEL MARKER PLATE**  
 SCALE 1:1

- NOTES:
1. ALL DIMENSIONS ARE IN MILLIMETRES UNLESS OTHERWISE STATED.
  2. THE CONTRACTOR IS TO MAKE REFERENCE TO THE GENERAL NOTES IN DRAWING NO. PUB/WSN/GN001.
  3. ALL CHAMBERS INCLUDING RC. HAUNCHING AND CLADDING SHALL BE DESIGNED AND ENDORSED BY A PROFESSIONAL ENGINEER (P.E.).
  4. SAFETY CAGES SHALL BE INSTALLED FOR ALL STAINLESS STEEL LADDERS (GRADE 304) EXCEEDING 3M HEIGHT.
  5. STAINLESS STEEL PLATES AND BOLTS SHALL BE OF GRADE 316.
  6. THE MARKINGS ON THE MARKER PLATE TO BE EMBOSSED AND PAINTED IN BLACK.
  7. BUTT STRAP SHALL BE USED IF THE PIPE LENGTH EXCEED STANDARD LENGTH. FLANGED JOINTS, COLLARS AND MECHANICAL COUPLINGS ARE NOT PERMITTED.
  8. THE DRAWING SHOWS THE TYPICAL ARRANGEMENT OF REINFORCEMENT WITHIN THE CONCRETE ELEMENTS. THIS IS FOR REFERENCE ONLY. THE P.E. SHALL UNDERTAKE DETAILED CALCULATIONS TO DETERMINE THE DETAILS OF THE REBAR REQUIRED AND SUBMIT (TOGETHER WITH THE ACCREDITED CHECKER, APPOINTED BY THE BOARD) TO BCA FOR APPROVAL.

ISSUED: NOV 2020

SCALE

LAST REVIEWED: NOV 2020

AS SHOWN

**TYPICAL OFF-ROAD AIR VALVE CHAMBER FOR 700MM TO 1800MM DIA. PIPELINES**