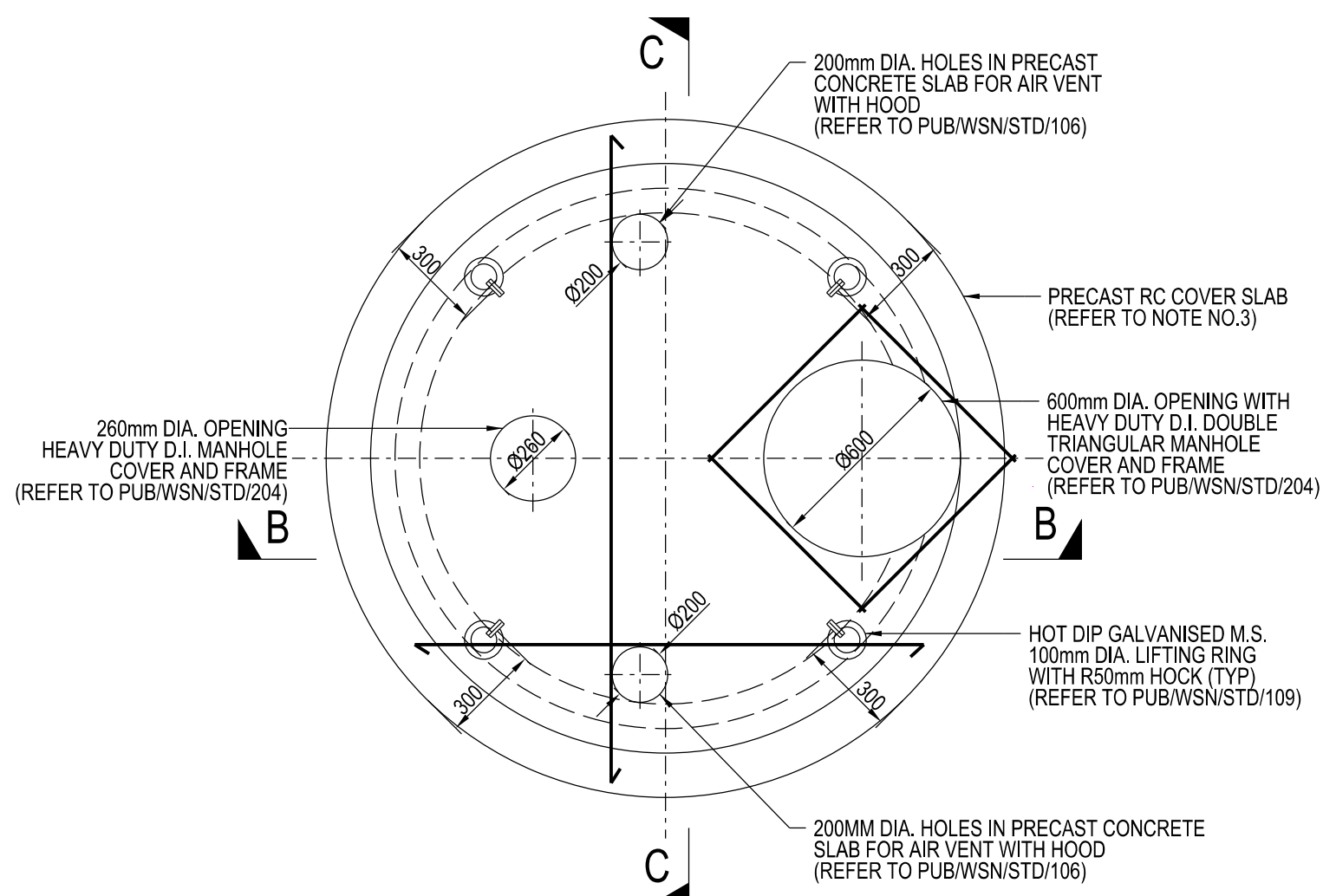
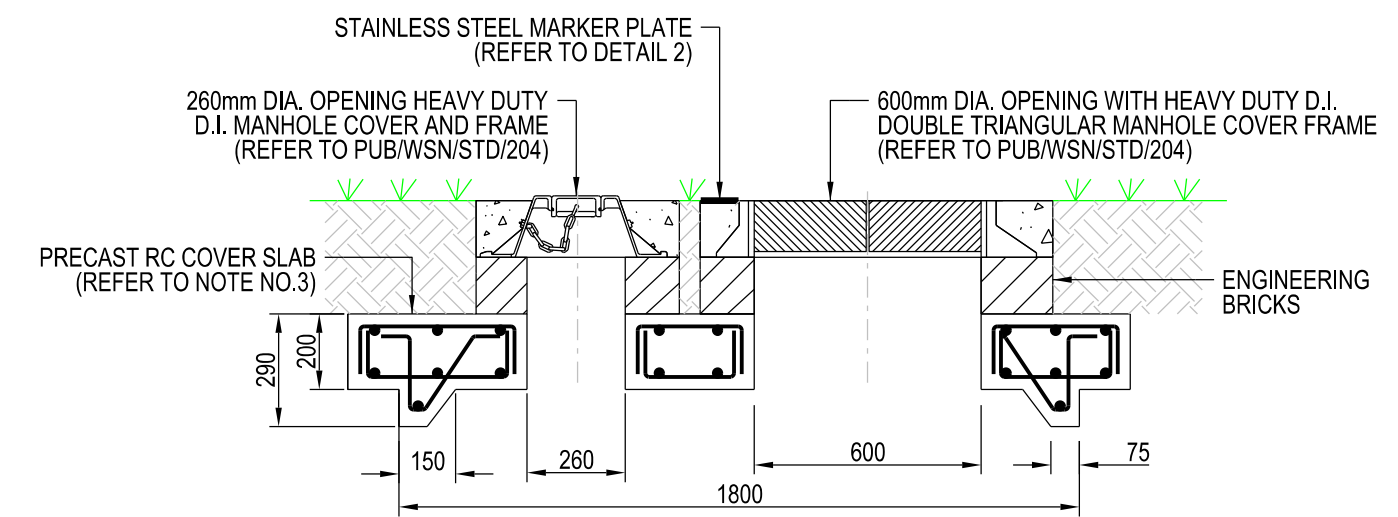


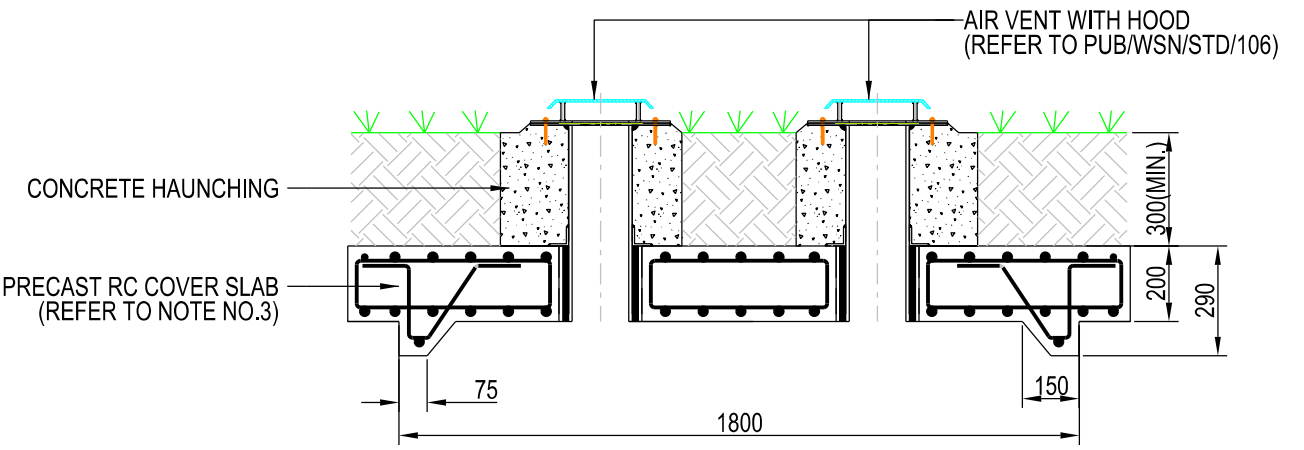
PLAN
OFF-ROAD AIR VALVE CHAMBER
FOR 1900mm AND 2200mm DIA. PIPELINE
SCALE 1 : 20



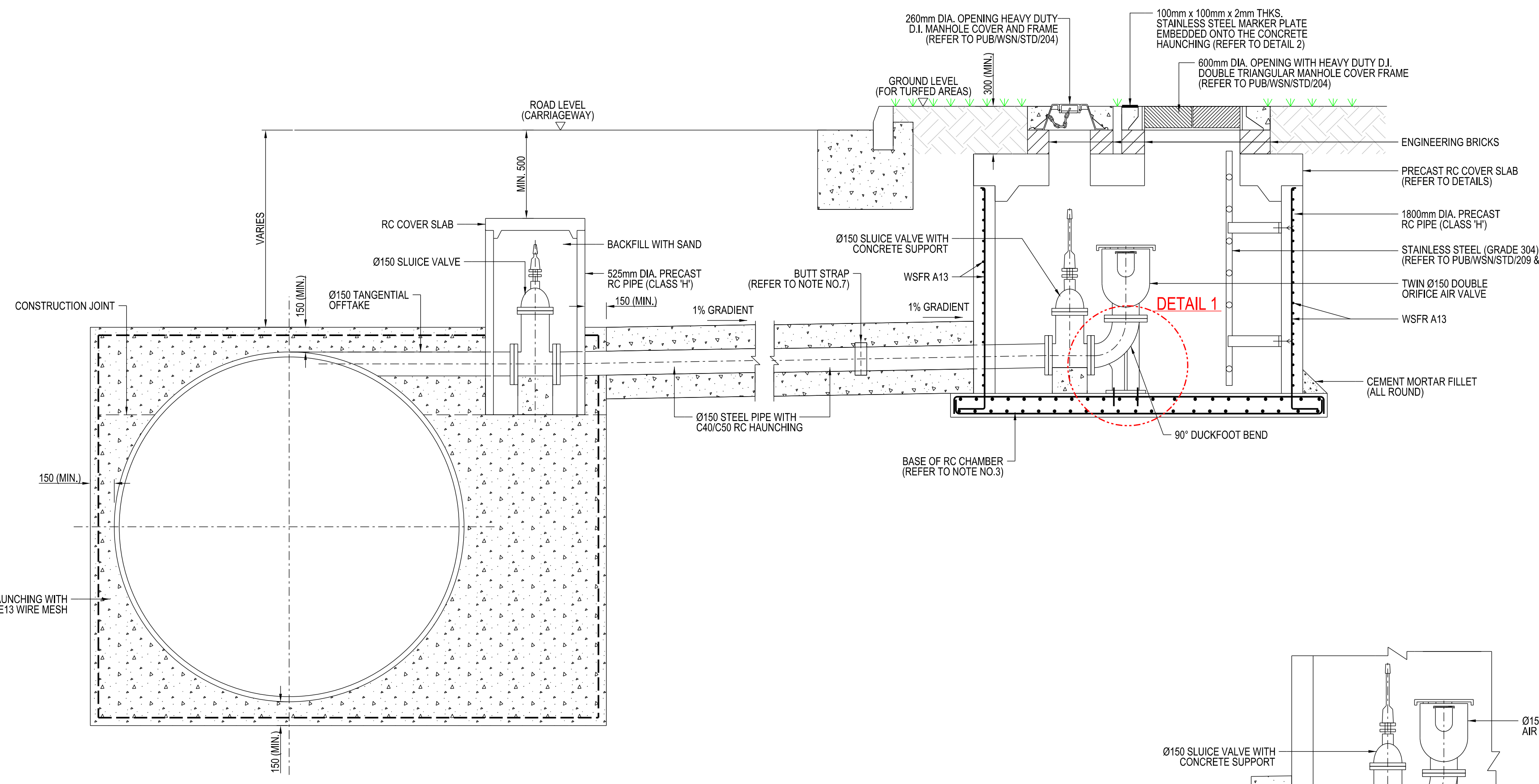
PLAN OF PRECAST RC COVER SLAB



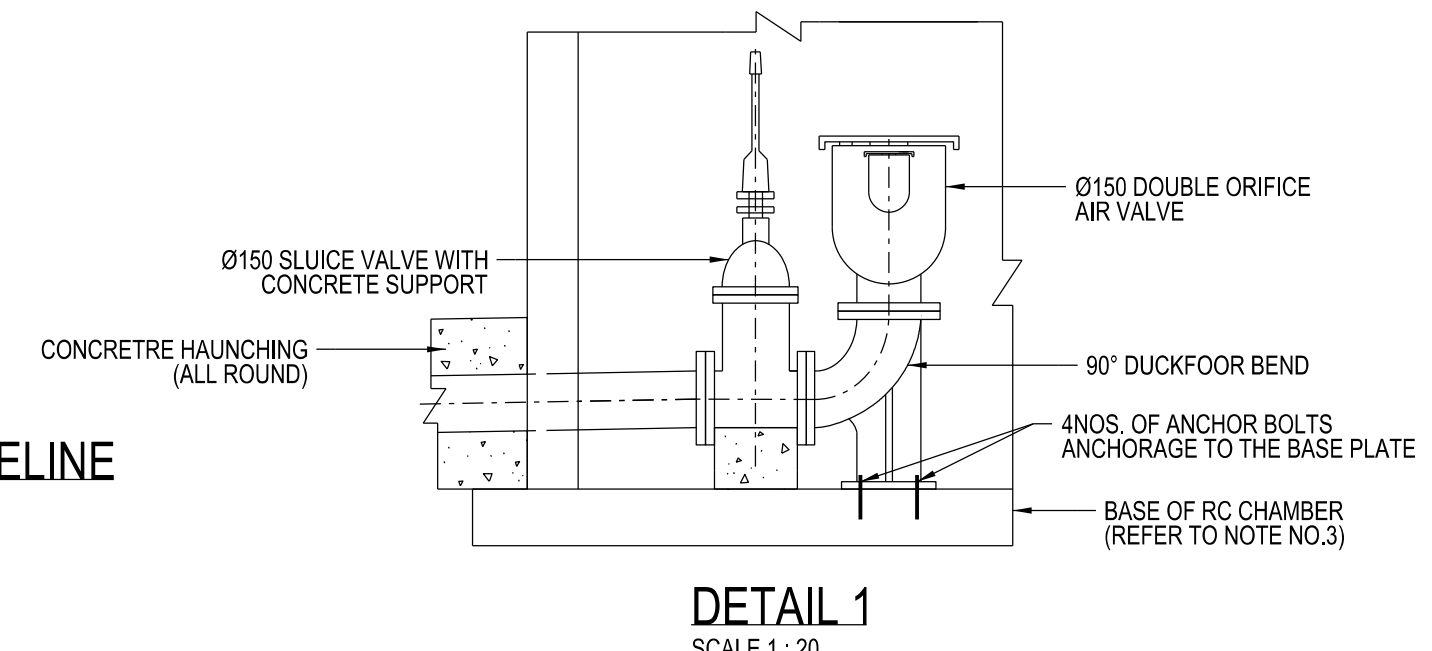
SECTION B - B
SCALE 1 : 20



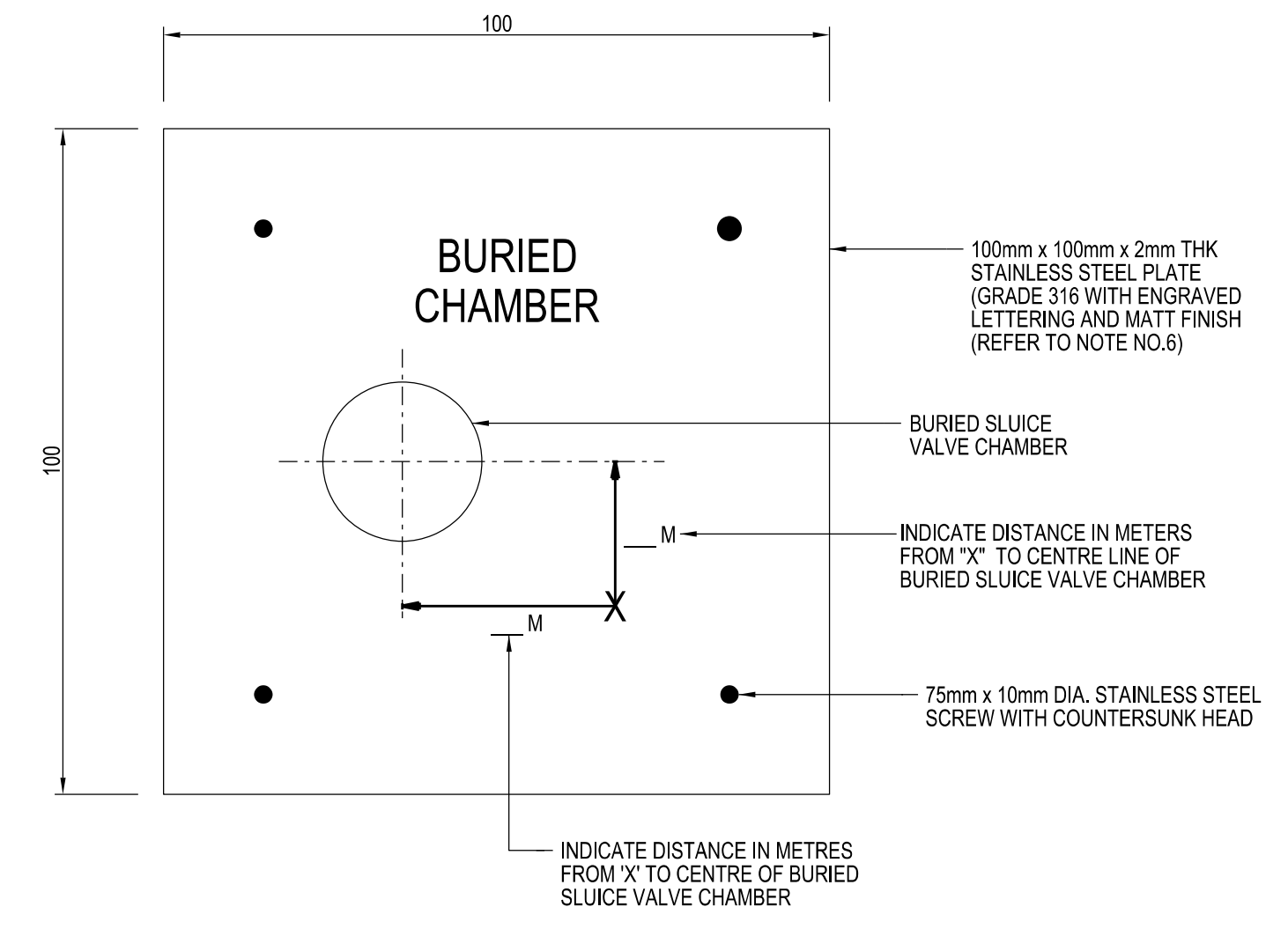
SECTION C - C
SCALE 1 : 20



SECTION A - A
OFF-ROAD AIR VALVE CHAMBER FOR 1900mm AND 2200mm DIA. PIPELINE
SCALE 1 : 20



DETAIL 1
SCALE 1 : 20



DETAIL 2
STAINLESS STEEL MARKER PLATE
SCALE 1 : 1

- NOTES:
1. ALL DIMENSIONS ARE IN MILLIMETRES UNLESS OTHERWISE STATED.
 2. THE CONTRACTOR IS TO MAKE REFERENCE TO THE GENERAL NOTES IN DRAWING NO. PUB/WSN/GN/001.
 3. ALL CHAMBERS INCLUDING RC, HAUNCHING AND CLADDING SHALL BE DESIGNED AND ENDORSED BY A PROFESSIONAL ENGINEER (P.E.).
 4. SAFETY CAGES SHALL BE INSTALLED FOR ALL STAINLESS STEEL LADDERS (GRADE 304) EXCEEDING 3M HEIGHT.
 5. STAINLESS STEEL MARKER PLATES AND BOLTS SHALL BE OF GRADE 316.
 6. THE MARKINGS ON THE MARKER PLATE TO BE EMBOSSED AND PAINTED IN BLACK.
 7. BUTT STRAP SHALL BE USED IF THE PIPE LENGTH EXCEED STANDARD LENGTH, FLANGED JOINTS, COLLARS AND MECHANICAL COUPLINGS ARE NOT PERMITTED.
 - 8a. STAINLESS STEEL INSECT SCREEN WIRE MESH OF THE AIR VENTS SHALL BE CLEANED BEFORE ANY DRAINING OF PIPE FOR REPAIR OR FIRST TIME CHARGING OF PIPELINE FOR COMMISSIONING.
 - 8b. ALL COMPONENTS OF THE AIR VENT INCLUDING HOOD SHALL BE OF STAINLESS STEEL (GRADE 304).
 9. THE DRAWING SHOWS THE TYPICAL ARRANGEMENT OF REINFORCEMENT WITHIN THE CONCRETE ELEMENTS. THIS IS FOR REFERENCE ONLY. THE P.E. SHALL UNDERTAKE DETAILED CALCULATIONS TO DETERMINE THE DETAILS OF THE REBAR REQUIRED AND SUBMIT TOGETHER WITH THE ACCREDITED CHECKER, APPOINTED BY THE BOARD) TO BCA FOR APPROVAL.

ISSUED: NOV 2020

SCALE

AS SHOWN

LAST REVIEWED: NOV 2020

TYPICAL OFF-ROAD AIR VALVE CHAMBER (FOR 1900mm AND 2200mm DIA. PIPELINE)