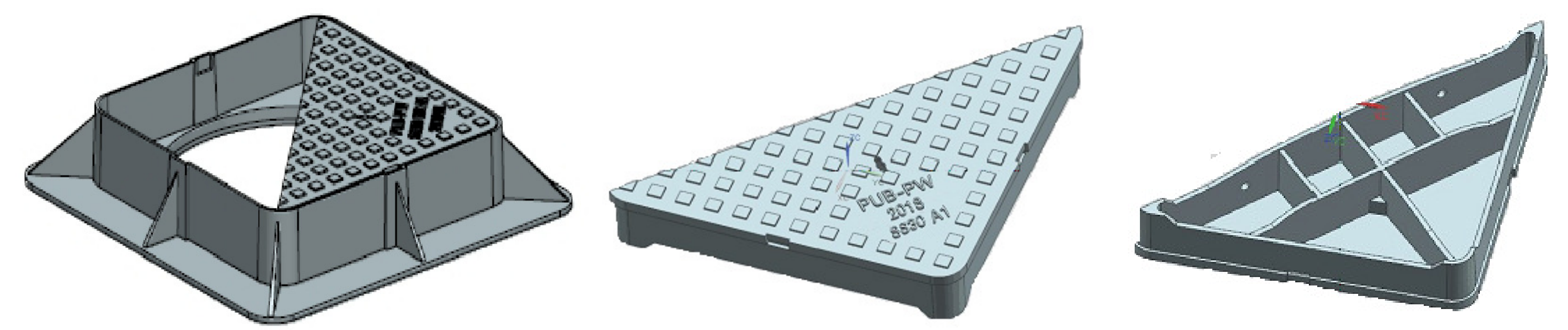
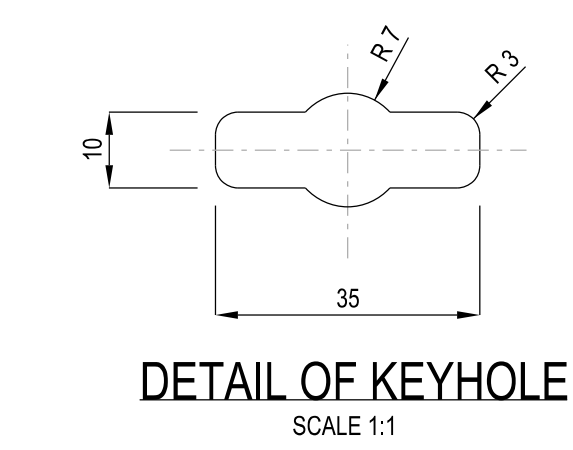
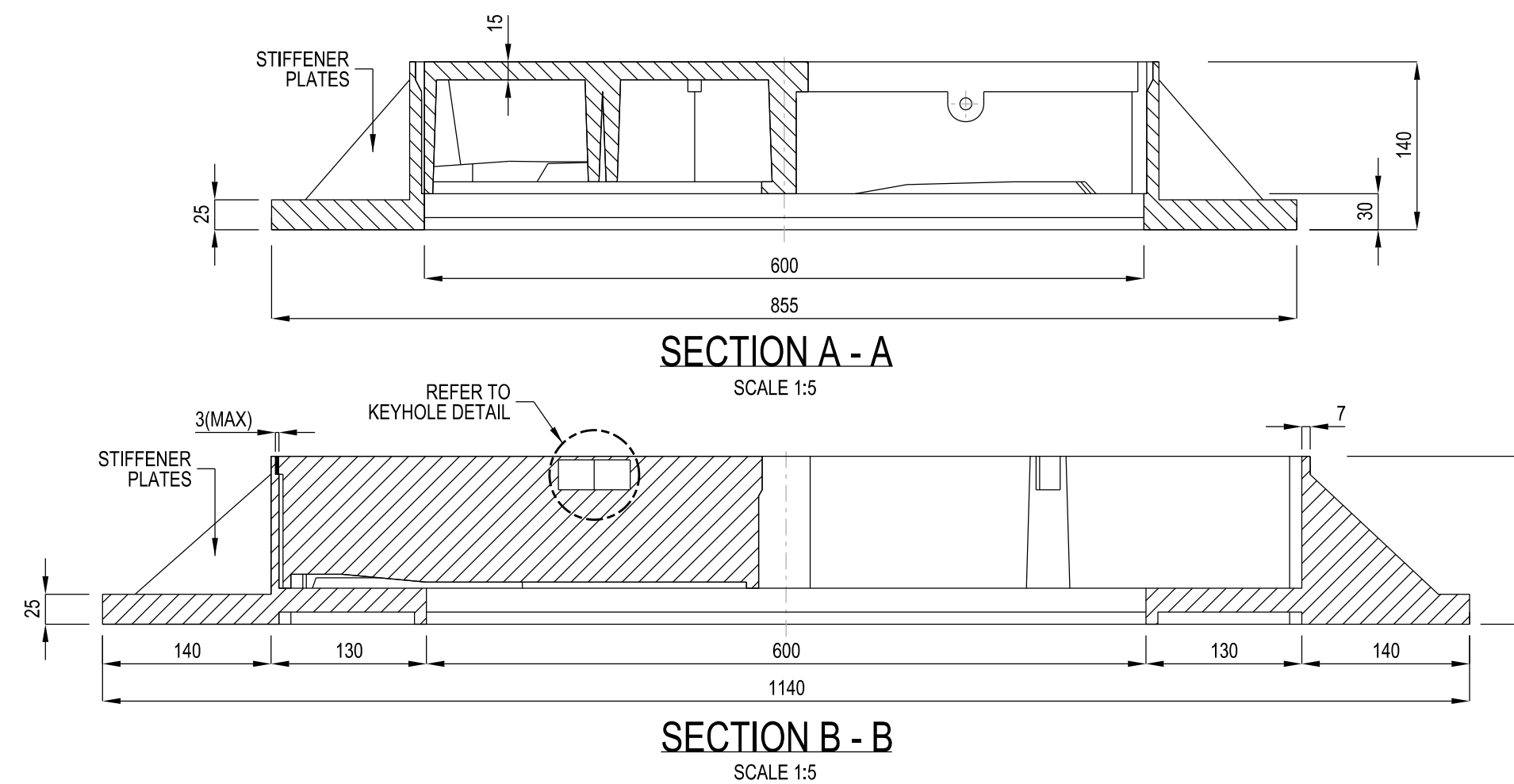


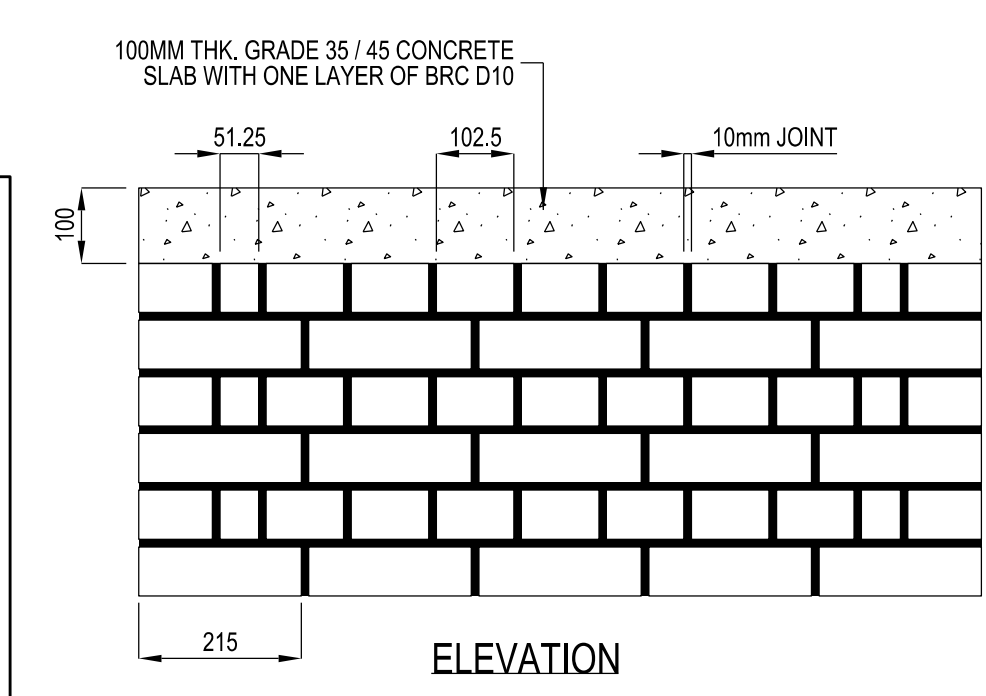
TOP VIEW OF STANDARD HEAVY DUTY DOUBLE TRIANGULAR DUCTILE IRON MANHOLE FRAME AND COVER (PLAN FOR CHAMBER ACCESS)

SCALE 1:5
NOTE:
1) ALL MEASUREMENTS SHOWN ARE IN MINIMUM DIMENSIONS, UNLESS OTHERWISE STATED.

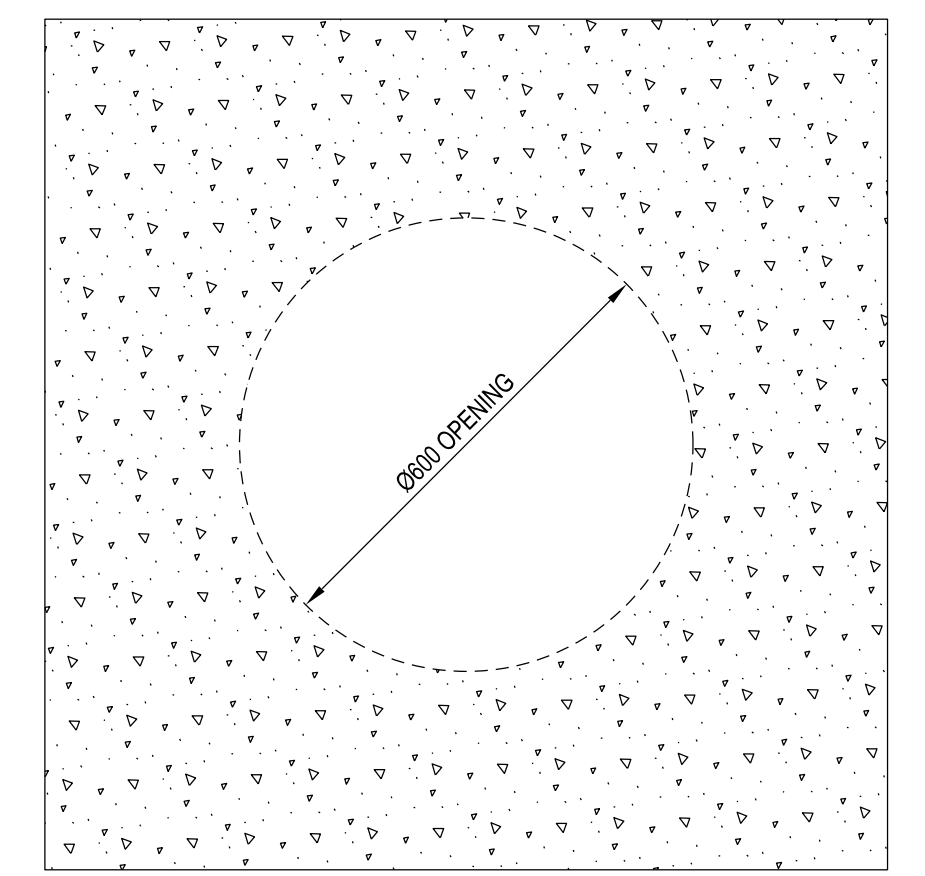
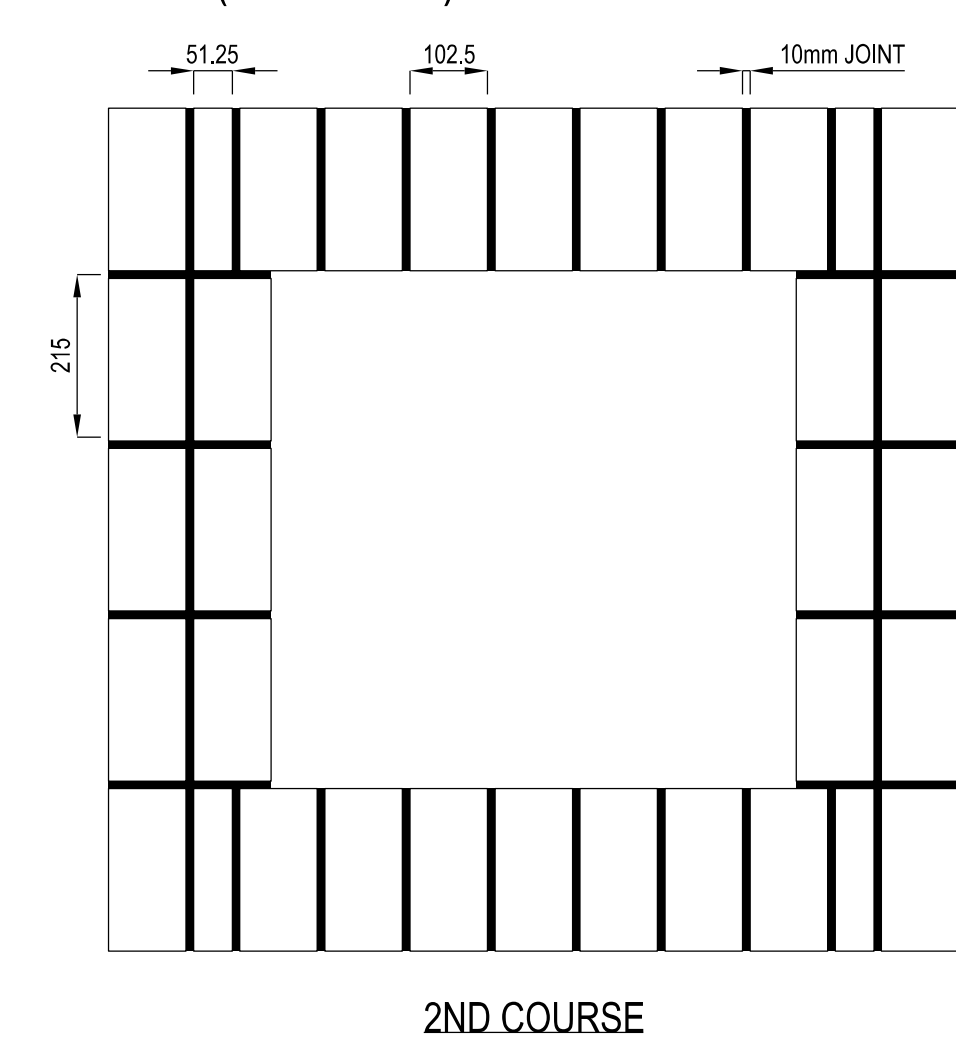
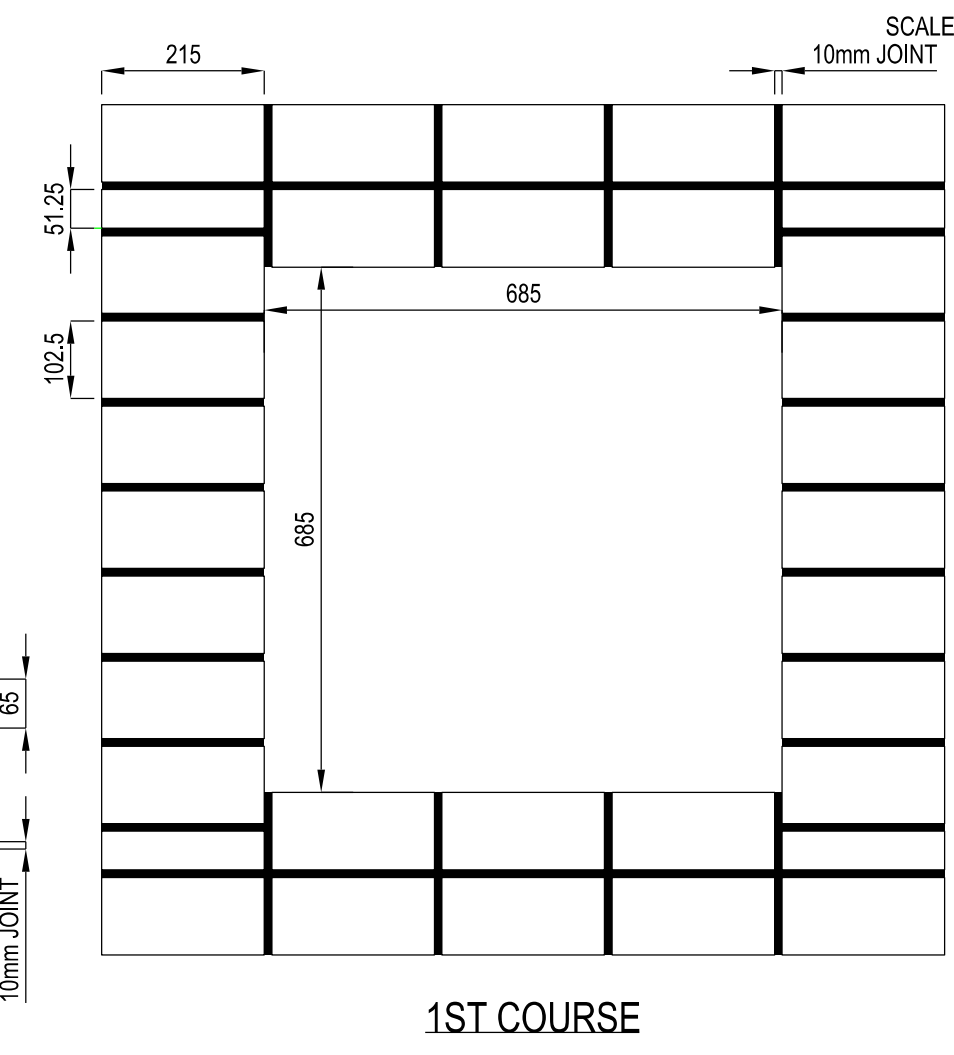
BRICK (REFER BRICK DETAIL BELOW)
Ø600 OPENING
REFER TO KEYHOLE DETAIL
'SEE ISOMETRIC VIEW OF MANHOLE COVER AND FRAME ON THE RIGHT'
REFER TO NOTE 4
YEAR OF MANUFACTURE



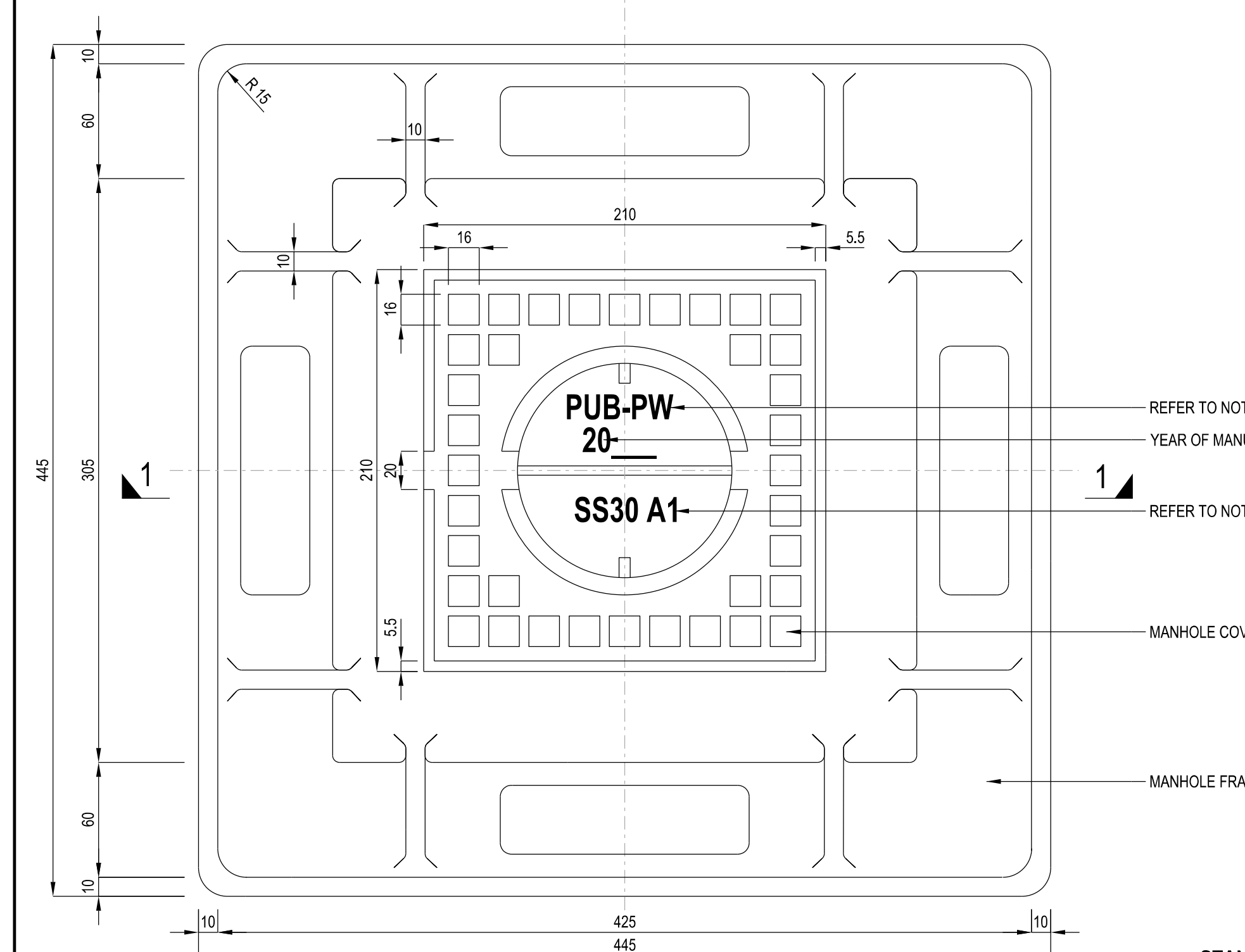
OVERALL ISOMETRIC VIEW OF MANHOLE COVER AND FRAME
TOP VIEW OF MANHOLE COVER
UNDERSIDE VIEW OF MANHOLE COVER
ISOMETRIC VIEW OF STANDARD HEAVY DUTY DUCTILE IRON (GRADE A1) MANHOLE FRAME AND COVER



BRICKWORK FOR CHAMBER WITH STANDARD HEAVY DUTY DOUBLE TRIANGULAR MANHOLE COVER AND FRAME (BRICKWORK FOR VALVE SPINDLE MANHOLE COVER AND FRAME BELOW, TO BE OF SIMILAR DESIGN)

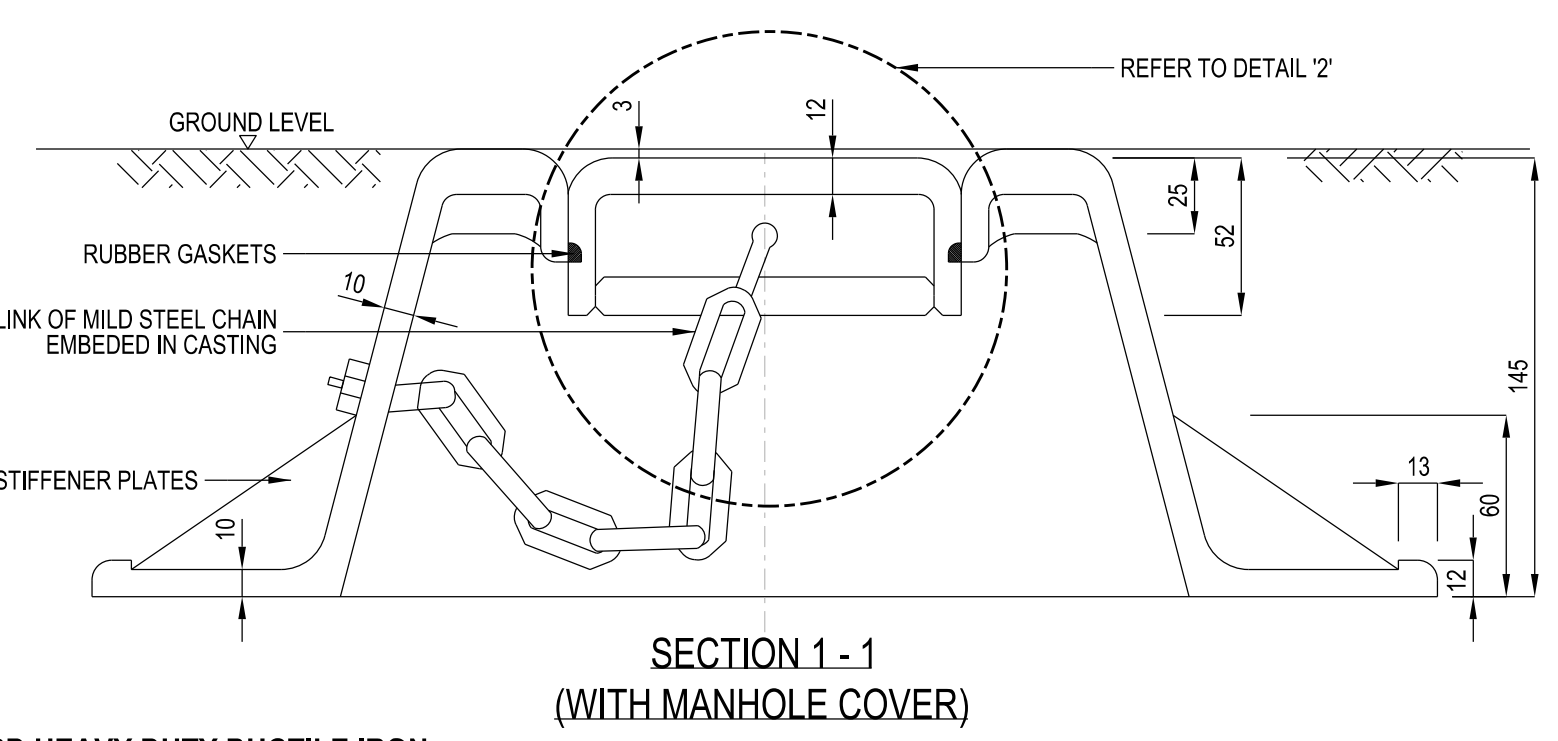


100MM THK. GRADE 35 / 45 CONCRETE SLAB WITH ONE LAYER OF BRC D10

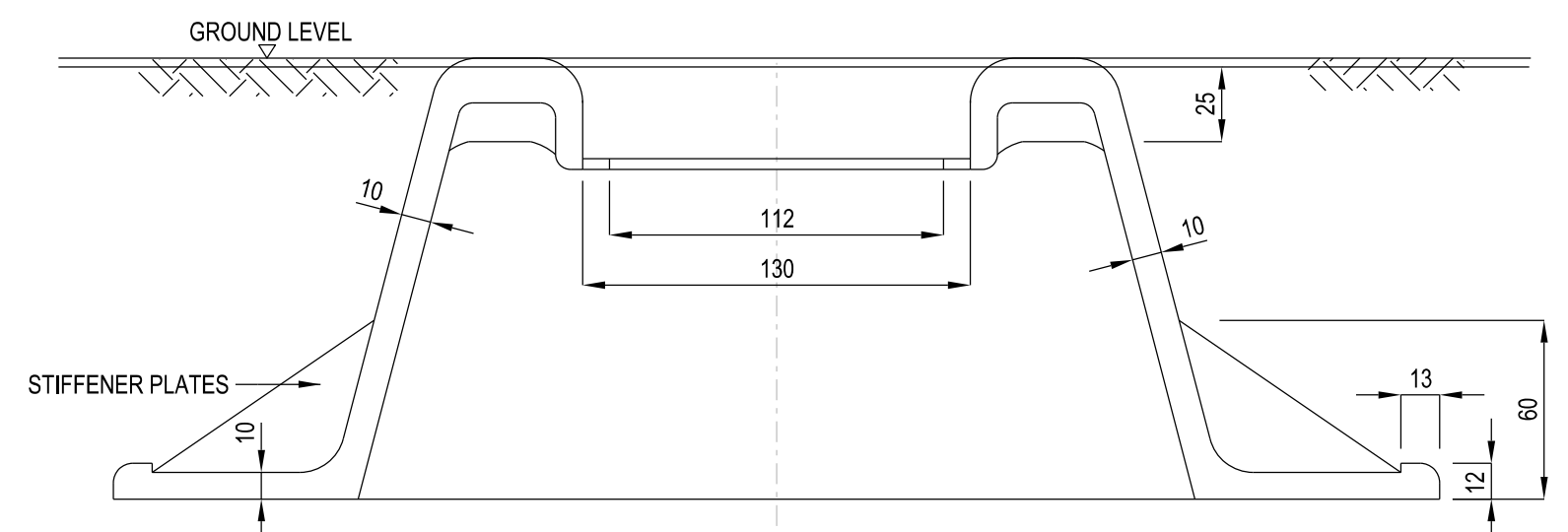


STANDARD HEAVY DUTY DUCTILE IRON MANHOLE FRAME AND COVER PLAN (FOR VALVE SPINDLE)

SCALE 1:2.5

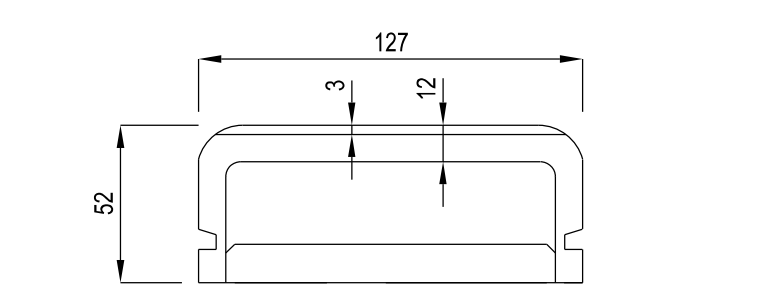


STANDARD HEAVY DUTY DUCTILE IRON (GRADE A1) MANHOLE FRAME AND COVER FOR CHAMBER ACCESS & FOR VALVE SPINDLE



DETAILS OF MANHOLE FRAME AND COVER (FOR VALVE SPINDLE)

SCALE 1:2.5



DETAIL '2': 260mm DIA. MANHOLE COVER

- NOTES:
1. ALL DIMENSIONS ARE IN MILLIMETRES UNLESS OTHERWISE STATED.
 2. REFER TO THE GENERAL NOTES IN DRAWING NO. PUB/WSN/001.
 3. MANHOLE COVER AND FRAME SHALL BE GRADE A1 TO SS30:1999 (MANHOLE TOPS AND SURFACE-BOX TOPS)
 4. LABEL ON MANHOLE COVERS SHALL BE: PUB-PW FOR POTABLE WATER, PUB-NW FOR NEWATER
 5. MANHOLE COVERS FOR NEWATER PIPELINES SHALL BE PAINTED PURPLE (COLOUR CODE: 22-C-37).
 6. BRICKWORK FOR CHAMBER SHALL BE LAID AS MASONRY WALL TO EUROCODE 6 (DESIGN OF MASONRY STRUCTURES - PART 1). MASONRY UNITS SHALL BE MINIMUM ENGINEERING BRICK CLASS B TO BS EN 772 (METHODS OF TESTS FOR MASONRY UNITS - PART 1) WITH M12 MORTAR.

ISSUED: NOV 2020

SCALE

LAST REVIEWED: NOV 2020

AS SHOWN

STANDARD HEAVY DUTY DUCTILE IRON (GRADE A1) MANHOLE FRAME AND COVER FOR CHAMBER ACCESS & FOR VALVE SPINDLE