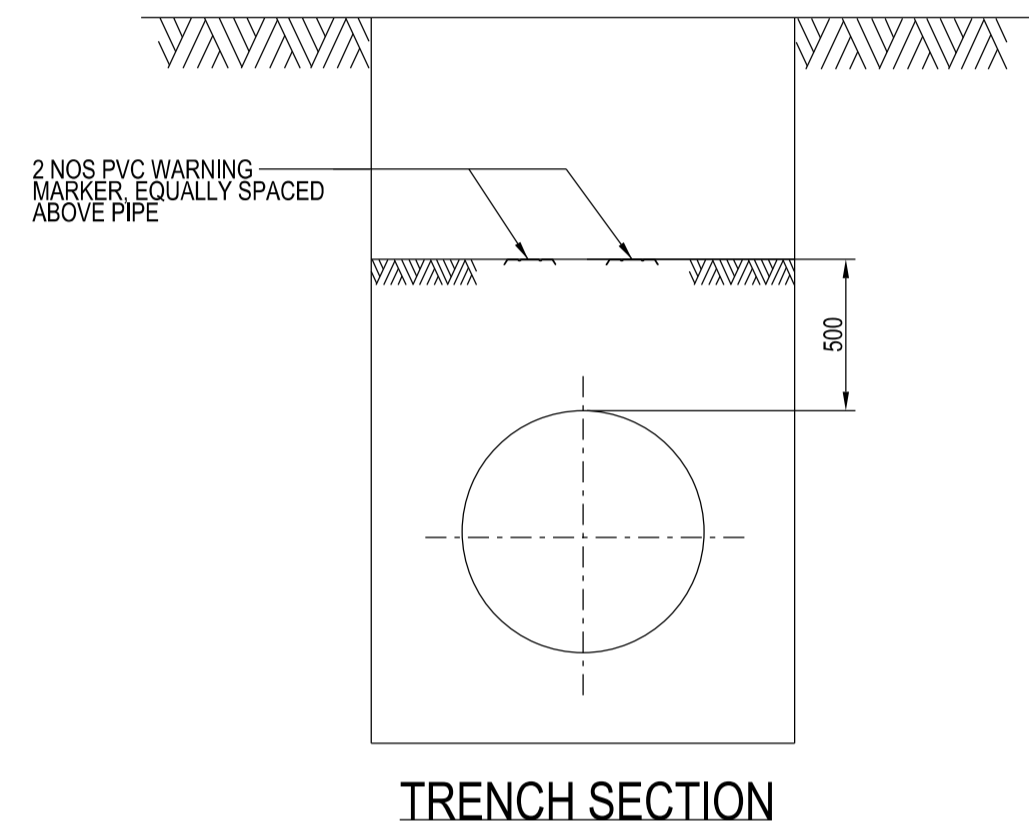


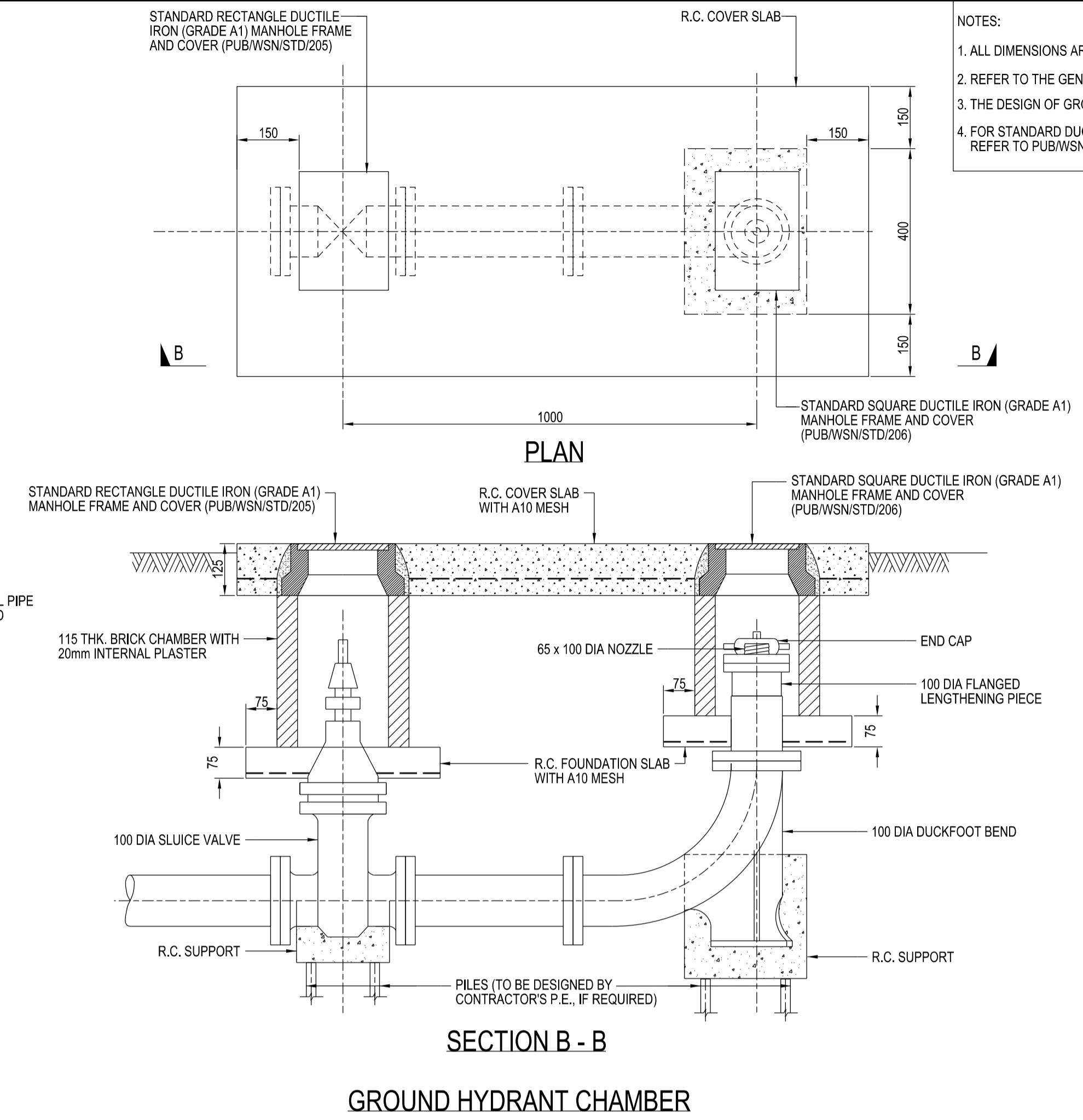
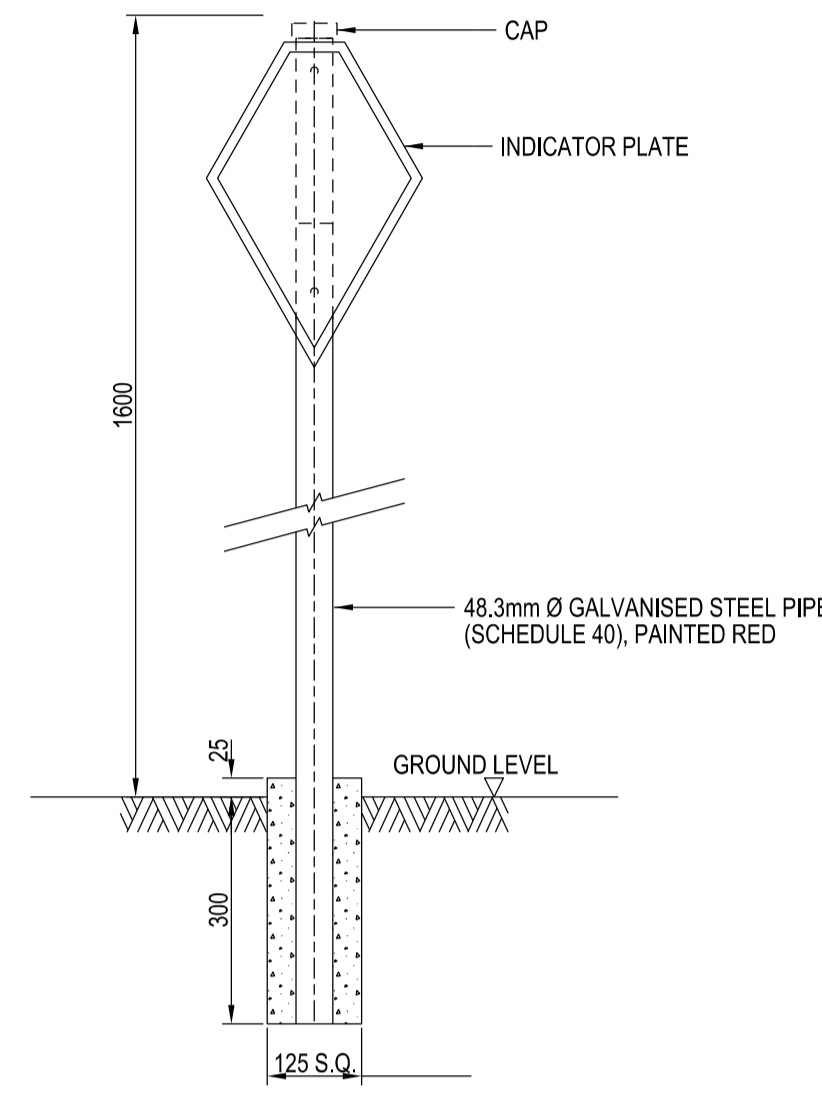
- NOTES:
- A. MATERIAL : HIGH IMPACT RESISTANT POLYVINYL CHLORIDE
  - B. THICKNESS OF MARKER : 2mm
  - C. ALL WORDS ON MARKER SHALL BE EMBOSSED
  - D. INTERLOCKING MECHANISM

DESCRIPTION	WORDS COLOUR	WORDS EMBOSSED
POTABLE WATER	PANTONE 306C (BLUE)	PW
NEWATER	22-C-37 (PURPLE)	NW
RAW WATER	12-D-45 (GREEN)	RW
INDUSTRIAL WATER	8-E-51 (YELLOW)	IW

PVC WARNING MARKER FOR PIPE

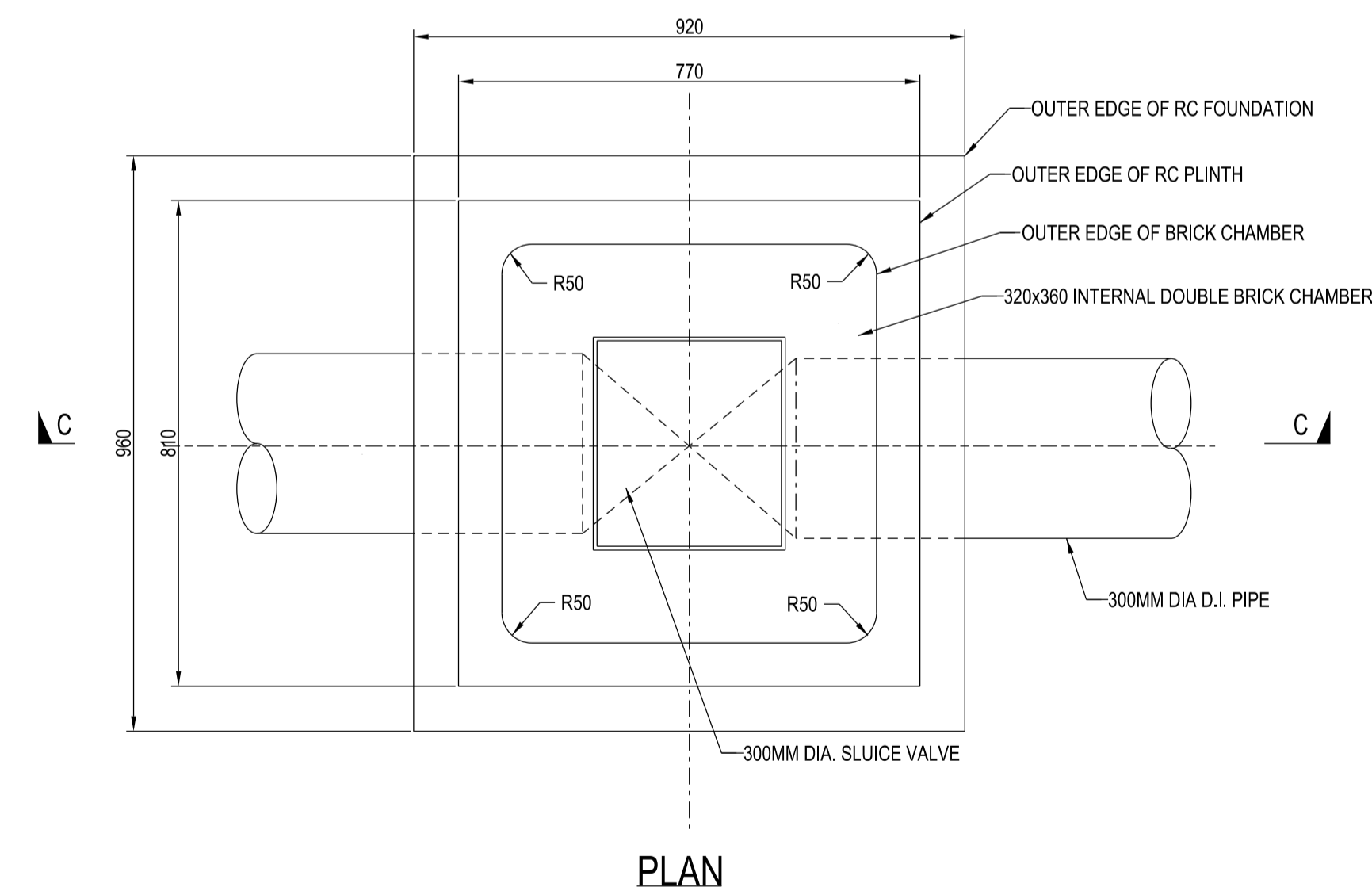


SECTION A - A

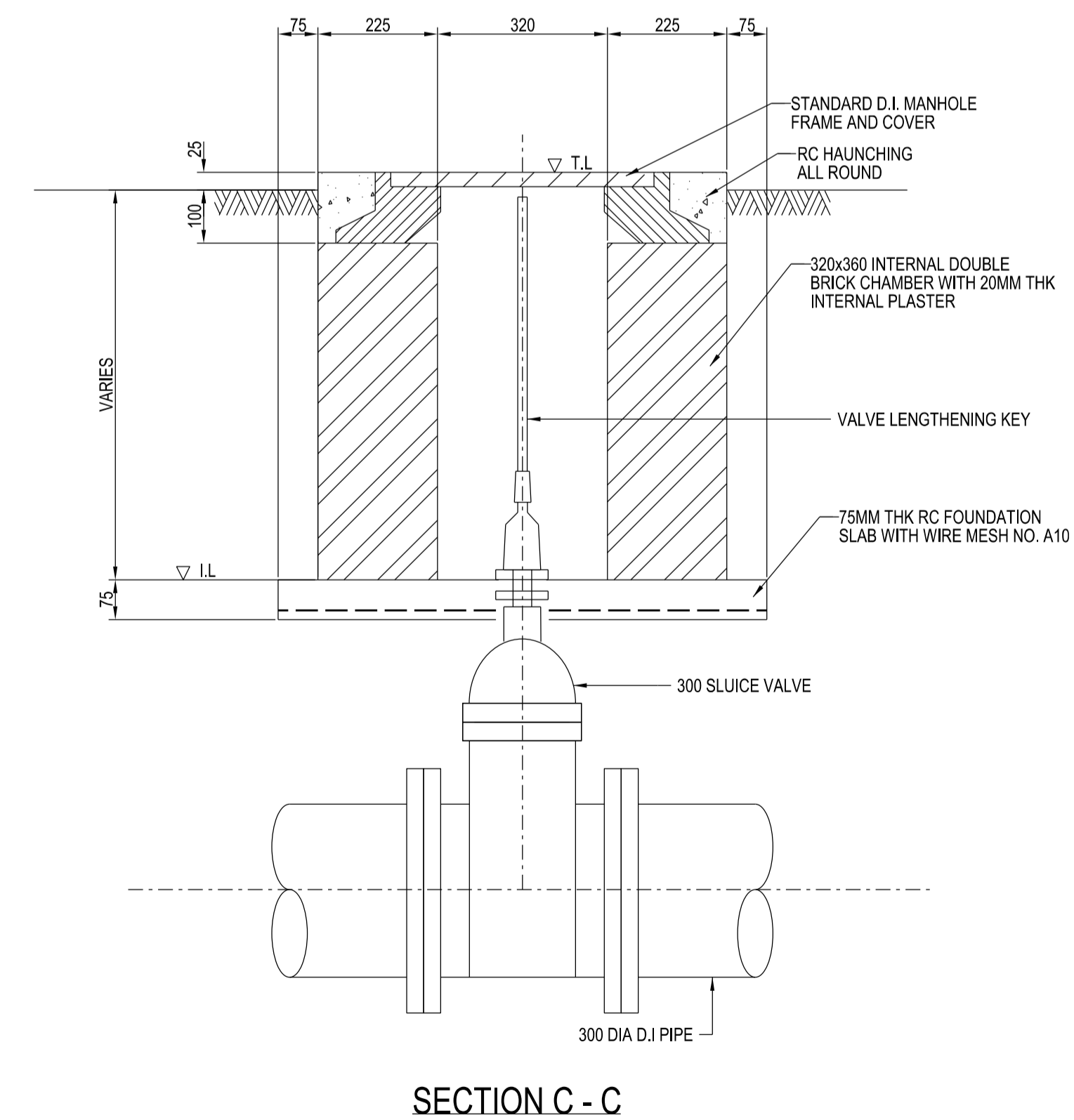


- NOTES:
1. ALL DIMENSIONS ARE IN MILLIMETERS UNLESS OTHERWISE STATED.
  2. REFER TO THE GENERAL NOTES IN DRAWING NO. PUB/WSN/GN/001.
  3. THE DESIGN OF GROUND HYDRANT SHALL COMPLY WITH SS CP48.
  4. FOR STANDARD DUCTILE IRON MANHOLE FRAME AND COVER, REFER TO PUB/WSN/STD/205 AND PUB/WSN/STD/206.

GROUND HYDRANT CHAMBER



BRICK CHAMBER FOR 300MM DIA. SLUCE VALVE



SECTION C - C

ISSUED : NOV 2020

SCALE

LAST REVIEWED : NOV 2020

NTS

PVC WARNING MARKER, GROUND HYDRANT CHAMBER AND BRICK CHAMBER FOR 300MM DIA. SLUCE VALVE