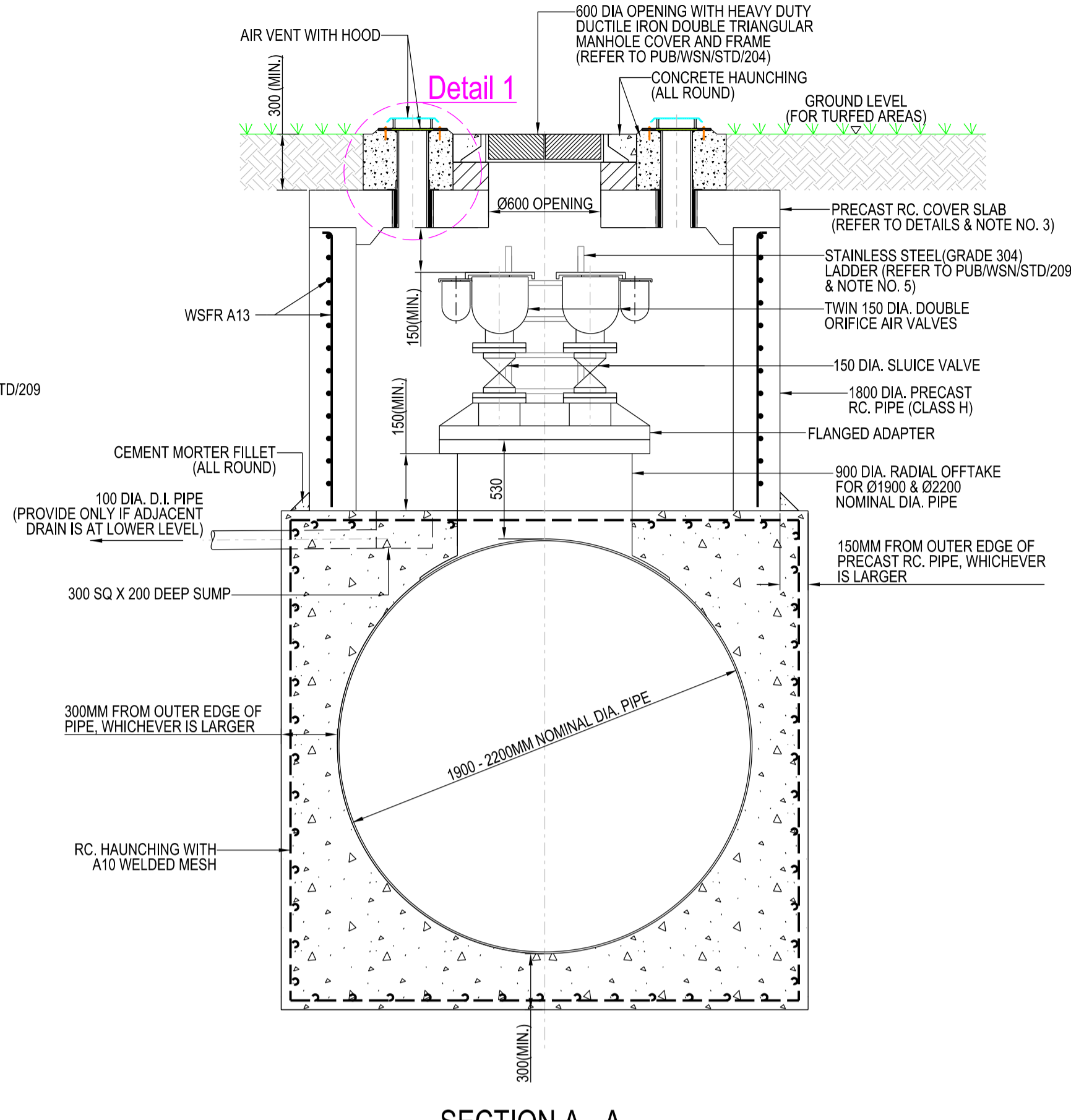
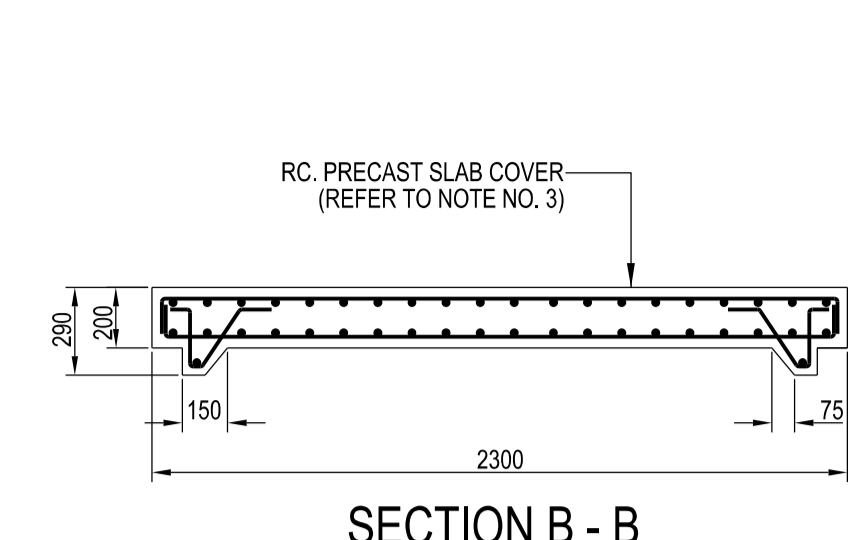


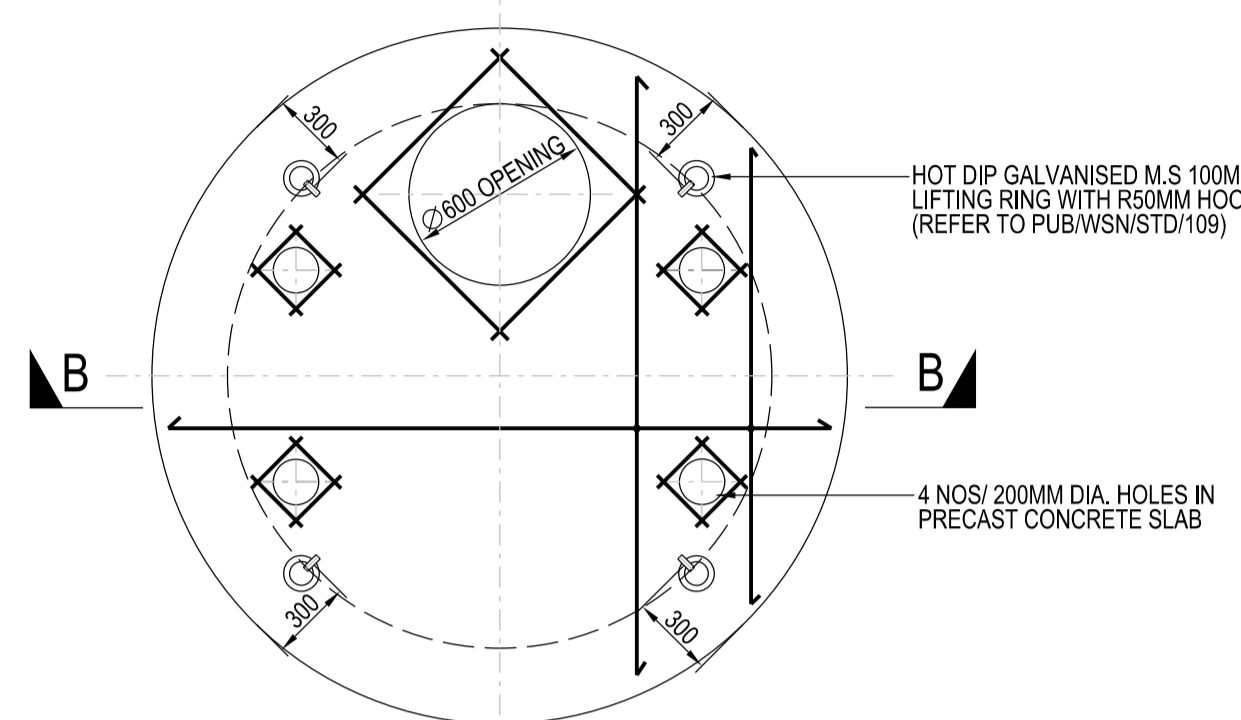
PLAN



SECTION A - A



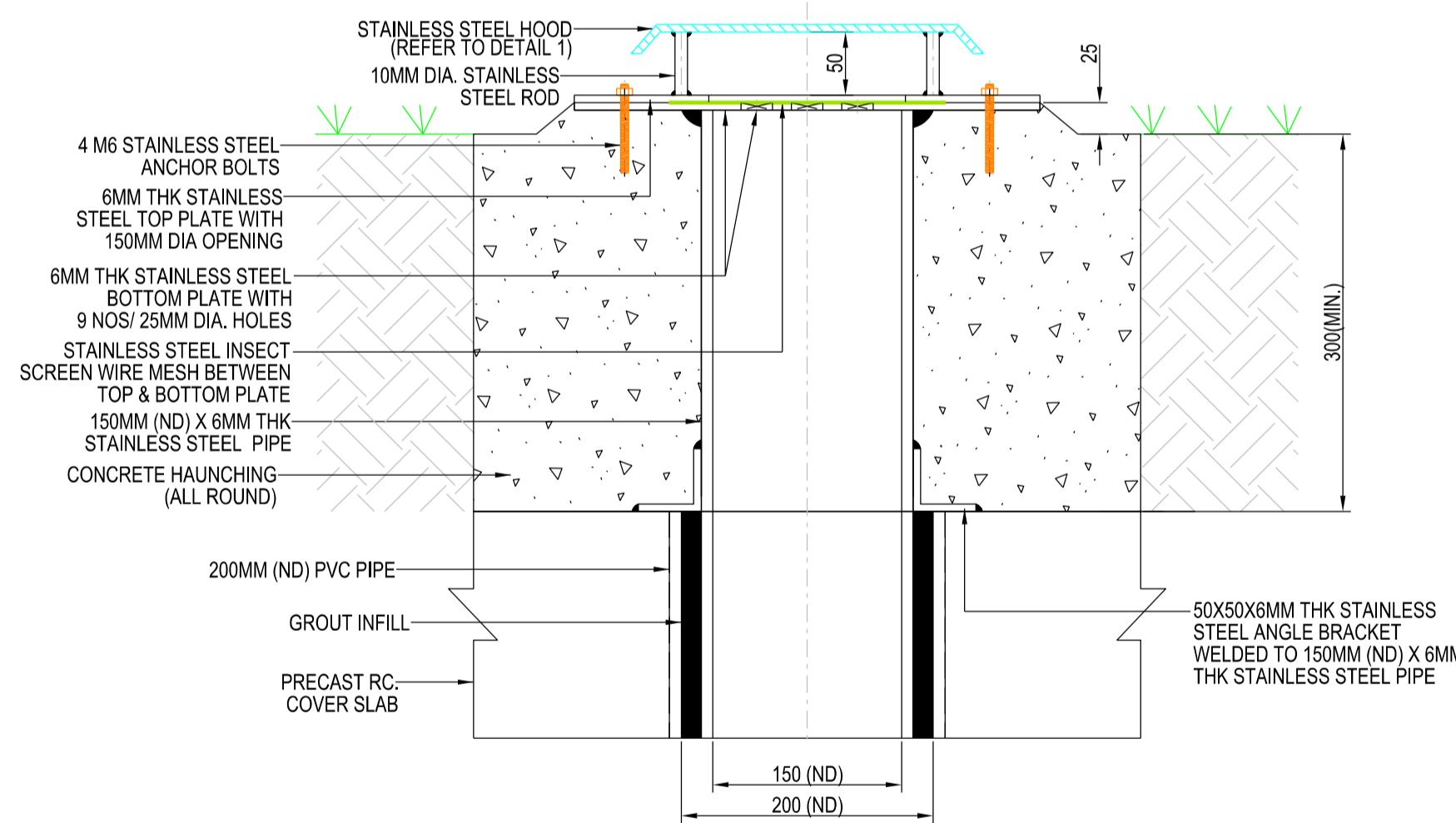
SECTION B - B



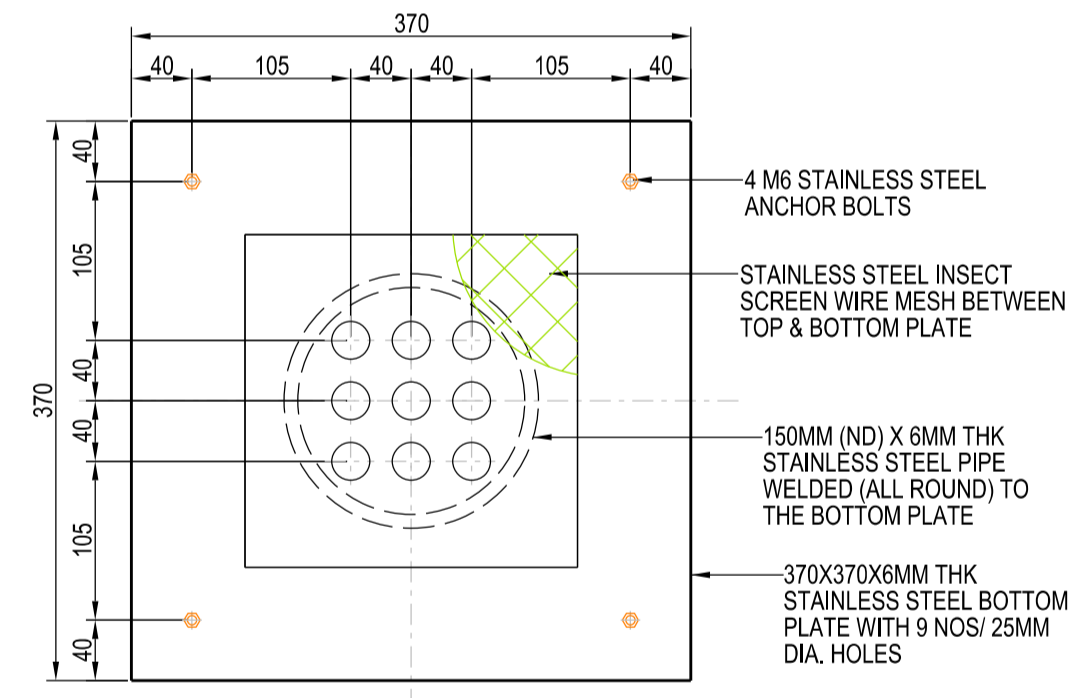
PLAN
DETAILS OF PRECAST RC COVER SLAB
SCALE 1:25

- NOTES:
1. ALL DIMENSIONS ARE IN MILLIMETRES UNLESS OTHERWISE STATED.
 2. THE CONTRACTOR SHALL REFER TO THE GENERAL NOTES IN DRAWING NO. PUB/WSN/001.
 3. ALL CHAMBERS INCLUDING RC HAUNCHING AND CLADDING SHALL BE DESIGNED AND ENDORSED BY A PROFESSIONAL ENGINEER (P.E.) AND SUBMITTED TO THE BOARD FOR APPROVAL.
 4. STAINLESS STEEL INSECT SCREEN WIRE MESH AT THE AIR VENTS SHALL BE CLEANED BEFORE ANY DRAINING OF PIPE FOR REPAIR OR FIRST-TIME CHARGING OF PIPELINE FOR COMMISSIONING.
 5. SAFETY CAGES SHALL BE INSTALLED FOR ALL STAINLESS STEEL LADDERS (GRADE 304) EXCEEDING 3M HEIGHT.
 6. THE DRAWING SHOWS THE TYPICAL ARRANGEMENT OF REINFORCEMENT WITHIN THE CONCRETE ELEMENTS. THIS IS FOR REFERENCE ONLY. THE P.E. SHALL UNDERTAKE DETAILED CALCULATIONS TO DETERMINE THE DETAILS OF THE REBAR REQUIRED AND SUBMIT (TOGETHER WITH THE ACCREDITED CHECKER, APPOINTED BY THE BOARD) TO BCA FOR APPROVAL.
 7. ALL COMPONENTS OF THE AIR VENT INCLUDING HOOD SHALL BE OF STAINLESS STEEL (GRADE 304).
 8. STAINLESS STEEL INSECT SCREEN WIRE MESH OF THE AIR VENTS SHALL BE CLEANED BEFORE ANY DRAINING OF PIPE FOR REPAIR OR FIRST-TIME CHARGING OF PIPELINE FOR COMMISSIONING.

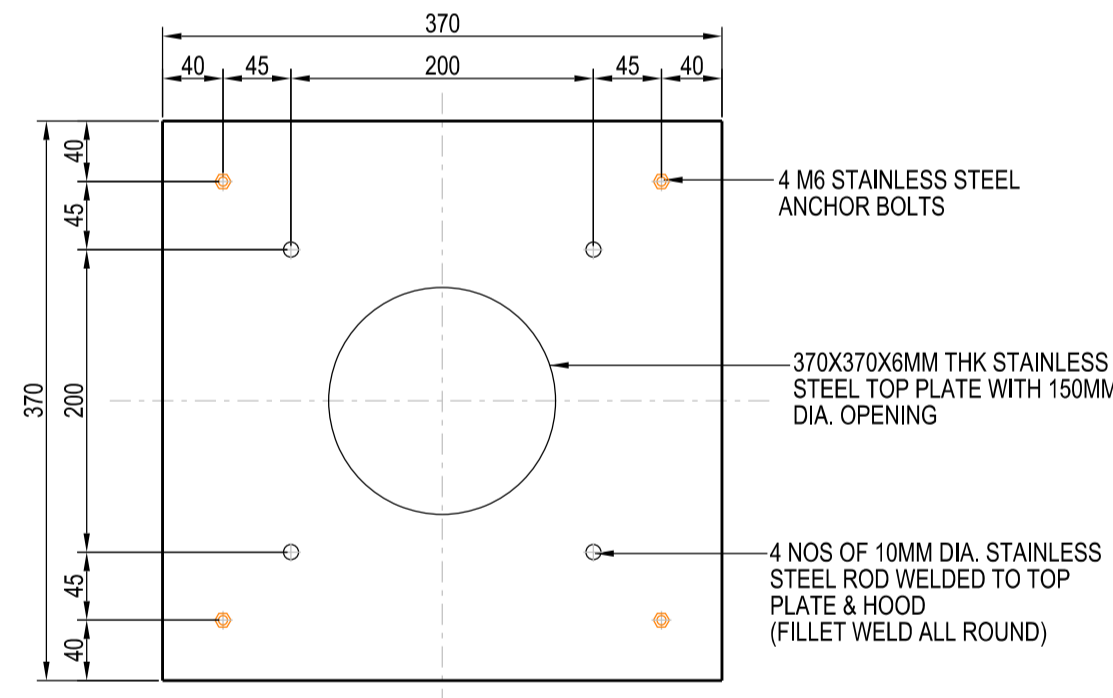
AIR VALVE CHAMBER FOR 1900 / 2200 NOMINAL DIA. PIPELINE
SCALE 1:25



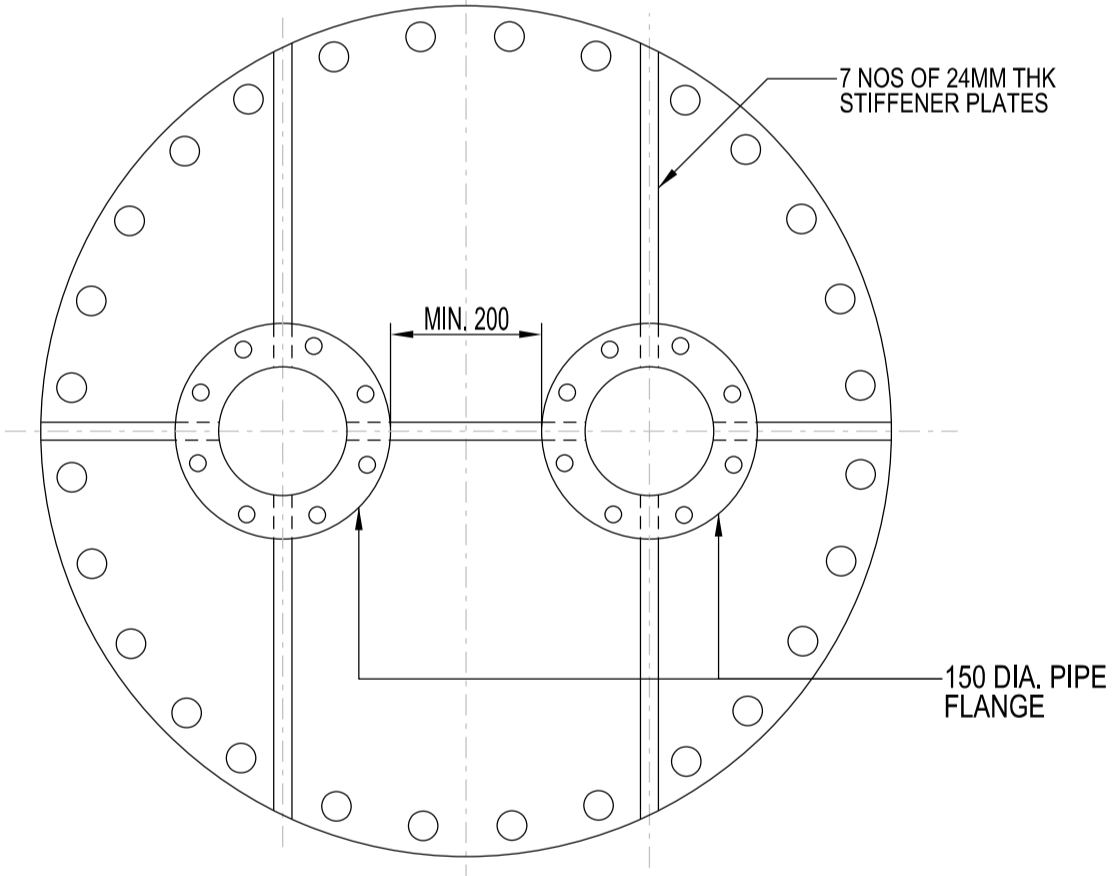
AIR VENT WITH HOOD DETAIL
SCALE 1:5



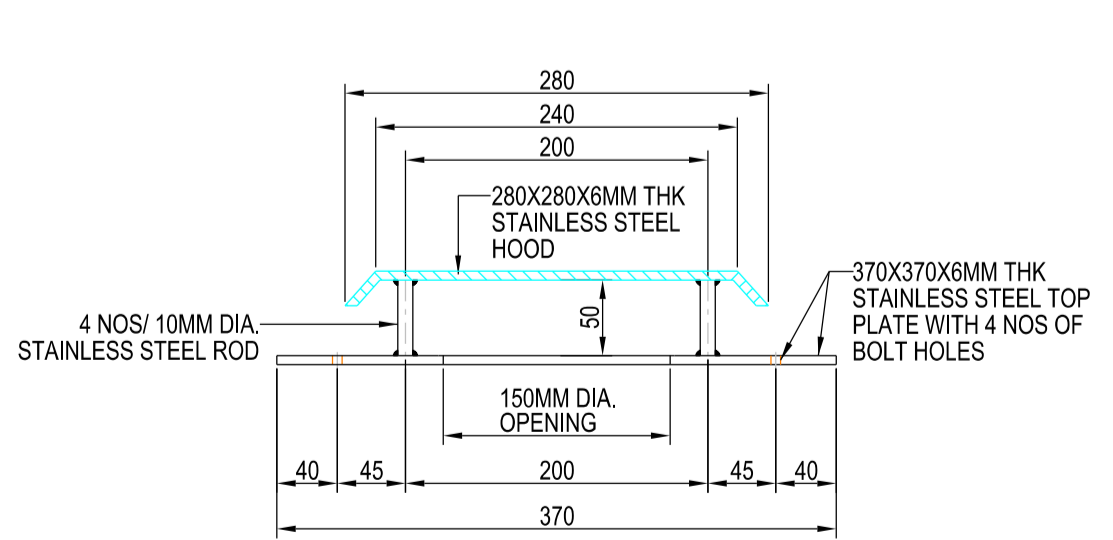
BOTTOM PLATE
SCALE 1:5



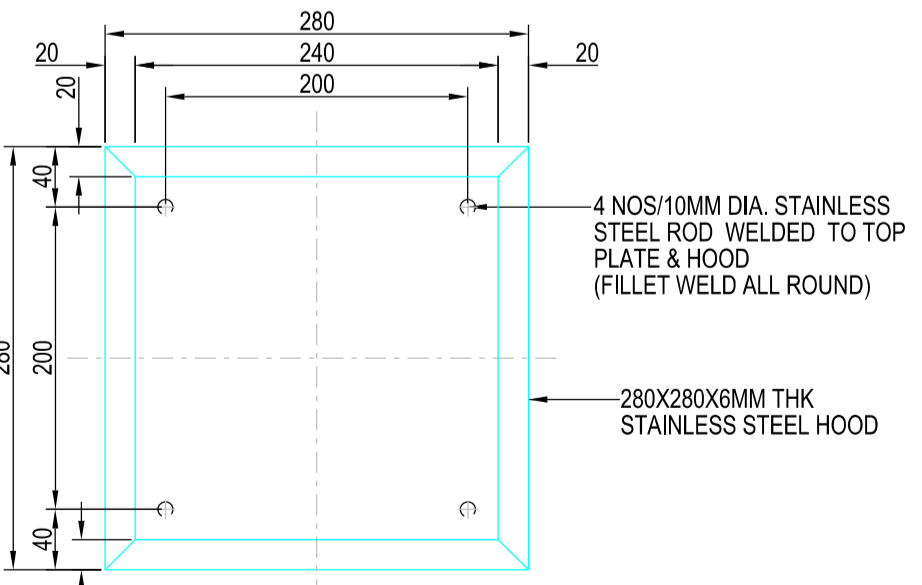
TOP PLATE
SCALE 1:5



FLANGED ADAPTER DETAILS
SCALE 1:10



DETAIL 1
STAINLESS STEEL HOOD DETAIL
SCALE 1:5



PLAN
STAINLESS STEEL HOOD
SCALE 1:5

ISSUED: NOV 2020

SCALE

LAST REVIEWED: NOV 2020

AS SHOWN

TYPICAL AIR VALVE CHAMBER (FOR 1900 AND 2200 DIA. PIPELINES)