

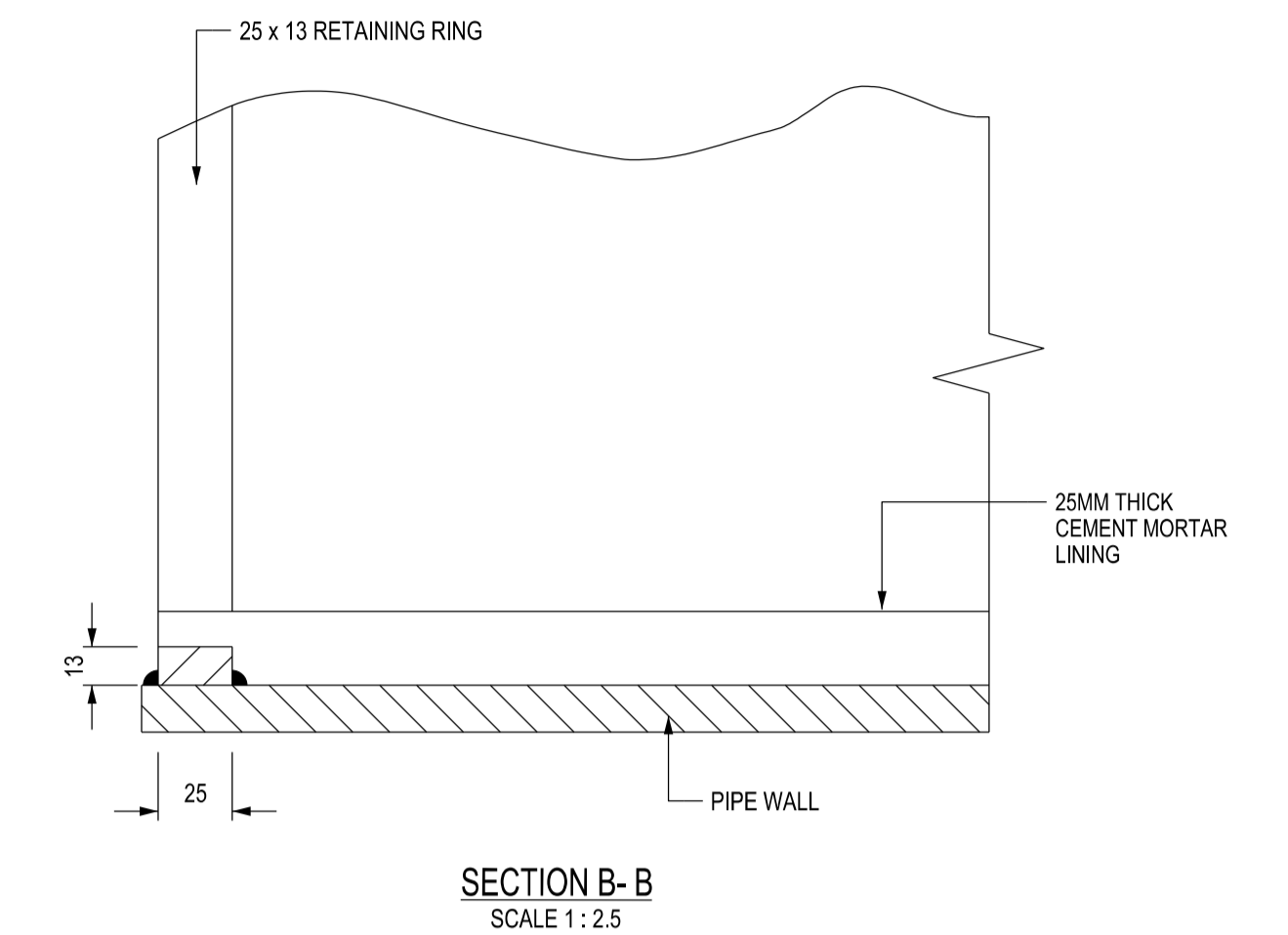
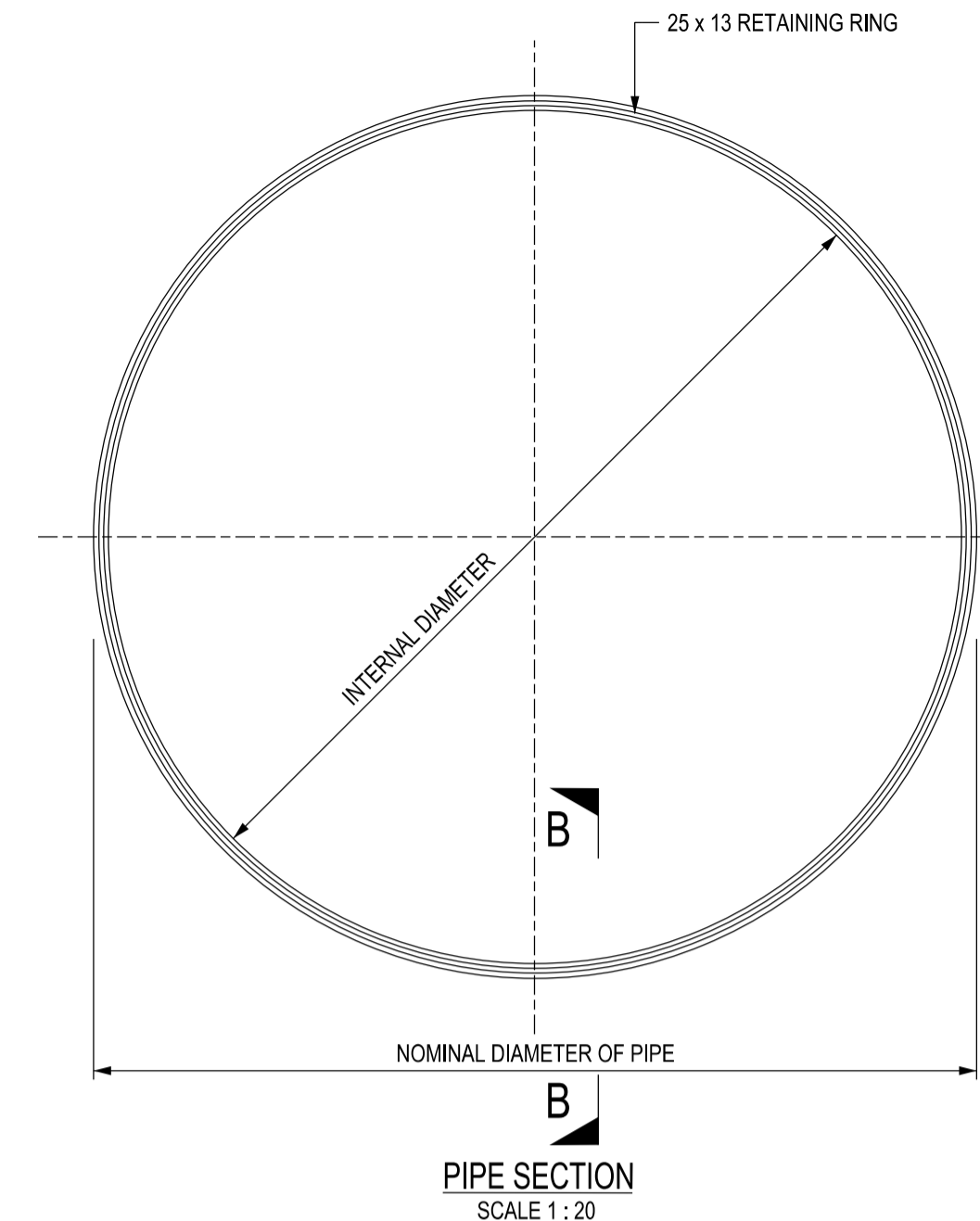
TABLE 1

NOMINAL DIAMETER OF PIPE (mm)	LENGTH 'L' (mm)	THICKNESS OF PLATE 't1' (mm)
<1200	100	20
≥1200	150	50

**PUDDLE FLANGE**

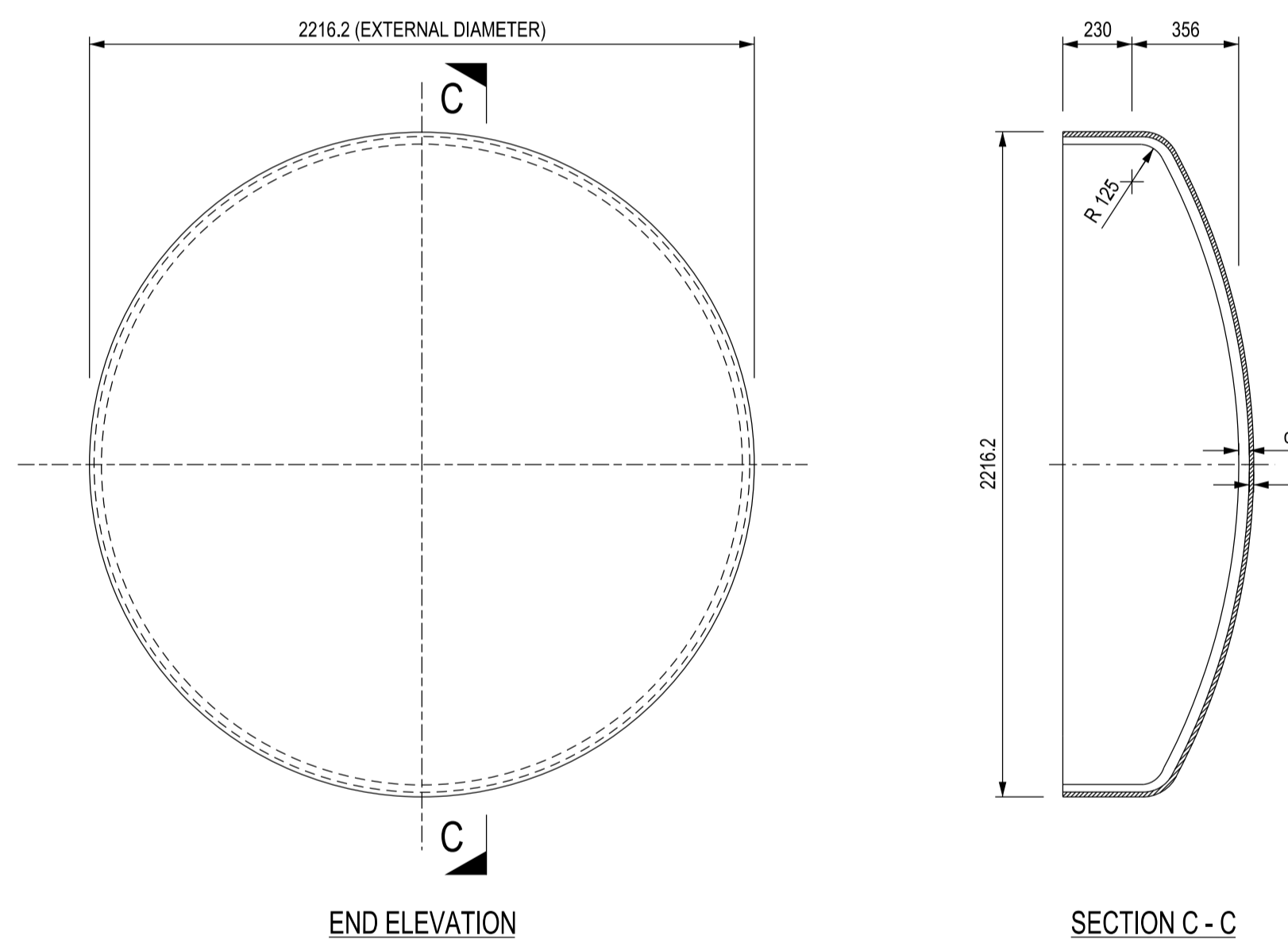
SCALE 1 : 20

NOTES: PUDDLE FLANGE SHALL BE FABRICATED IN TWO HALVES AND WELD ONTO PIPE ON EITHER SIDE OF PLATE.



**DETAILS OF RETAINING RING ≥ 1400MM DIA. (TO BE INSTALLED ON PIPES)**

NOTES:  
A. RETAINING RING SHALL BE PROVIDED FOR ALL PLAIN END PIPE WHERE DISMANTLING JOINT OR MECHANICAL COUPLING IS TO BE INSTALLED



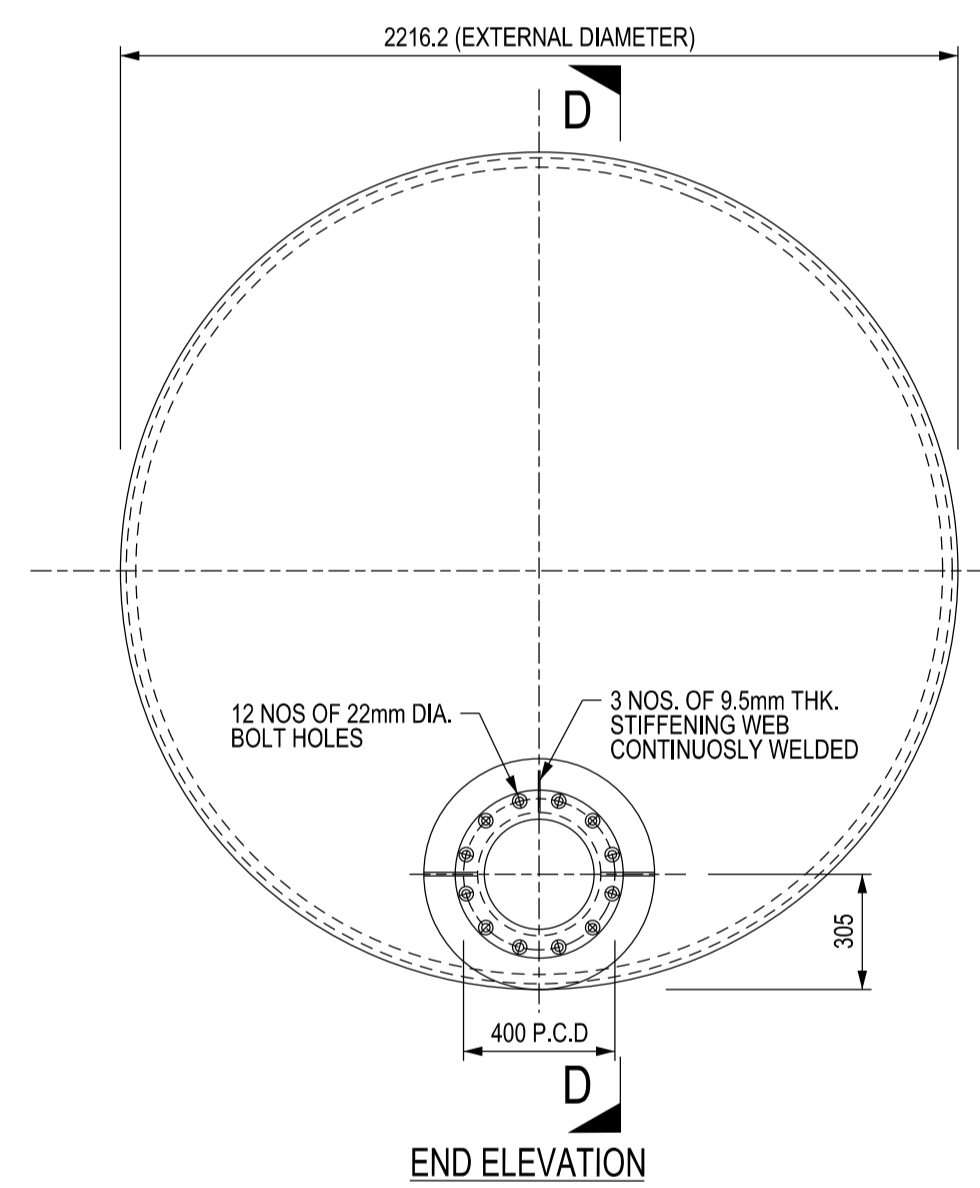
**DETAILS OF 2200mm DIA. DISHED END WITHOUT OFFTAKE**

SCALE 1 : 20

NOTES:  
A. ADOPT SIMILAR DESIGN FOR DISHED ENDS OF OTHER DIAMETERS.

TABLE 2

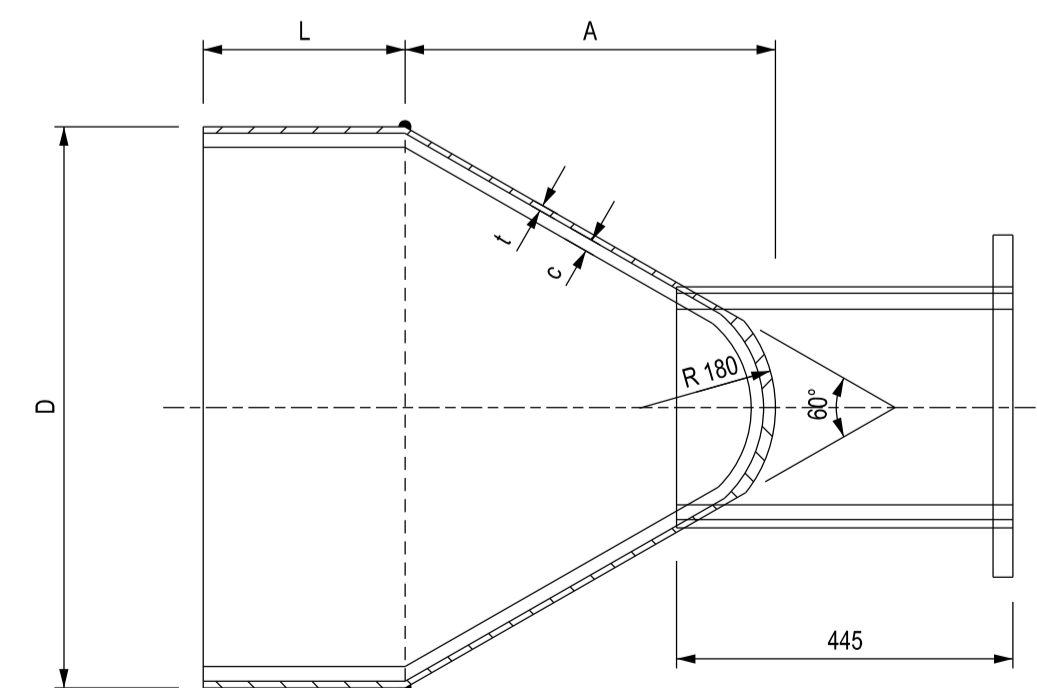
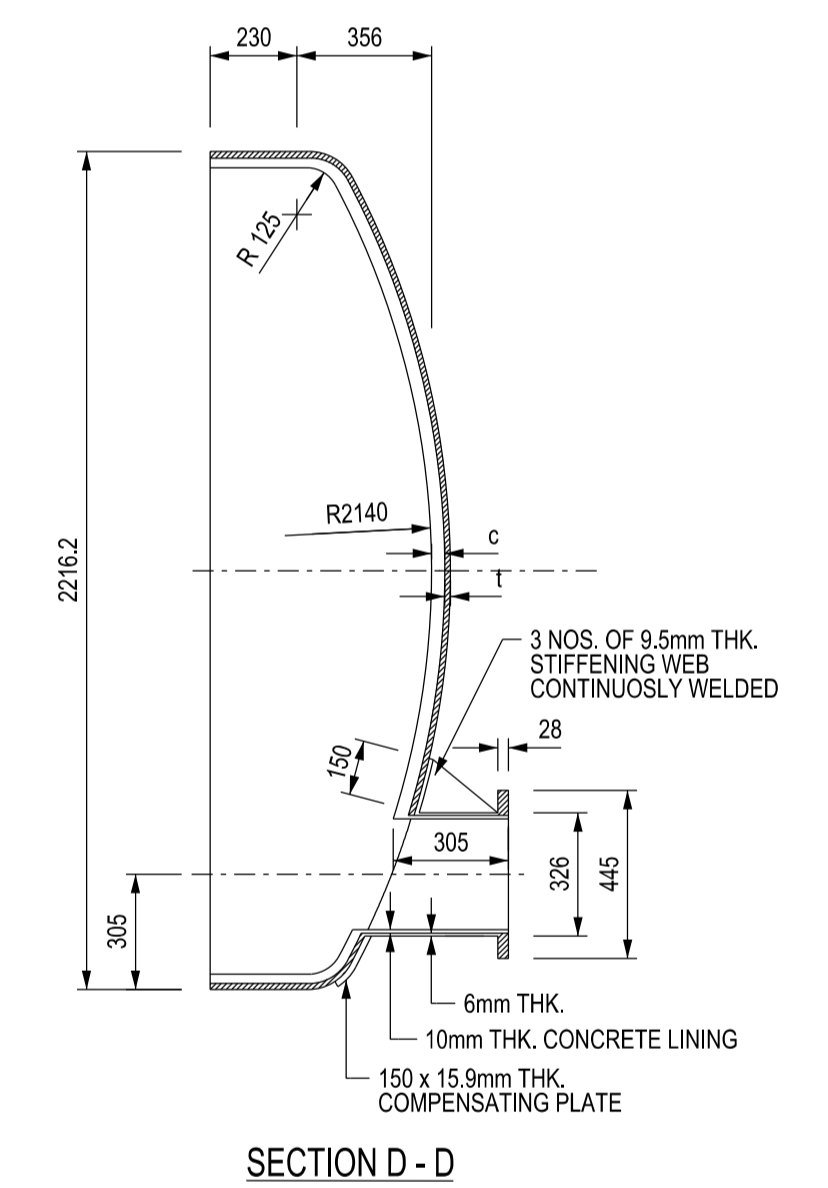
NOMINAL DIAMETER OF PIPE 'D' (mm)	THICKNESS OF STEEL SHELL 't' (mm)	'c' (mm)
700	9.5	13.0
800	12.7	19.0
900	12.7	19.0
1200	15.9	19.0
1400	15.9	25.0
1600	15.9	25.0
1800	15.9	25.0
1900	15.9	25.0
2200	19.0	25.0



**DETAILS OF 2200mm DIA. DISHED END WITH 300mm DIA. OFFTAKE**

SCALE 1 : 20

NOTES:  
A. ADOPT SIMILAR DESIGN FOR DISHED ENDS OF OTHER DIAMETERS.



**DETAILS OF CONICAL BLANK END WITH 300mm DIA. OFFTAKE**

SCALE 1 : 10

TABLE 3

NOMINAL DIAMETER OF PIPE 'D' (mm)	'L' (mm)	'A' (mm)	't' (mm)	'c' (mm)
700	610	400	9.5	13
800	915	535	12.7	19
900	915	630	12.7	19
1200	915	900	15.9	19
1400	915	1170	15.9	25
1600	1000	1210	15.9	25
1800	1000	1380	15.9	25
1900	1000	1525	15.9	25
2200	1000	1790	19.0	25

ISSUED : SEP 2020

SCALE

LAST REVIEWED : SEP 2020

AS SHOWN

**DETAILS OF PUDDLE FLANGE, RETAINING RING, DISHED END AND CONICAL BLANK END WITH 300mm DIA. OFFTAKE**