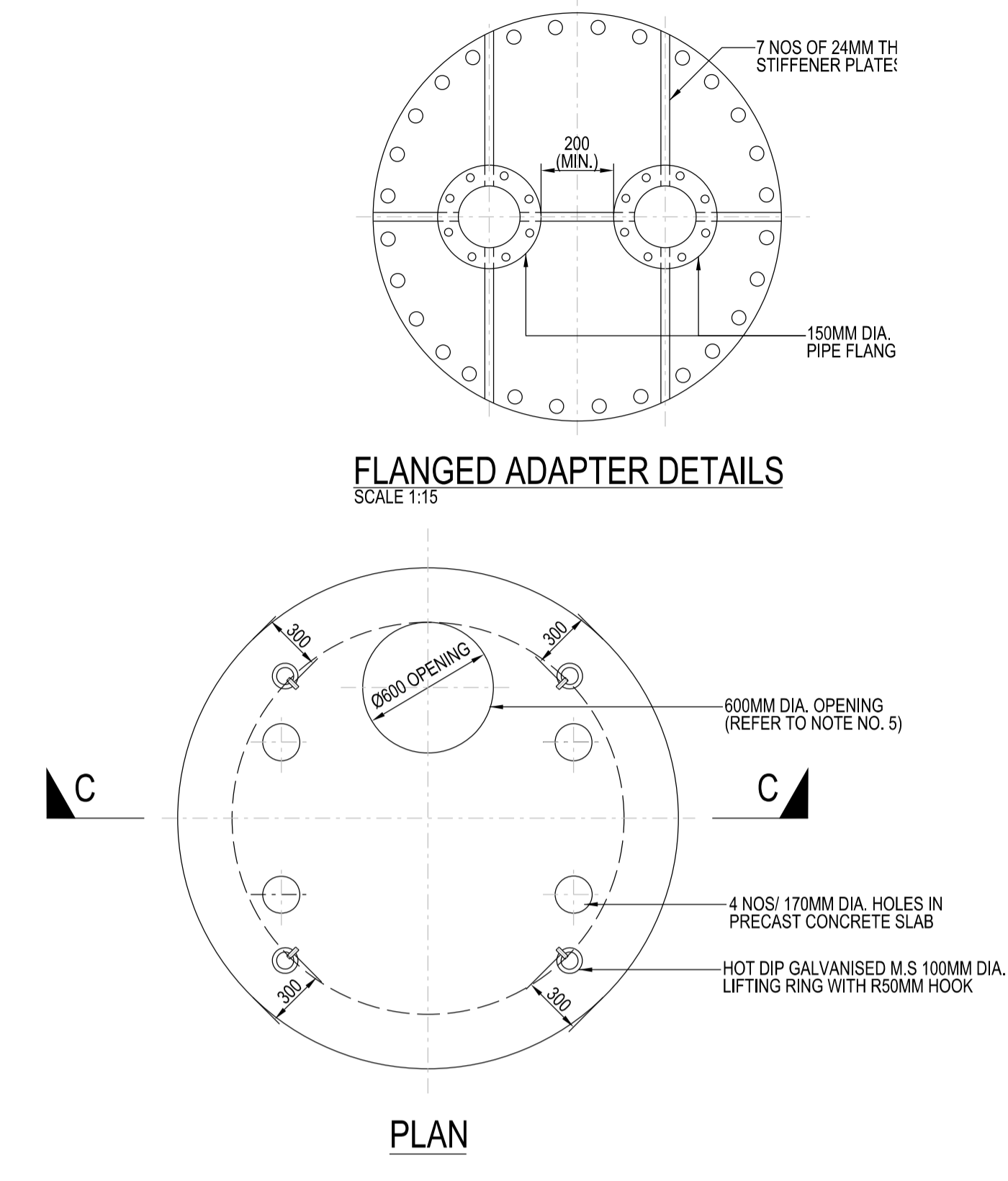
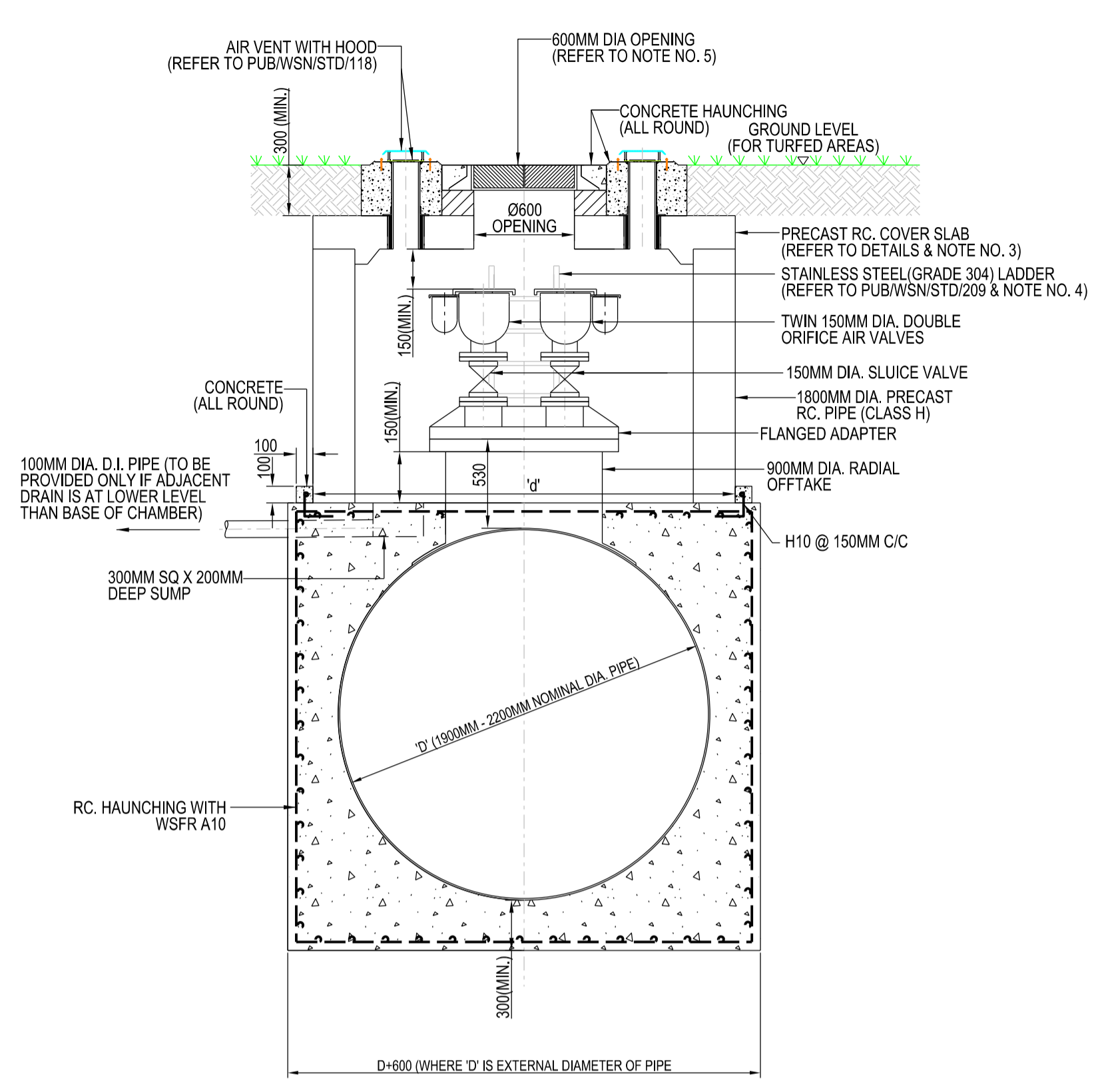
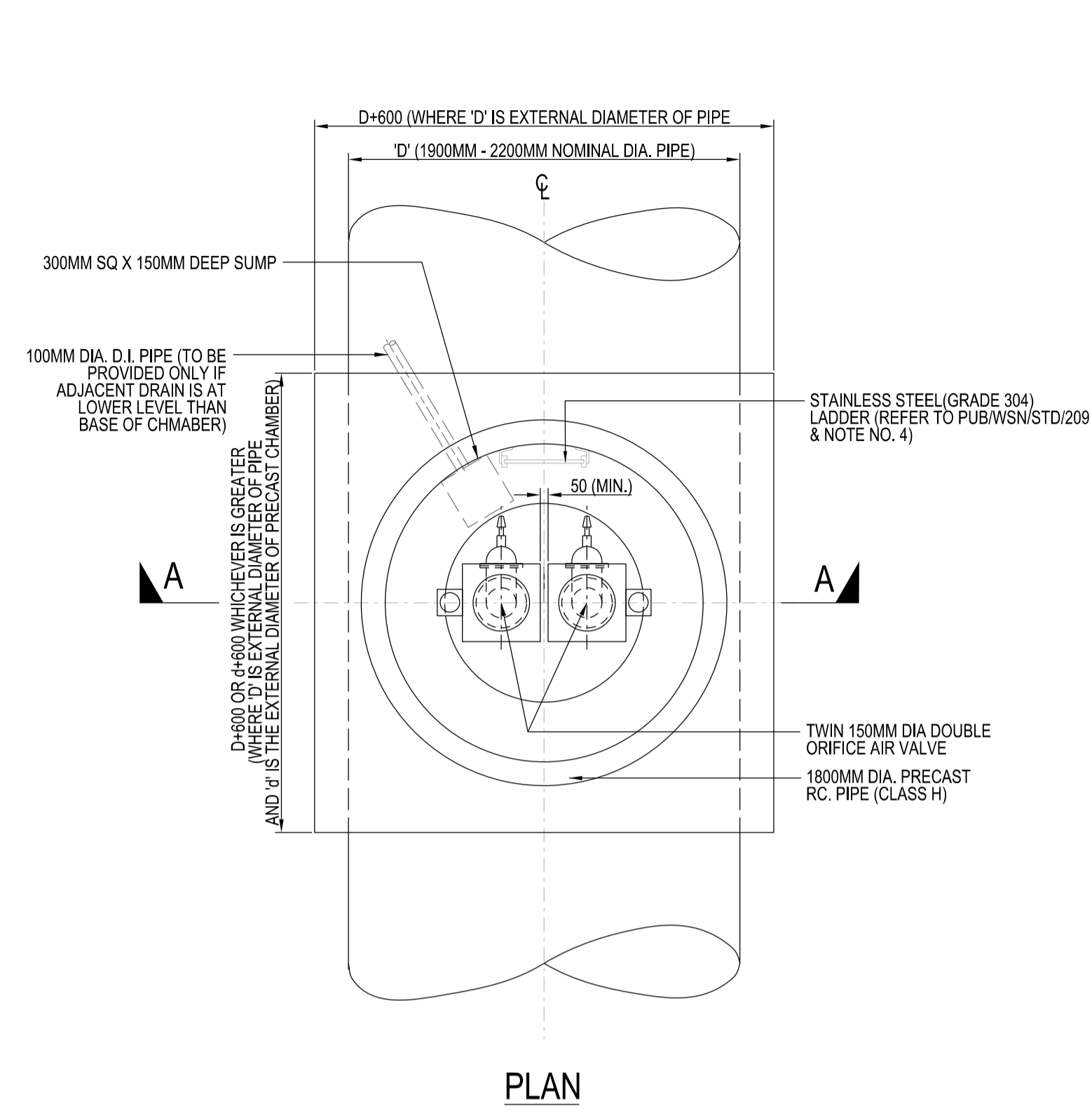
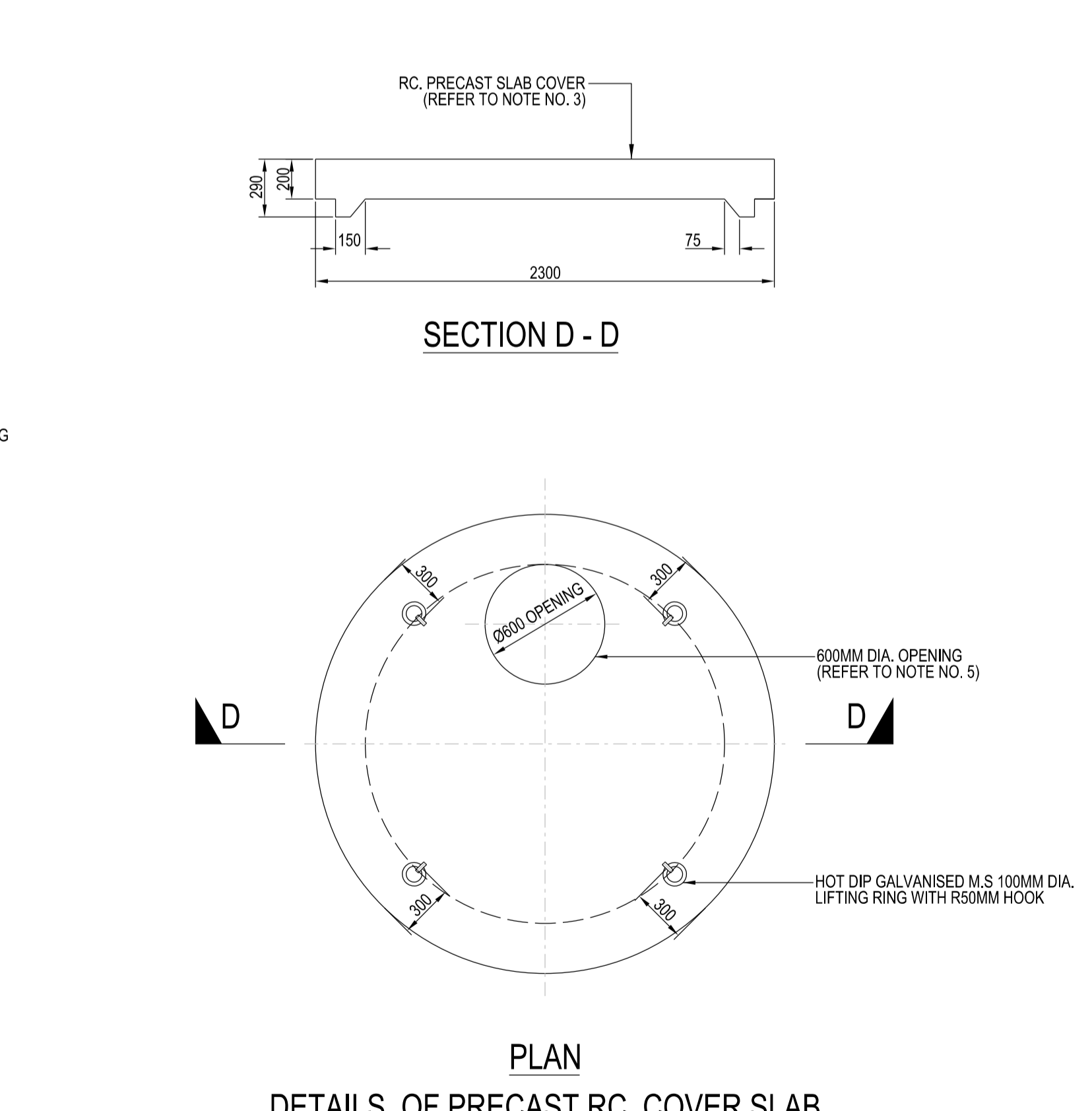
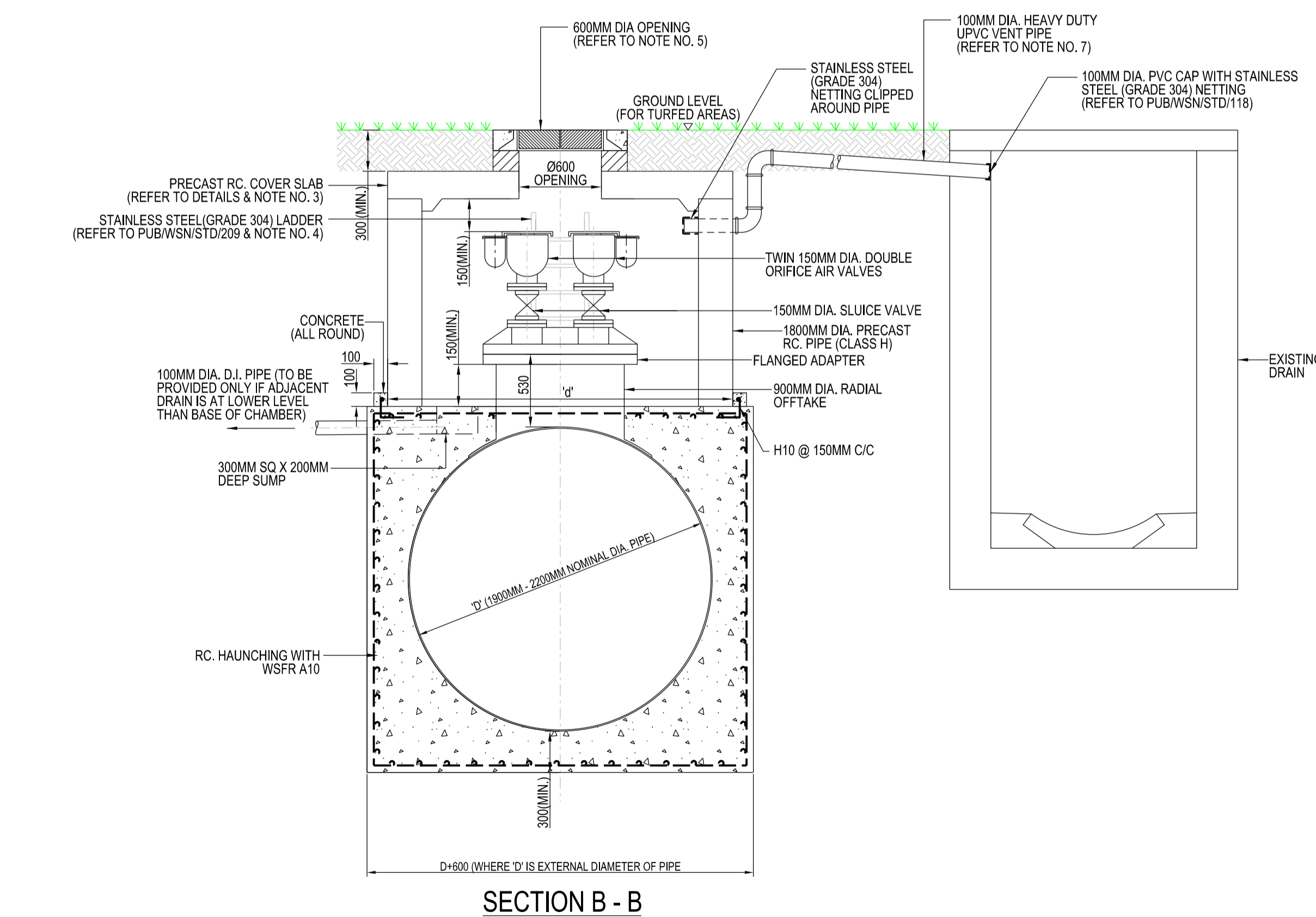
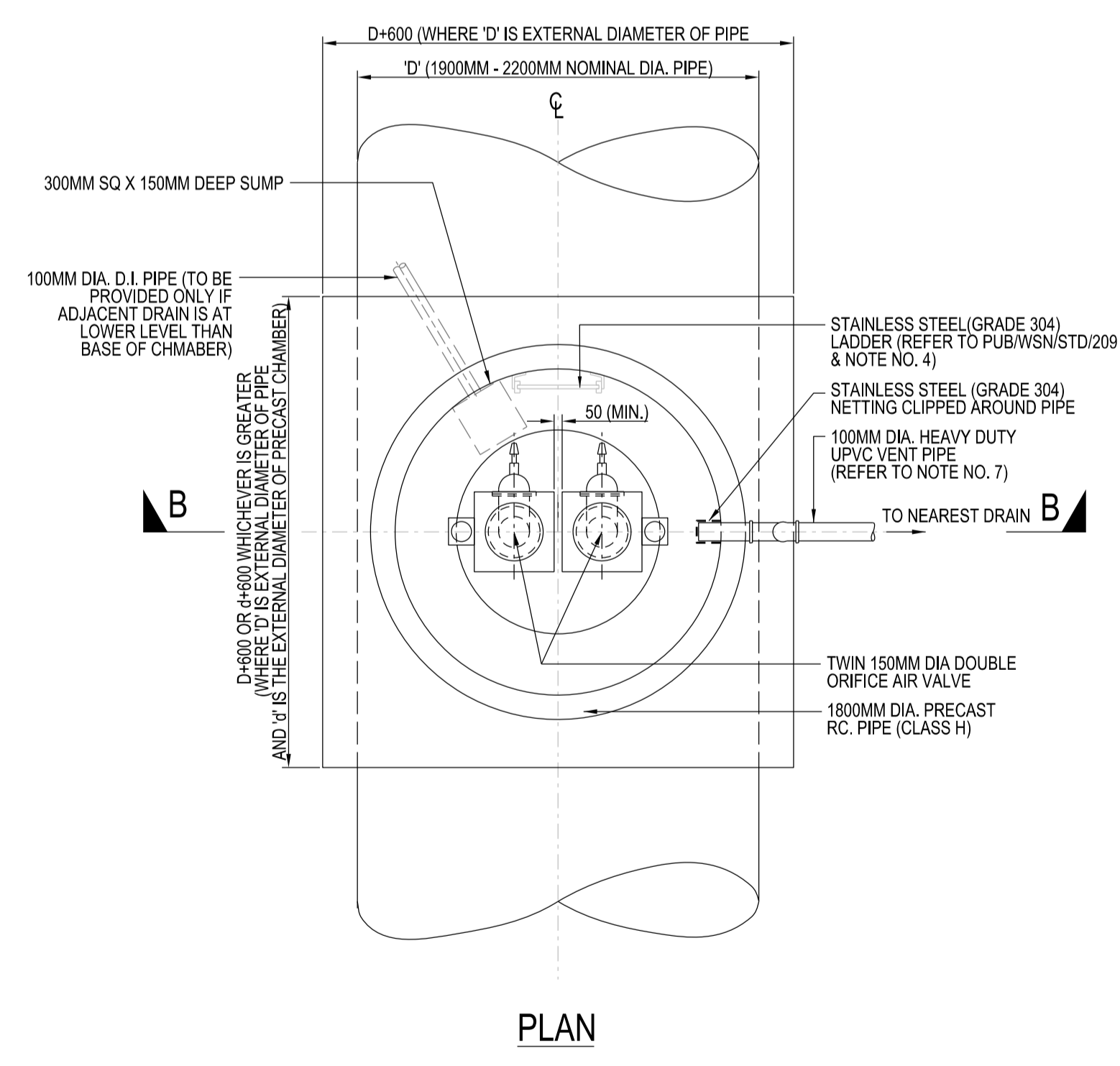


- NOTES:
1. ALL DIMENSIONS ARE IN MILLIMETRES UNLESS OTHERWISE STATED.
 2. THE CONTRACTOR SHALL REFER TO THE GENERAL NOTES IN DRAWING NO. PUB/WSN/0101.
 3. ALL CHAMBERS INCLUDING RC. HAUNCHING AND CLADDING SHALL BE DESIGNED AND ENDORSED BY A PROFESSIONAL ENGINEER (P.E.) AND SUBMITTED TO THE BOARD FOR APPROVAL.
 4. SAFETY CAGES SHALL BE INSTALLED FOR ALL STAINLESS STEEL LADDERS (GRADE 304) EXCEEDING 3M HEIGHT.
 5. ALL MANHOLE COVERS AND FRAME SHALL BE OF HEAVY DUTY DUCTILE IRON TO GRADE A1 UNDER SS30. STANDARD HEAVY DUTY DUCTILE IRON (GRADE A1) DOUBLE TRIANGULAR MANHOLE COVER AND FRAME (REFER TO PUB/WSN/STD/204) SHALL BE USED FOR 600MM DIA. OPENING.
 6. THE CONSULTANT'S P.E. SHALL UNDERTAKE THE DETAILED DESIGN OF THE CHAMBER AND SUBMIT (TOGETHER WITH THE ACCREDITED CHECKER APPOINTED BY THE BOARD) TO SUPERINTENDING OFFICER (S.O.) AND BCA FOR APPROVAL.
 7. AIR VENT WITH HOOD (SEE DRAWING NO. PUB/WSN/STD/118) SHALL BE PROVIDED ONLY IN OPEN COUNTRY. IN PUBLIC AREAS WITH HUMAN TRAFFIC, 100MM DIA. HEAVY DUTY UPVC VENT PIPE SHALL BE PROVIDED TO THE NEAREST DRAIN INSTEAD.



AIR VENT WITH HOOD

DETAILS OF PRECAST RC. COVER SLAB WITH AIR VENT OPENING



100MM DIA. HEAVY DUTY UPVC VENT PIPE

DETAILS OF PRECAST RC. COVER SLAB

AIR VALVE CHAMBER FOR 1900MM / 2200MM NOMINAL DIA. PIPELINE
SCALE 1:30

ISSUED: NOV 2020	SCALE	DRAWING NO.
LAST REVIEWED: AUG 2021	AS SHOWN	PUB/WSN/STD/106

TYPICAL AIR VALVE CHAMBER (FOR 1900MM AND 2200MM DIA. PIPELINES)