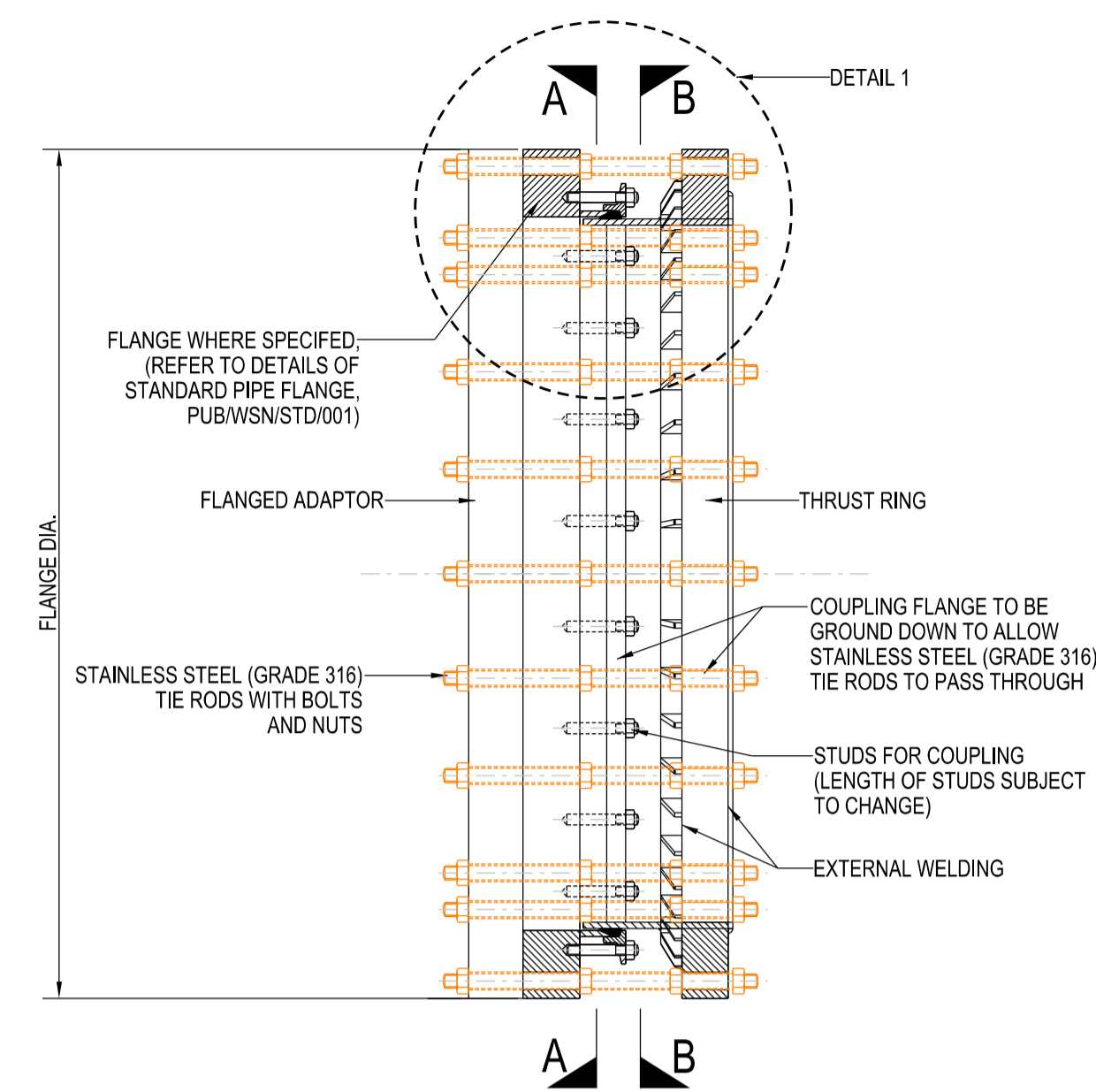
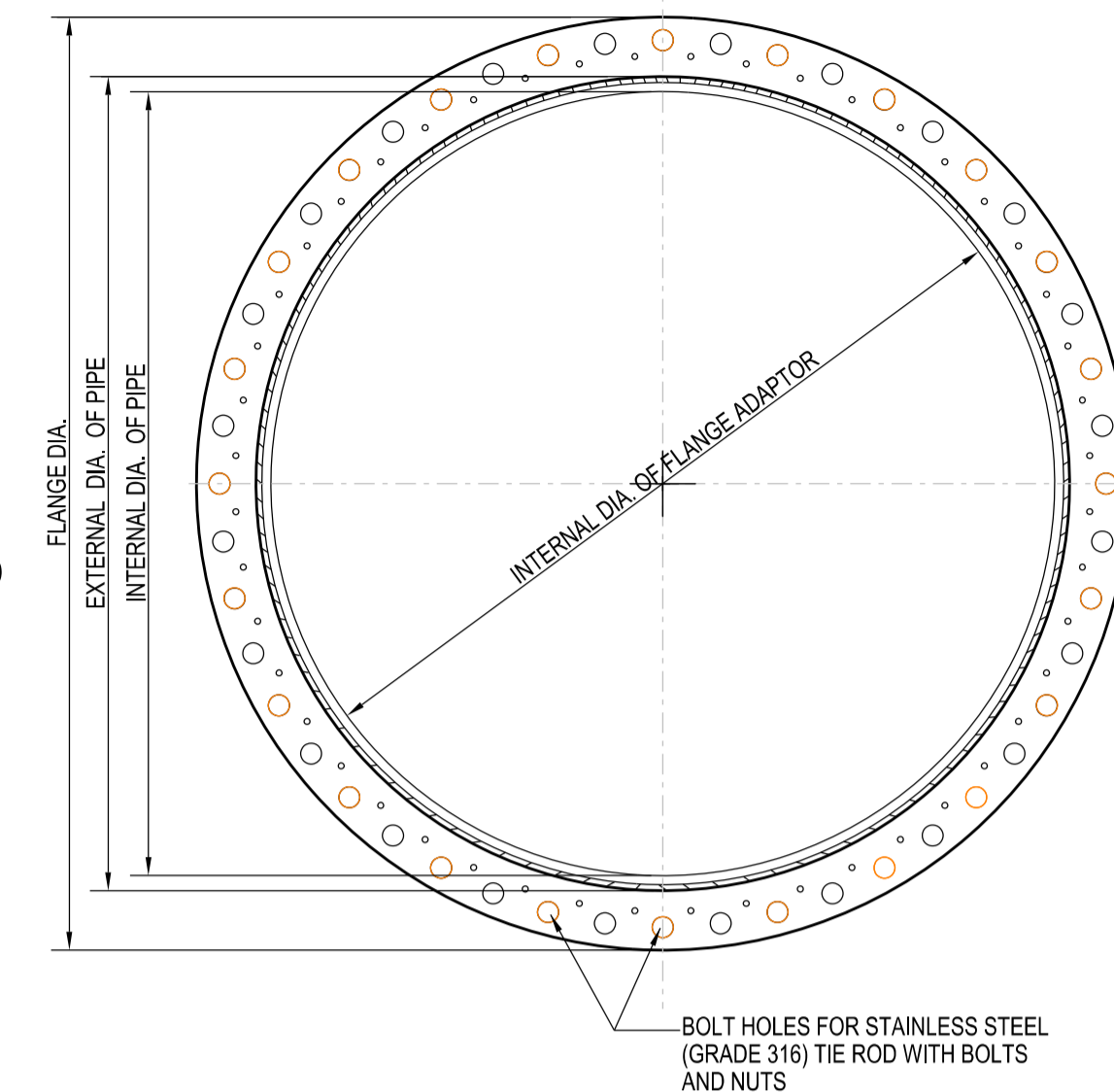


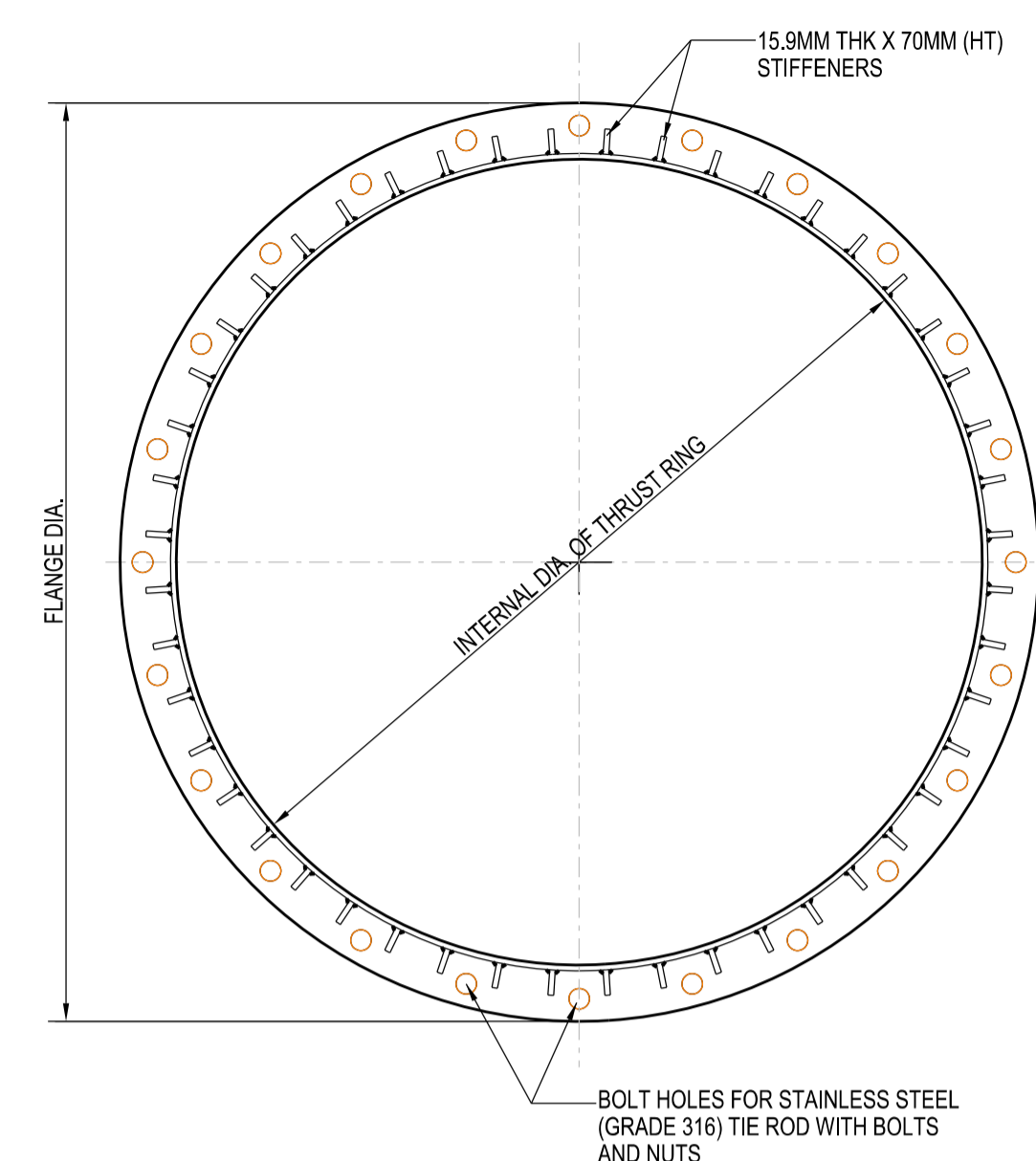
NOTES:
 1. ALL DIMENSIONS ARE IN MILLIMETRES UNLESS OTHERWISE STATED.
 2. REFER TO THE GENERAL NOTES IN DRAWING NO. PUB/WSN/IGN/001.
 3. FLANGES OF DISMANTLING JOINT TO MATCH THE PIPE FLANGE. REFER TO DRAWINGS NO. PUB/WSN/STD/001.



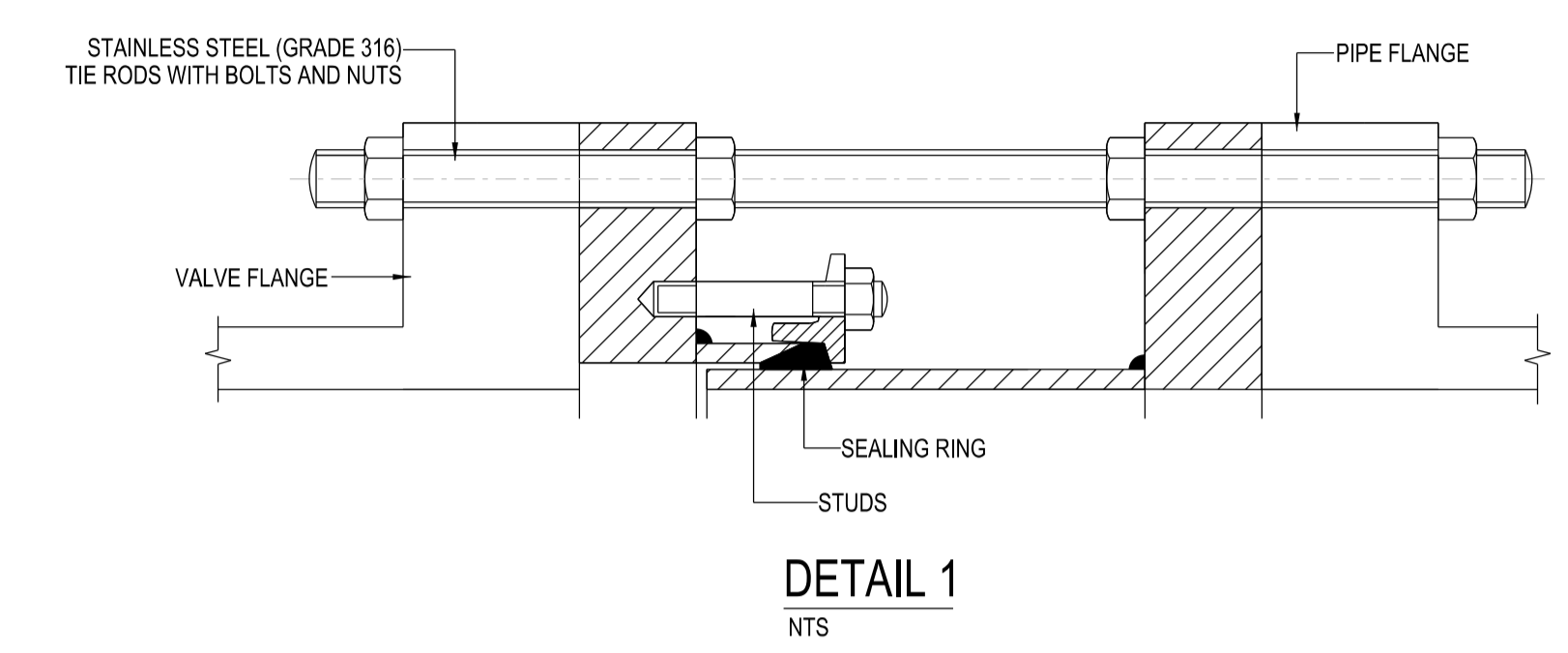
DETAIL OF DISMANTLING JOINT (PN16)
 SCALE 1:20
 NOTES:
 A. THE STUDS COMPRESS THE GASKET AND SHALL BE INDEPENDENT OF THE TIE RODS.
 B. CONTRACTOR NEEDS TO VERIFY WITH SUPPLIER THE MAXIMUM / MINIMUM LENGTH BEFORE FABRICATION OF TAIL PIECE.
 C. MAXIMUM LONGITUDINAL ADJUSTMENT = MAXIMUM LENGTH - MINIMUM LENGTH



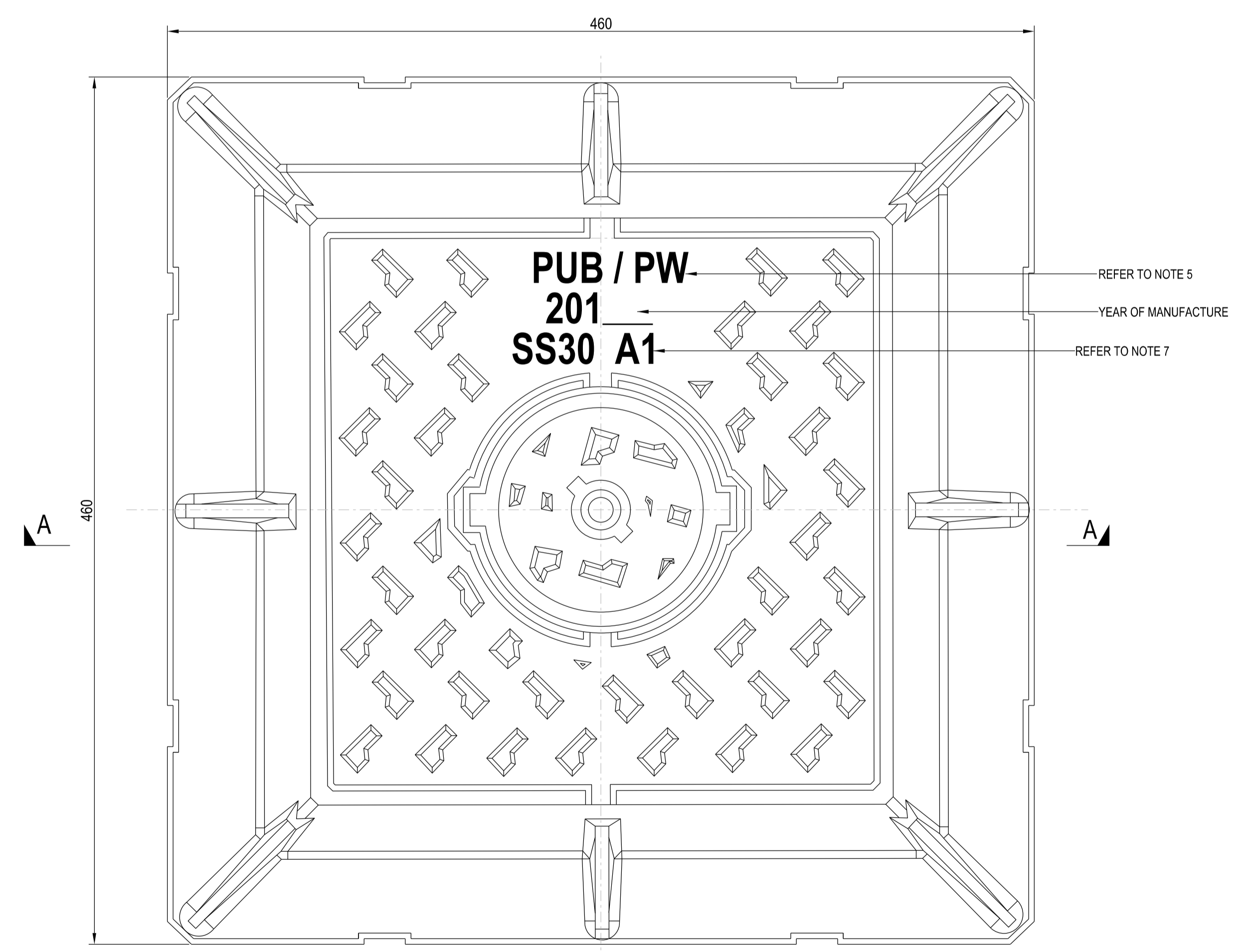
SECTION A-A
 SCALE 1:20



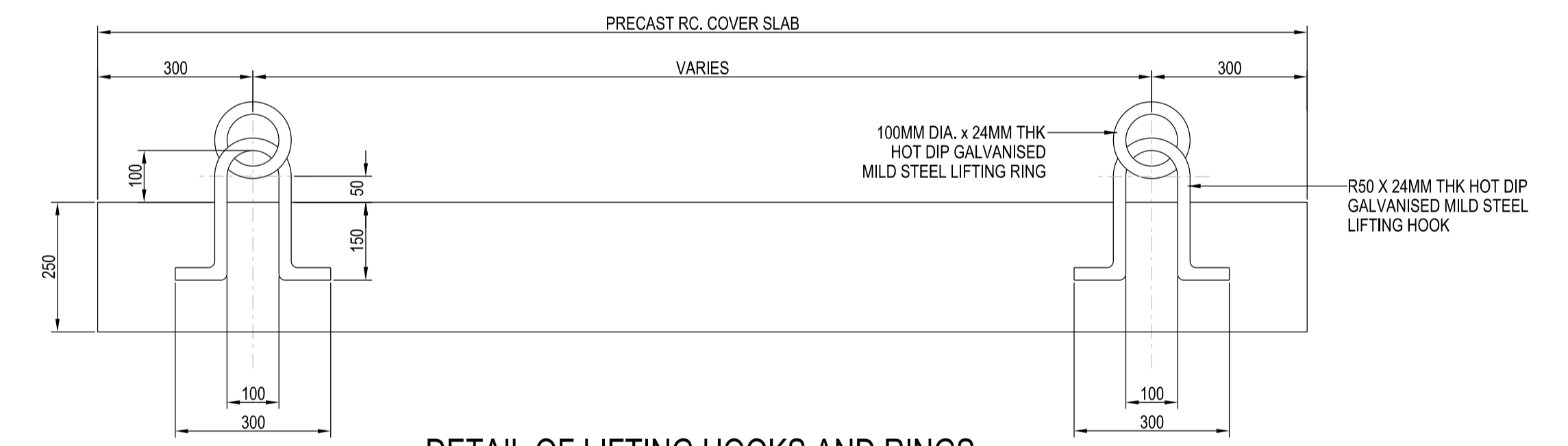
SECTION B-B
 SCALE 1:20



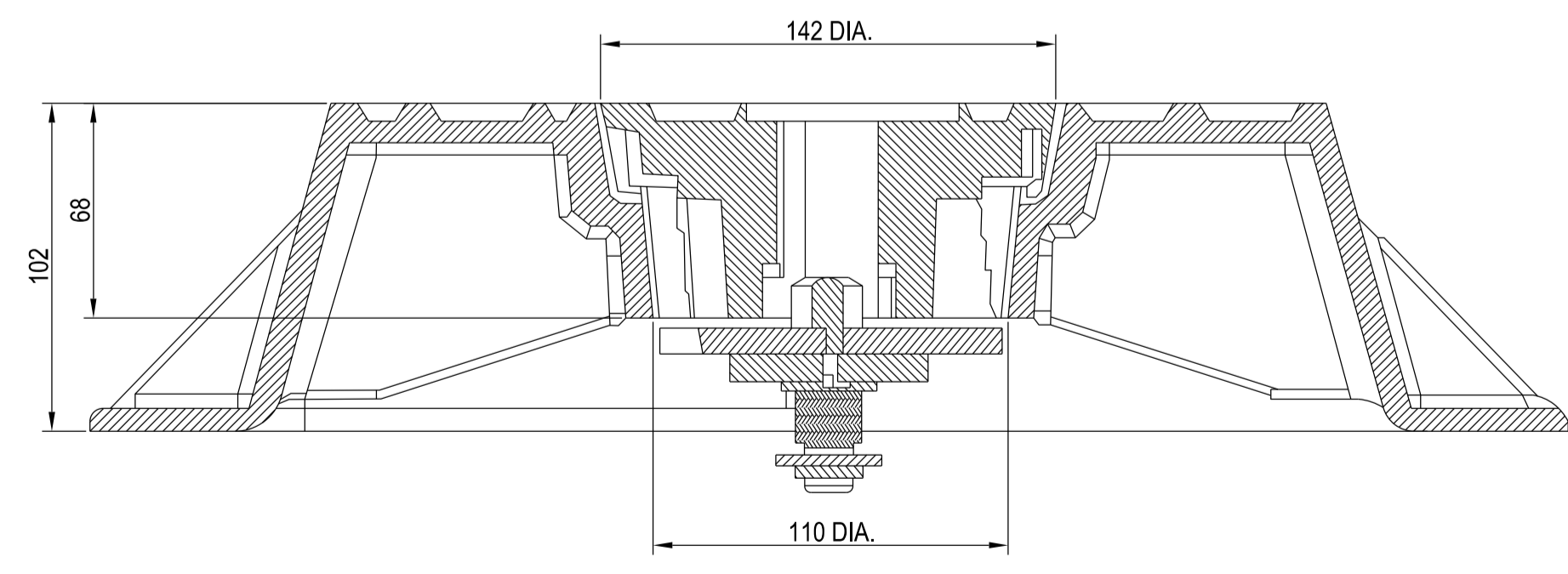
DETAIL 1
 NTS



PLAN
STANDARD KEYLESS MANHOLE FRAME AND COVER
 (FOR VALVE SPINDLES ALONG CARRIAGEWAY)
 SCALE 1:2



DETAIL OF LIFTING HOOKS AND RINGS
 SCALE 1:10



SECTION A-A

- NOTE:
- 1) THE MANHOLE COVER SHALL BE SECURED BY A PROPRIETARY LOCKING MECHANISM, WHERE A CODED KEY IS REQUIRED FOR UNLOCKING OPENING.
 - 2) THE MANHOLE COVERS SHALL BE DESIGNED TO WITHSTAND HEAVY VEHICULAR LOADING.
 - 3) THE MANHOLE COVERS SHALL COMPLY WITH THE MINIMUM SKID RESISTANCE OF 65 BPN AS STIPULATED IN LTA CODE OF PRACTICE FOR WORKS ON PUBLIC STREETS.
 - 4) MATERIAL FOR MANHOLE FRAME AND COVER SHALL BE SG IRON 500-7 IN ACCORDANCE TO EN 1563.
 - 5) LABEL ON MANHOLE COVERS SHALL BE: PUB-PW FOR POTABLE WATER, PUB-NW FOR NEWATER.
 - 6) MANHOLE COVERS FOR NEWATER PIPELINES SHALL BE PAINTED PURPLE (COLOUR CODE:22-C-37)
 - 7) THE TEST CERTIFICATE FROM A RECOGNISED INDEPENDENT TESTING AGENCY TO PROVE THE MANHOLE FRAME AND COVER COMPLIES WITH SINGAPORE STANDARD SS30, 'SPECIFICATION FOR MANHOLE TOPS AND SURFACE TOPS' OR EQUIVALENTS.

ISSUED : SEP 2017

SCALE: AS SHOWN
 DRAWING NO.: PUB/WSN/STD/109

LAST REVIEWED : AUG 2021

DETAILS OF DISMANTLING JOINT, LIFTING RINGS WITH HOOKS AND KEYLESS MANHOLE FRAME & COVER