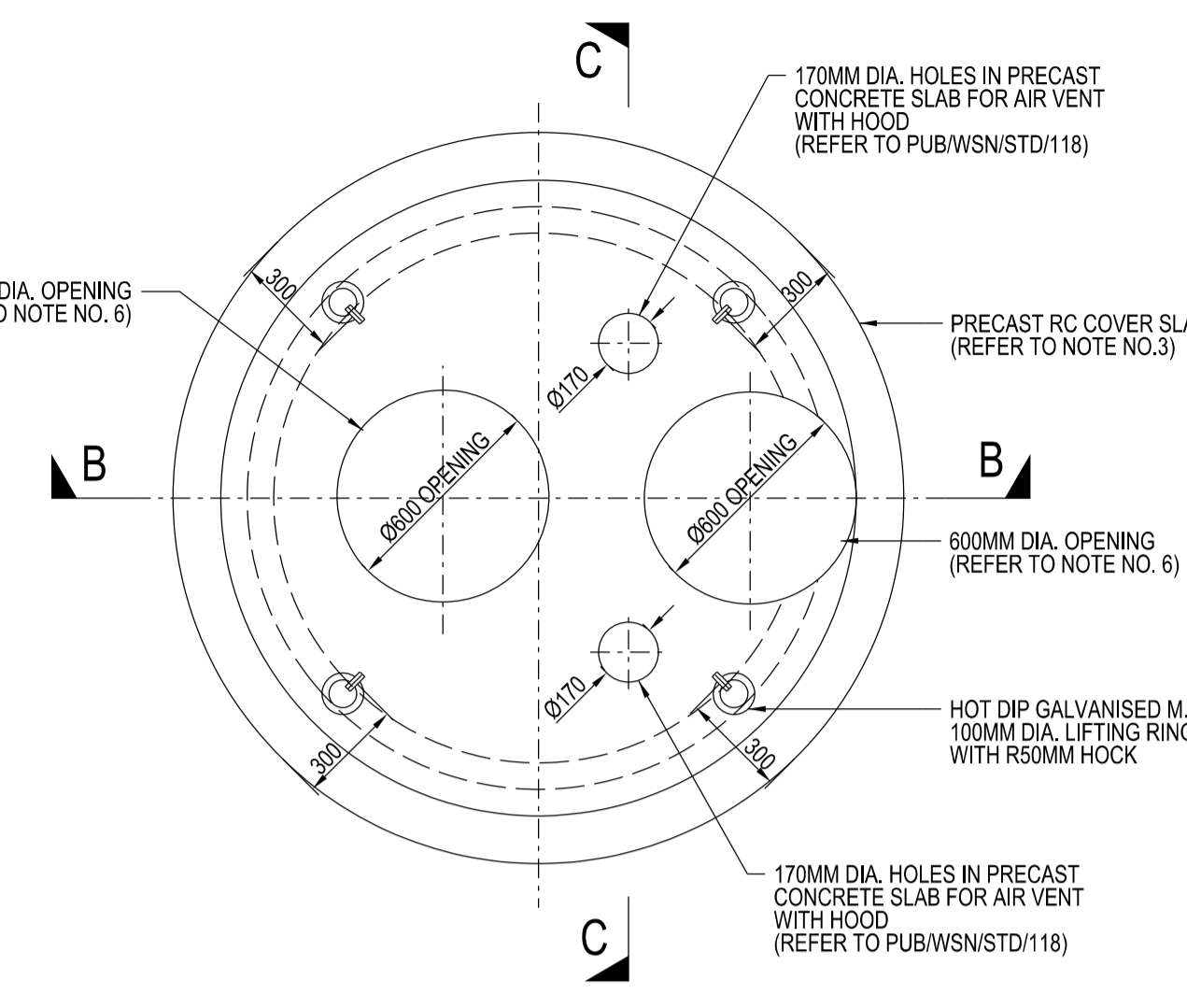
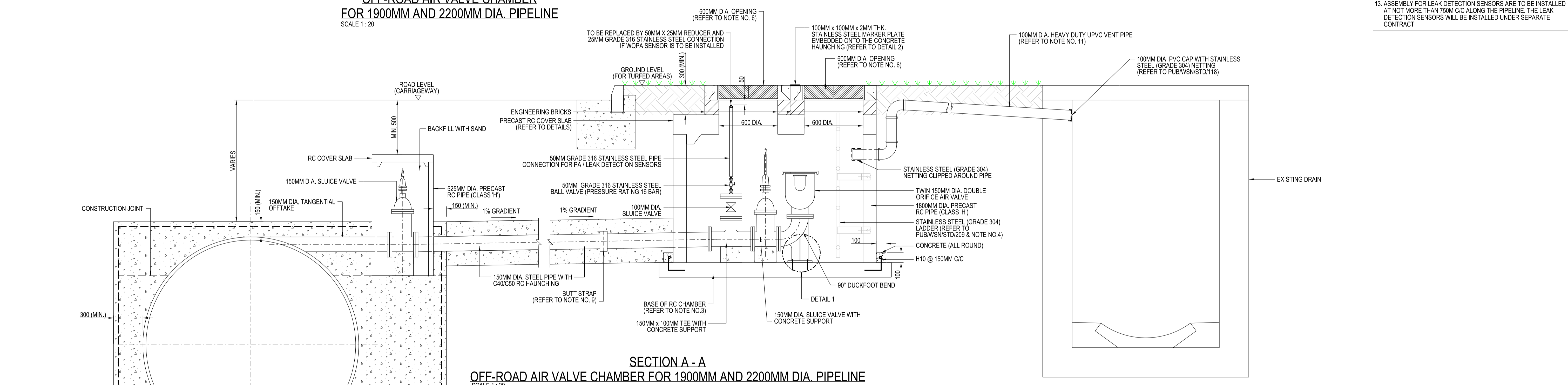


**PLAN**  
**OFF-ROAD AIR VALVE CHAMBER**  
**FOR 1900MM AND 2200MM DIA. PIPELINE**  
 SCALE 1 : 20

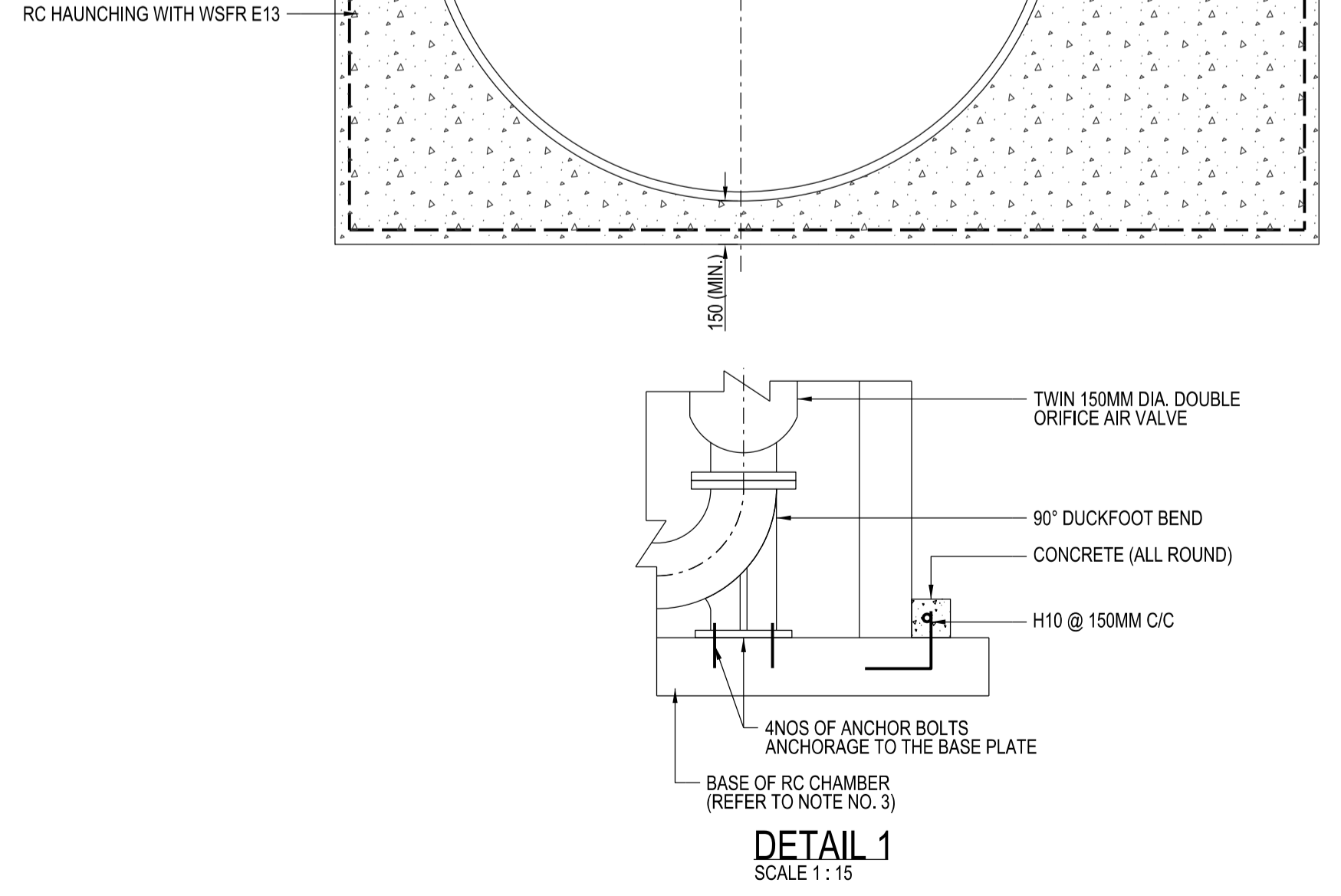


**PLAN OF PRECAST RC COVER SLAB**

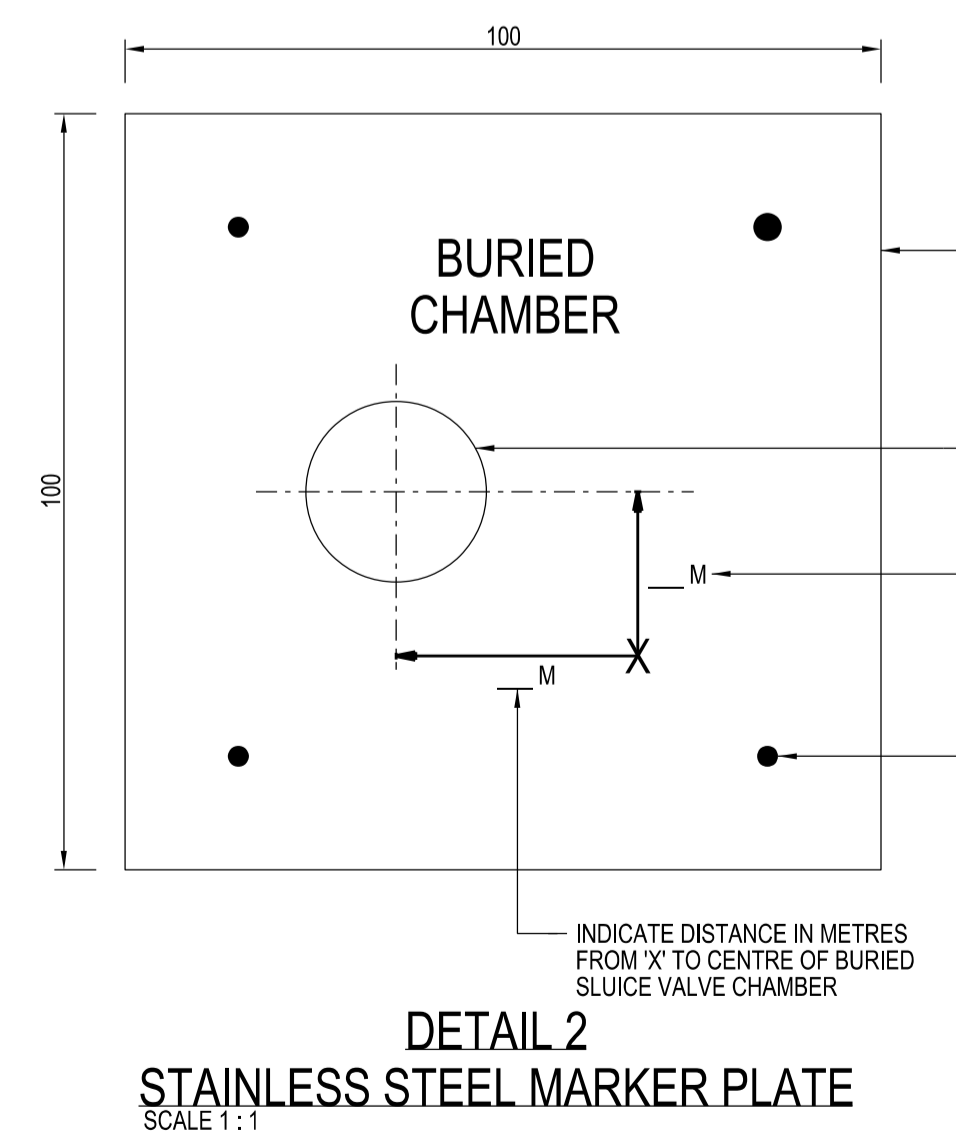
- NOTES:
1. ALL DIMENSIONS ARE IN MILLIMETRES UNLESS OTHERWISE STATED.
  2. THE CONTRACTOR IS TO MAKE REFERENCE TO THE GENERAL NOTES IN DRAWING NO. PUB/WSN/GN001.
  3. ALL CHAMBERS INCLUDING RC, HAUNCHING AND CLADDING SHALL BE DESIGNED AND ENDORSED BY A PROFESSIONAL ENGINEER (P.E).
  4. SAFETY CAGES SHALL BE INSTALLED FOR ALL STAINLESS STEEL LADDERS (GRADE 304) EXCEEDING 3M HEIGHT.
  5. STAINLESS STEEL MARKER PLATES AND BOLTS SHALL BE OF GRADE 316.
  6. ALL MANHOLE COVERS AND FRAME SHALL BE OF HEAVY DUTY DUCTILE IRON TO GRADE A1 UNDER SS30. STANDARD HEAVY DUTY DUCTILE IRON (GRADE A1) DOUBLE TRIANGULAR MANHOLE COVER AND FRAME (REFER TO PUB/WSN/STD/204) SHALL BE USED FOR 600MM DIA. OPENING.
  7. THE MARKINGS ON THE MARKER PLATE TO BE EMBOSSED AND PAINTED IN BLACK.
  8. THE CONTRACTOR SHALL SUBMIT A SHOP DRAWING OF THE MARKER PLATE FOR THE APPROVAL OF THE S.O BEFORE FABRICATION.
  9. BUTT STRAP SHALL BE USED IF THE PIPE LENGTH EXCEEDS THE STANDARD, FLANGED JOINTS, COLLARS AND MECHANICAL COUPLINGS ARE NOT PERMITTED.
  10. THE CONSULTANT'S P.E. SHALL UNDERTAKE THE DETAILED DESIGN OF THE CHAMBER AND SUBMIT TOGETHER WITH THE ACCREDITED CHECKER APPOINTED BY THE BOARD) TO SUPERINTENDING OFFICER (S.O) AND BCA FOR APPROVAL.
  11. AIR VENT WITH HOOD (SEE DRAWING NO. PUB/WSN/STD/118) SHALL BE PROVIDED ONLY IN OPEN COUNTRY. IN PUBLIC AREAS WITH HUMAN TRAFFIC, 100MM DIA. HEAVY DUTY UPVC VENT PIPE SHALL BE PROVIDED TO THE NEAREST DRAIN INSTEAD.
  12. FOR DETAILS OF SENSOR ASSEMBLY, PLEASE REFER TO DRAWING NO. PUB/WSN/STD/108.
  13. ASSEMBLY FOR LEAK DETECTION SENSORS ARE TO BE INSTALLED AT NOT MORE THAN 150M C/C ALONG THE PIPELINE. THE LEAK DETECTION SENSORS WILL BE INSTALLED UNDER SEPARATE CONTRACT.



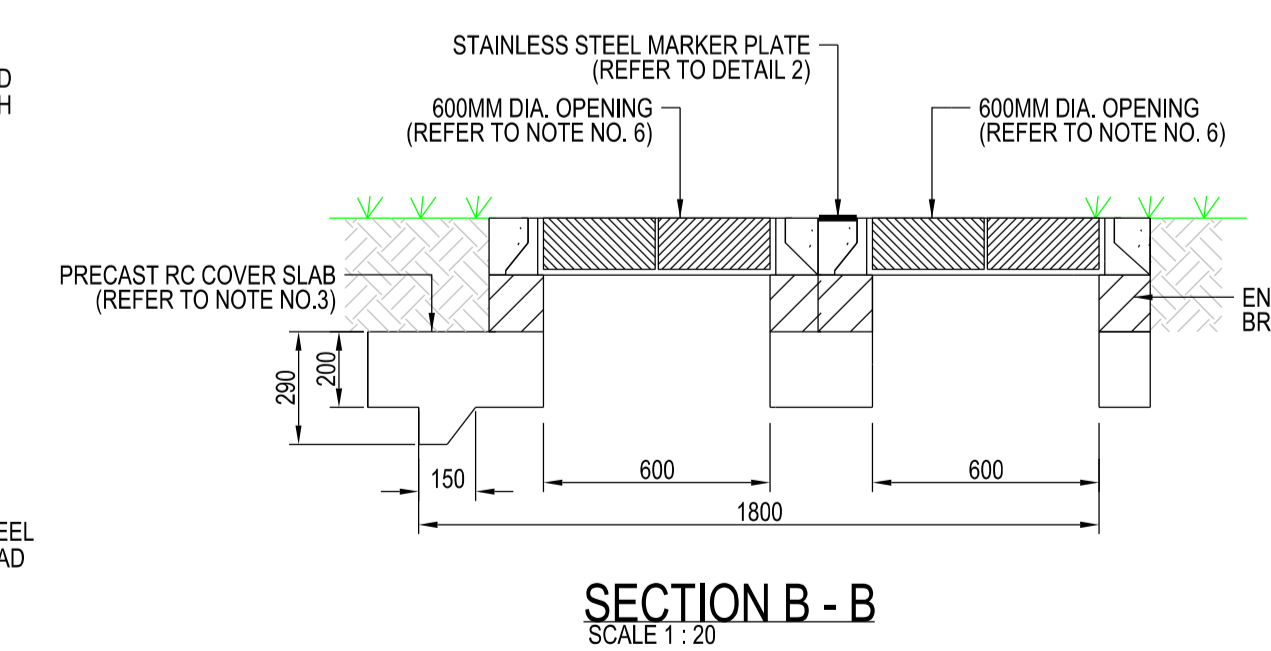
**SECTION A - A**  
**OFF-ROAD AIR VALVE CHAMBER FOR 1900MM AND 2200MM DIA. PIPELINE**  
 SCALE 1 : 20



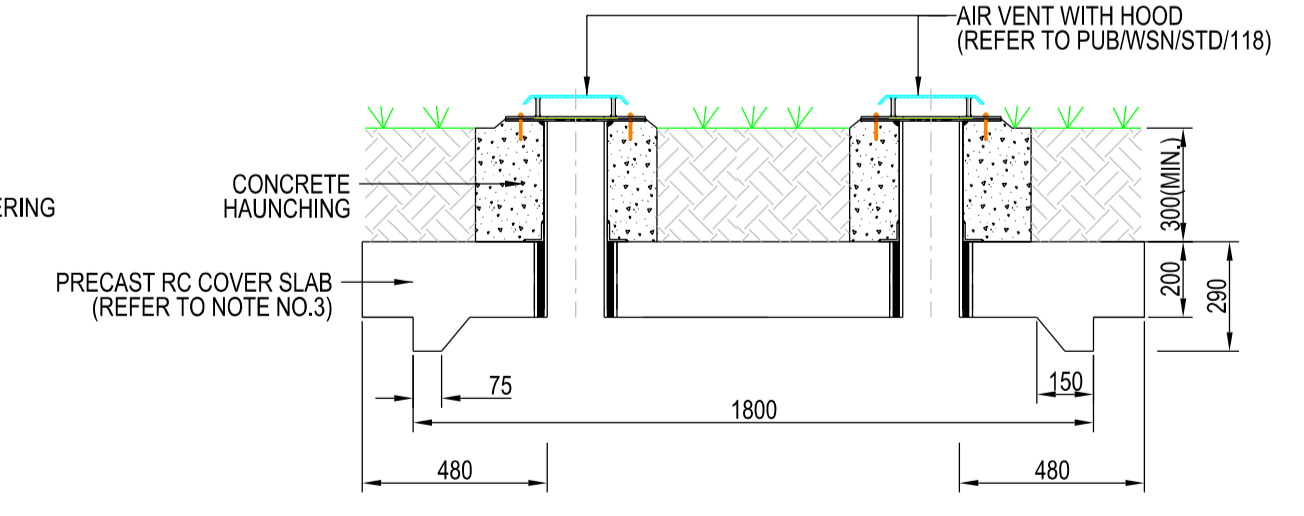
**DETAIL 1**  
 SCALE 1 : 15



**DETAIL 2**  
**STAINLESS STEEL MARKER PLATE**  
 SCALE 1 : 1



**SECTION B - B**  
 SCALE 1 : 20



**SECTION C - C**  
 SCALE 1 : 20

ISSUED : NOV 2020

SCALE

DRAWING NO.

LAST REVIEWED : AUG 2021

AS SHOWN

**PUB/WSN/STD/112**

**TYPICAL OFF-ROAD AIR VALVE CHAMBER (FOR 1900MM AND 2200MM DIA. PIPELINE)**