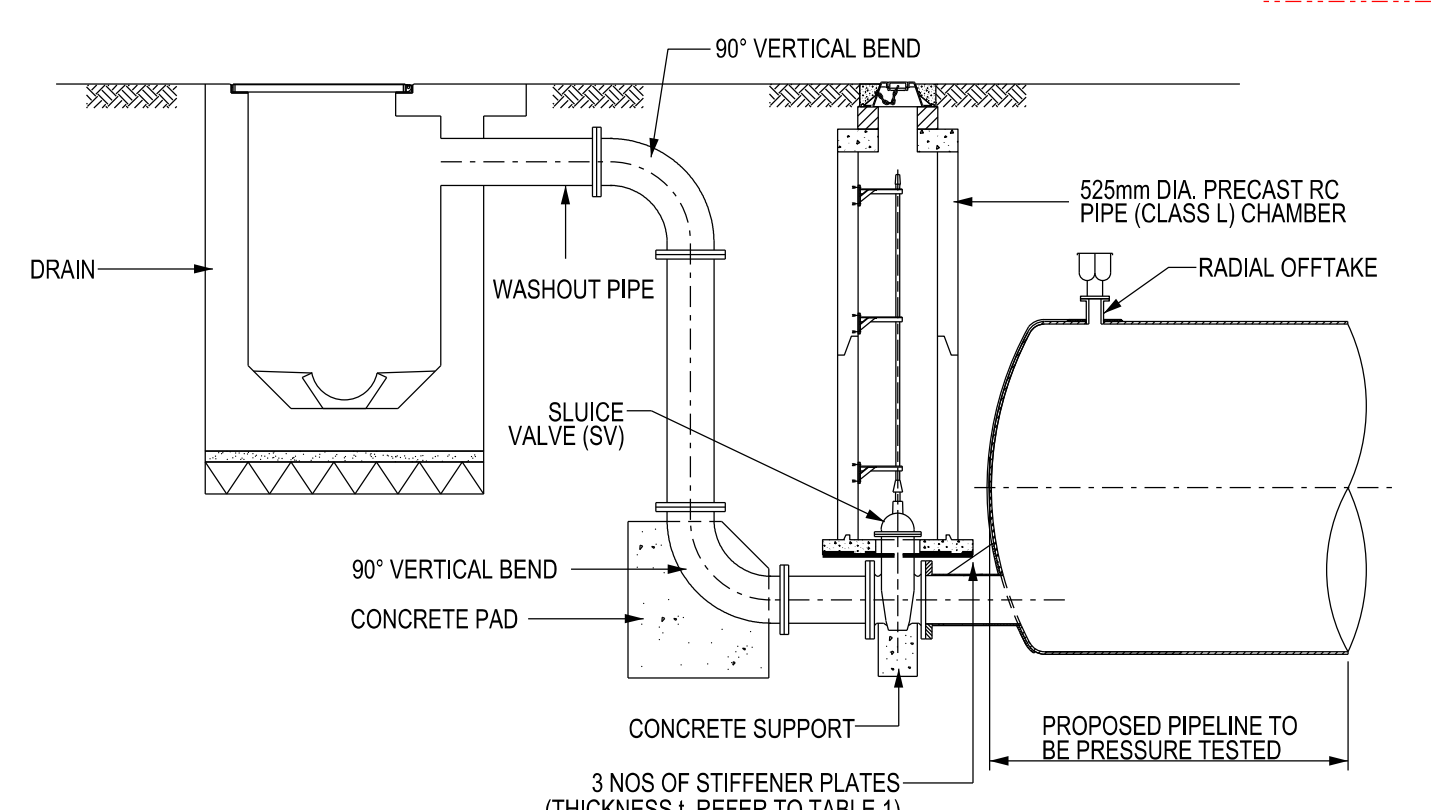
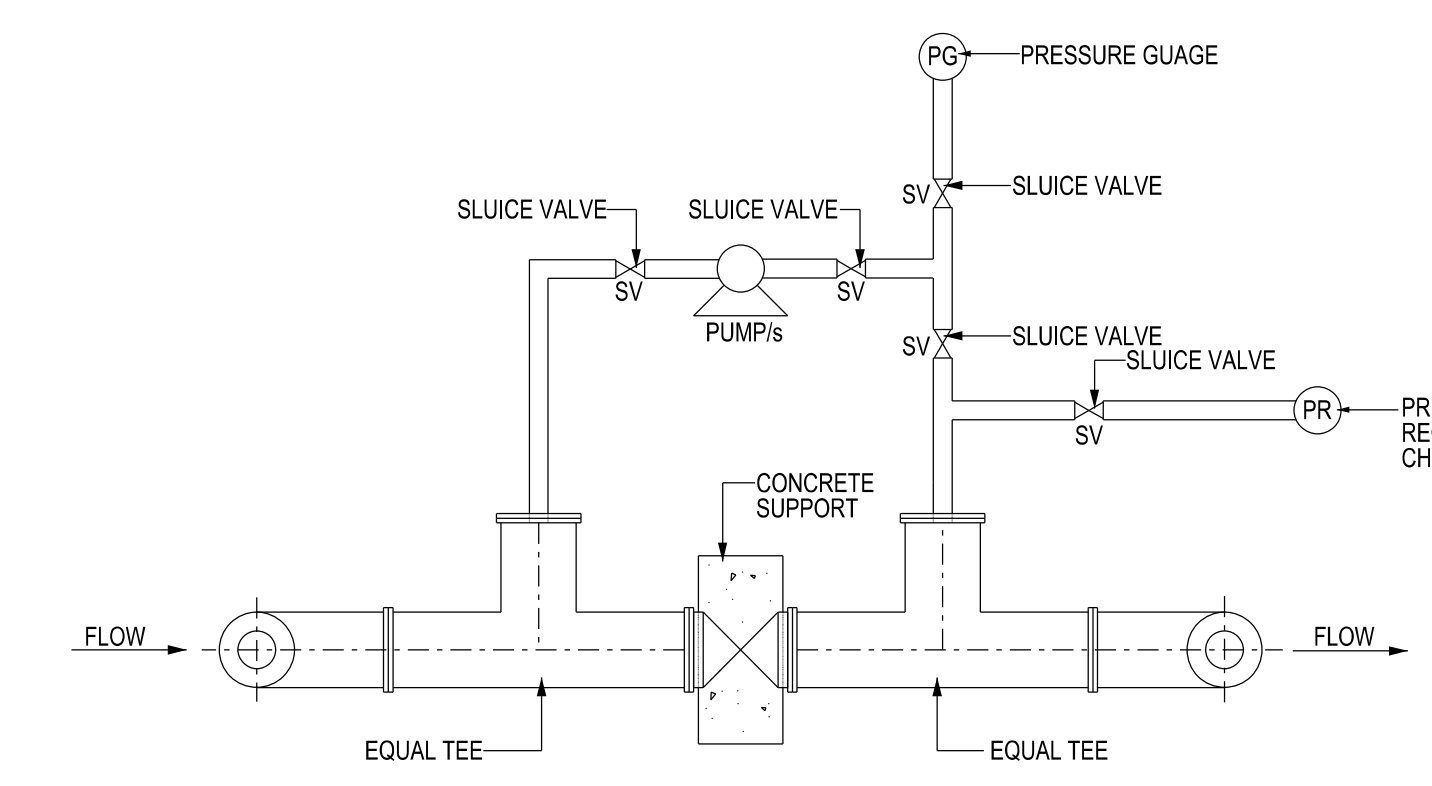


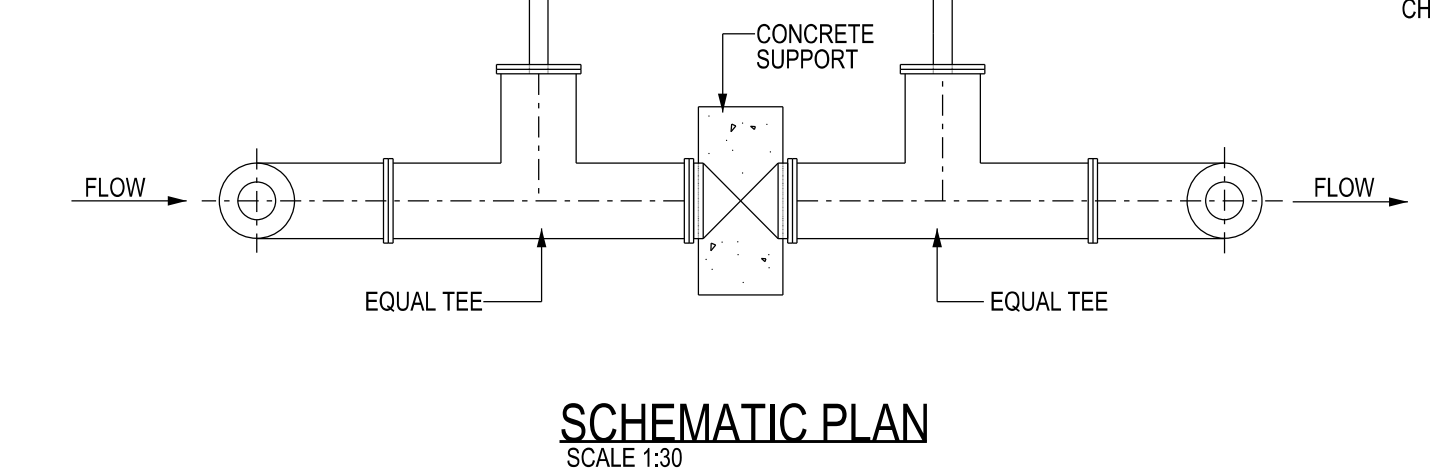
ELEVATION (ALONG TEST CONNECTION ASSEMBLY)
SCALE 1:40



SCHEMATIC PLAN
SCALE 1:30



EXTENSION OF WASHOUT PIPE TO DRAIN (FOR DEAD END PIPES)
SCALE 1:50



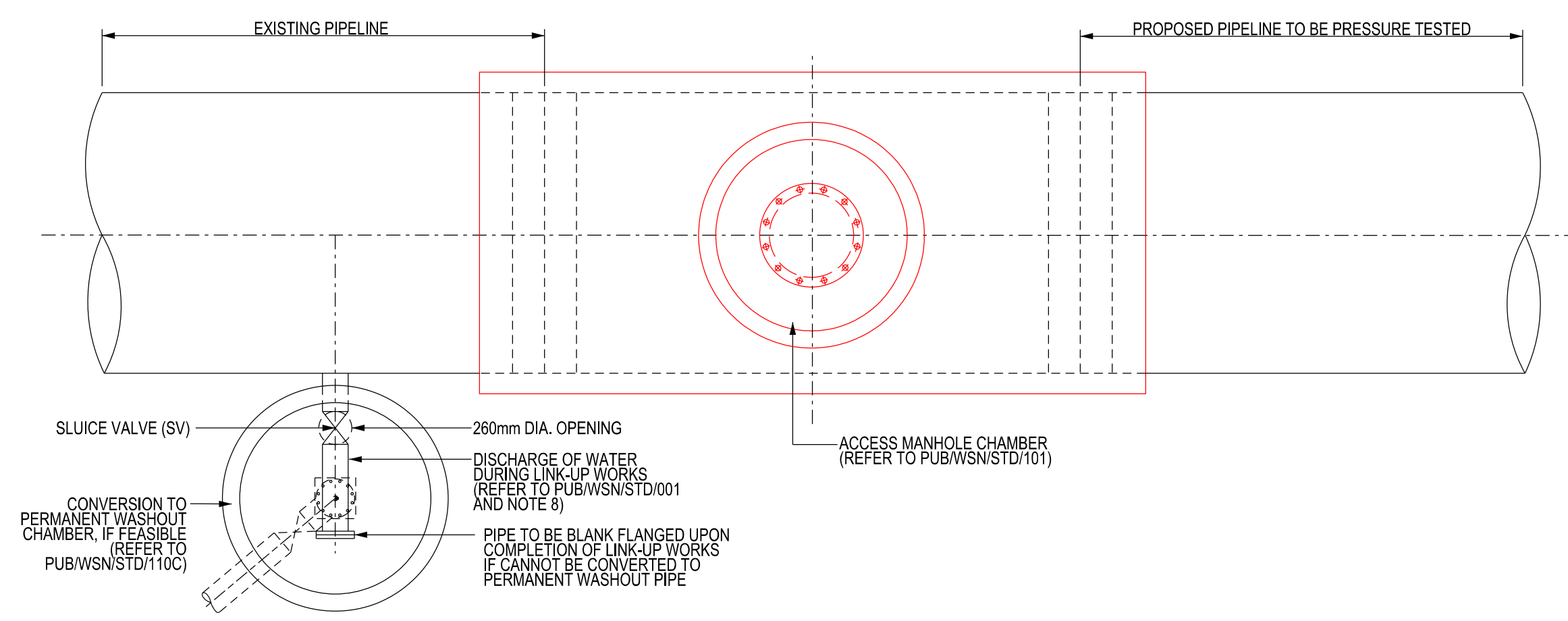
SCHEMATIC PLAN
SCALE 1:30

TABLE 1

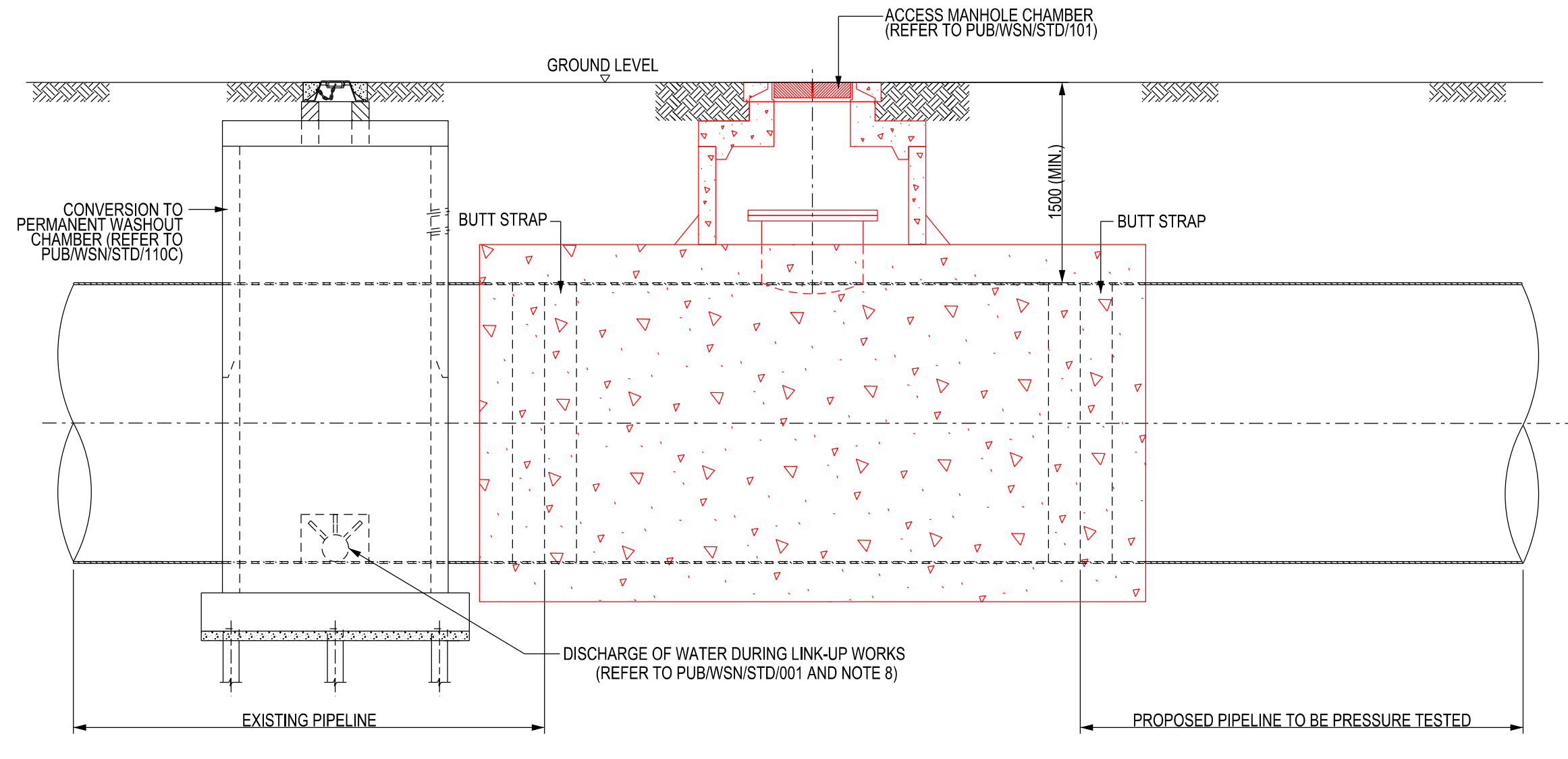
PIPE NOMINAL DIAMETER (MM)	TANGENTIAL OFFTAKE DIAMETER (MM)	STIFFENER PLATE THICKNESS (t) (MM)	DIAMETER OF TEST CONNECTION ASSEMBLY PIPE & FITTINGS (MM)
≤1200	150	24	150
>1200	300	32	300

TABLE 2

PIPE NOMINAL DIAMETER (MM)	EXTENSION OF EXISTING WASHOUT ASSEMBLY (MM)
700 - 1600	200
1800 - 2200	300

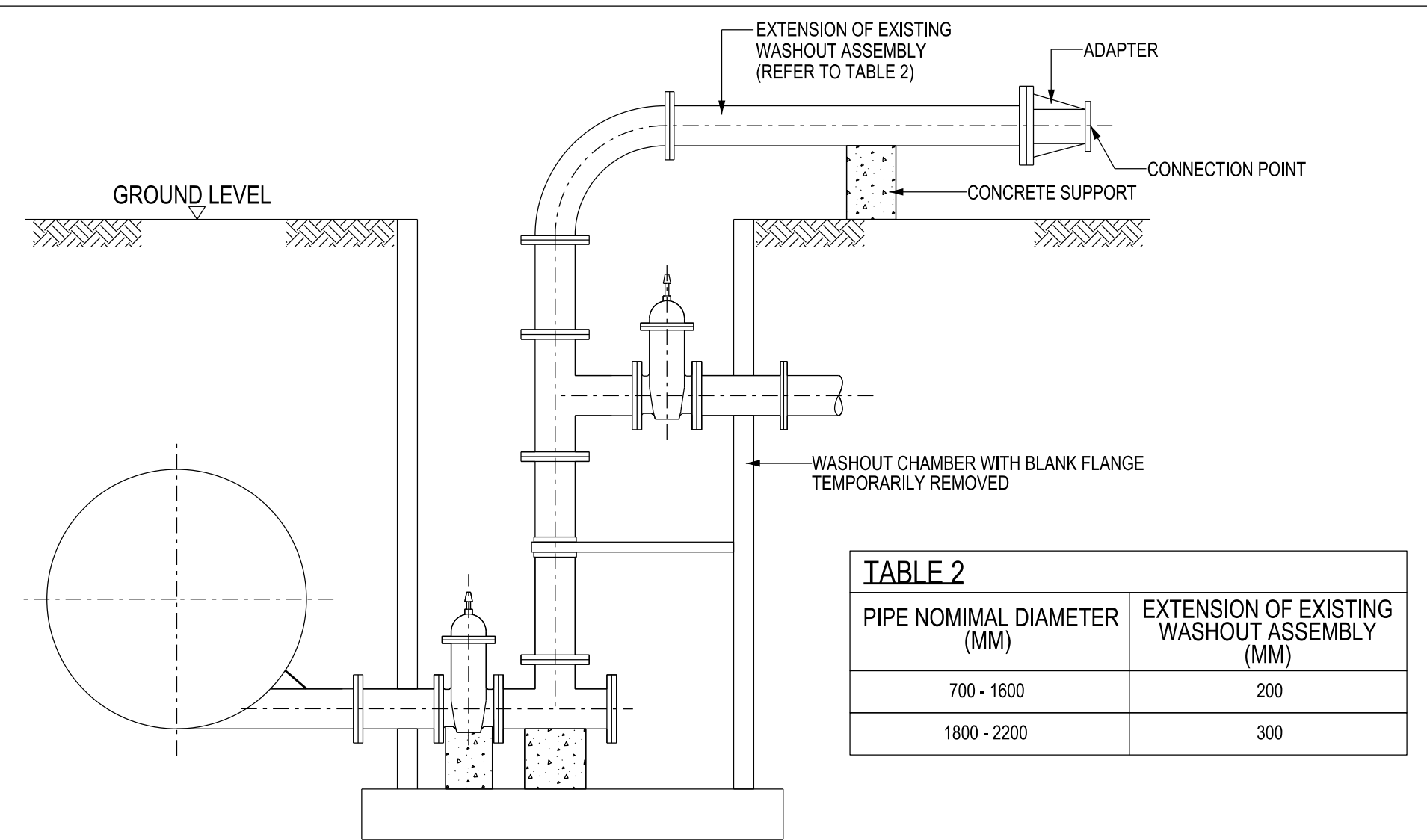


PROVISION OF TANGENTIAL OFFTAKE FOR DISCHARGE OF WATER DURING LINK-UP WORKS (PLAN)
SCALE 1:40

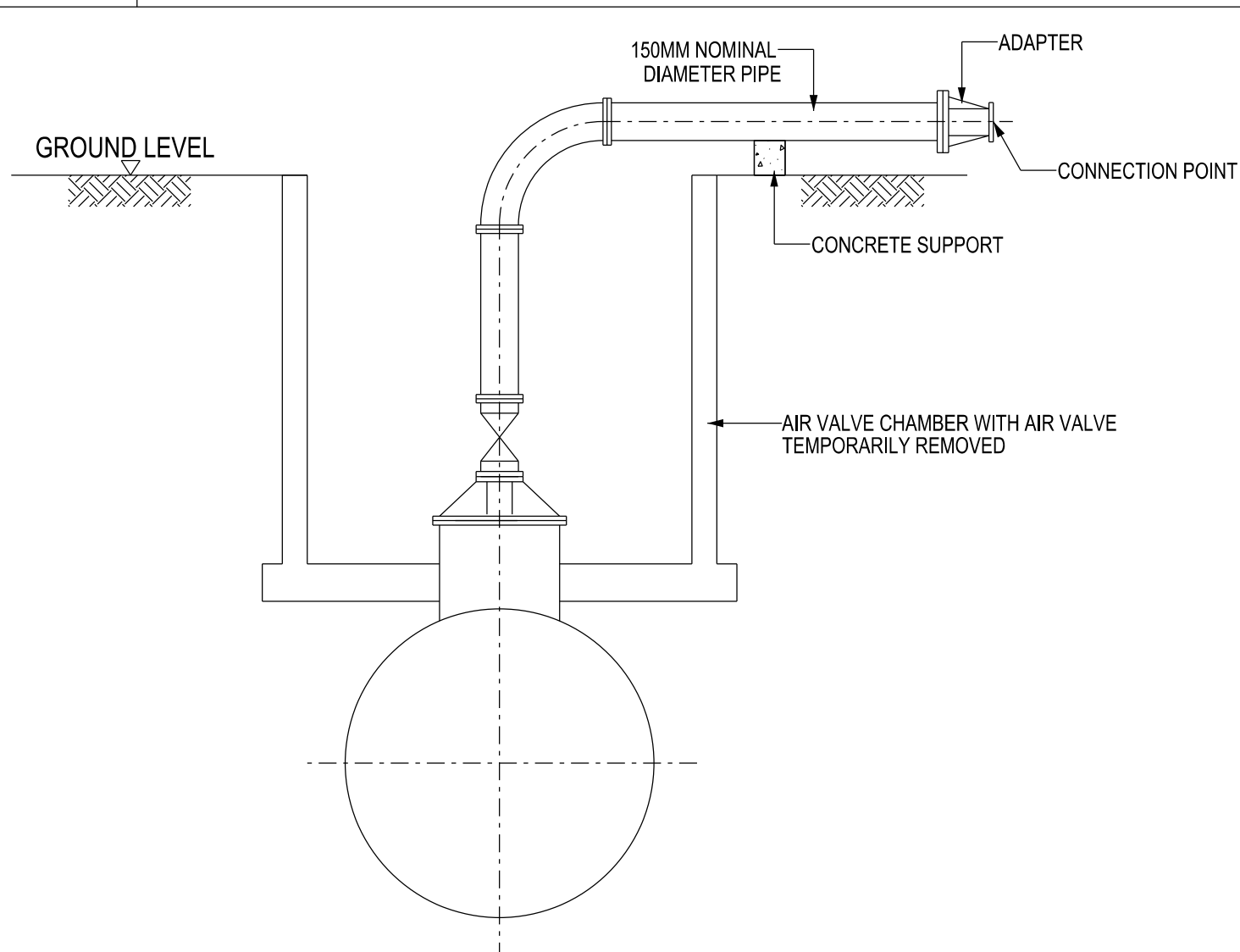


PROVISION OF TANGENTIAL OFFTAKE FOR DISCHARGE OF WATER DURING LINK-UP WORKS (ELEVATION)
SCALE 1:40

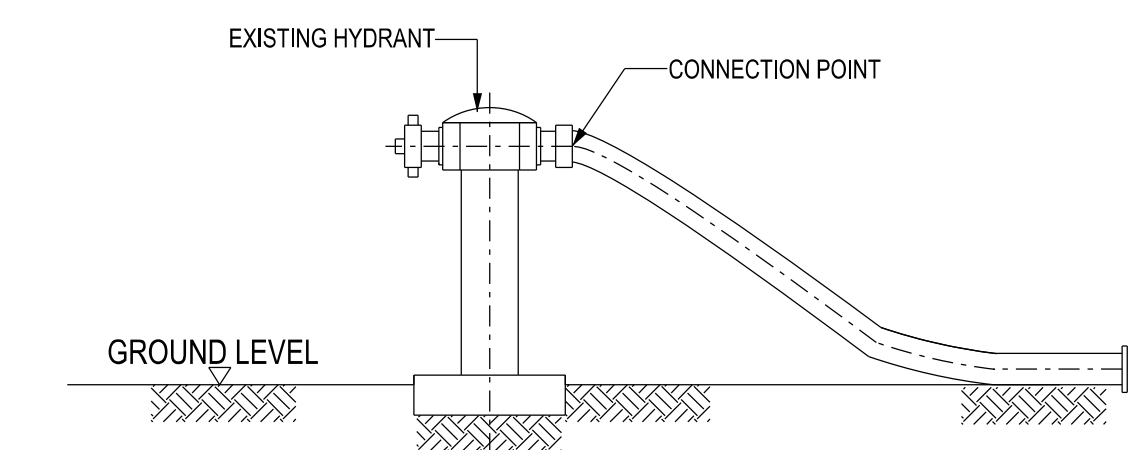
- NOTES:**
1. ALL DIMENSIONS ARE IN MILLIMETRES UNLESS OTHERWISE STATED.
 2. REFER TO THE GENERAL NOTES IN DRAWING NO. PUB/WSN/001.
 3. ALL PIPES & SPECIALS FOR TEST CONNECTION SHALL BE MANUFACTURED TO COMPLY WITH BS 3801 AND BS 4360.
 4. ALL JOINTS OF 300 mm DIA. & SMALLER SHALL BE FLANGED JOINTS, UNLESS OTHERWISE STATED.
 5. THE TEST CONNECTION SHALL BE SUPPORTED AND ANCHORED AS SHOWN IN THE DRAWING. ANY ALTERNATIVE PROPOSALS ESPECIALLY THOSE INVOLVING SEMI-RIGID JOINTS, MUST BE APPROVED BY THE S.O.
 6. ALL FLANGES AND FITTINGS SHALL BE OF PN16 PRESSURE RATING.
 7. ALL PIPES / FITTINGS SHALL BE RIGID AND FIXED TO THE GROUND.
 8. SOME WATER SEEPAGE OF WATER IS EXPECTED THROUGH OLD VALVES, WHICH ARE TO BE SHUT TO FACILITATE THE LINK-UP WORKS. THE CONTRACTOR SHALL PROVIDE SAND BAGS TO CONTAIN THE WATER, SO THAT THE LINK-UP WORKS CAN BE PERFORMED IN A RELATIVELY DRY ENVIRONMENT. WHERE SEEPAGE IS EXPECTED TO BE HIGH AND CANNOT BE ADEQUATELY CONFINED BEHIND THE SAND BAGS, THE CONTRACTOR SHALL INSTALL A 200mm DIA. TANGENTIAL OFFTAKE TO DRAIN THE WATER SEEPING THROUGH.



TYPE 1 CONNECTION (FROM EXISTING WASHOUT)
SCALE 1:20



TYPE 2 CONNECTION (FROM EXISTING ACCESS MANHOLE)
SCALE 1:20



TYPE 3 CONNECTION (FROM EXISTING HYDRANT)
SCALE 1:20