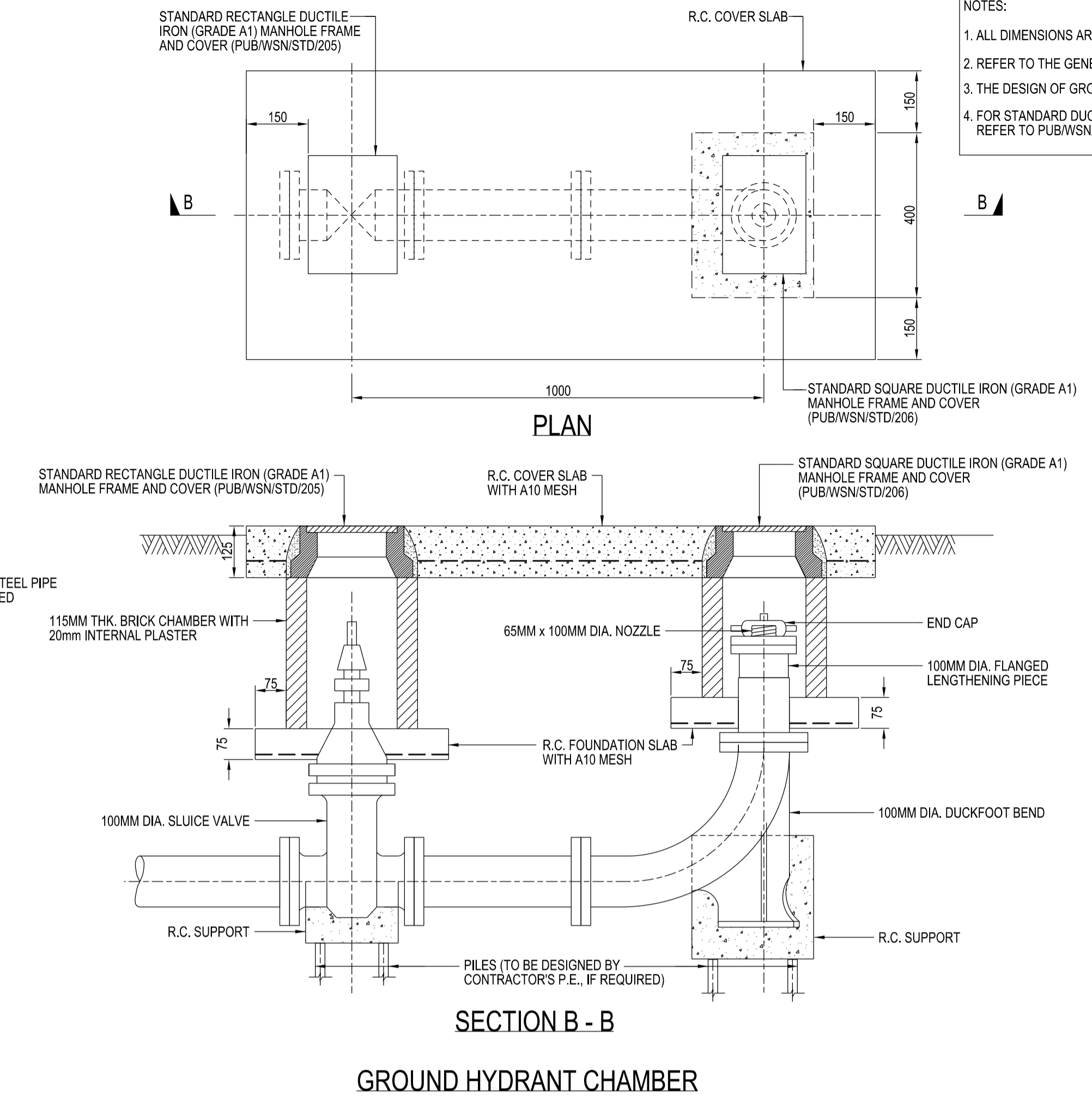
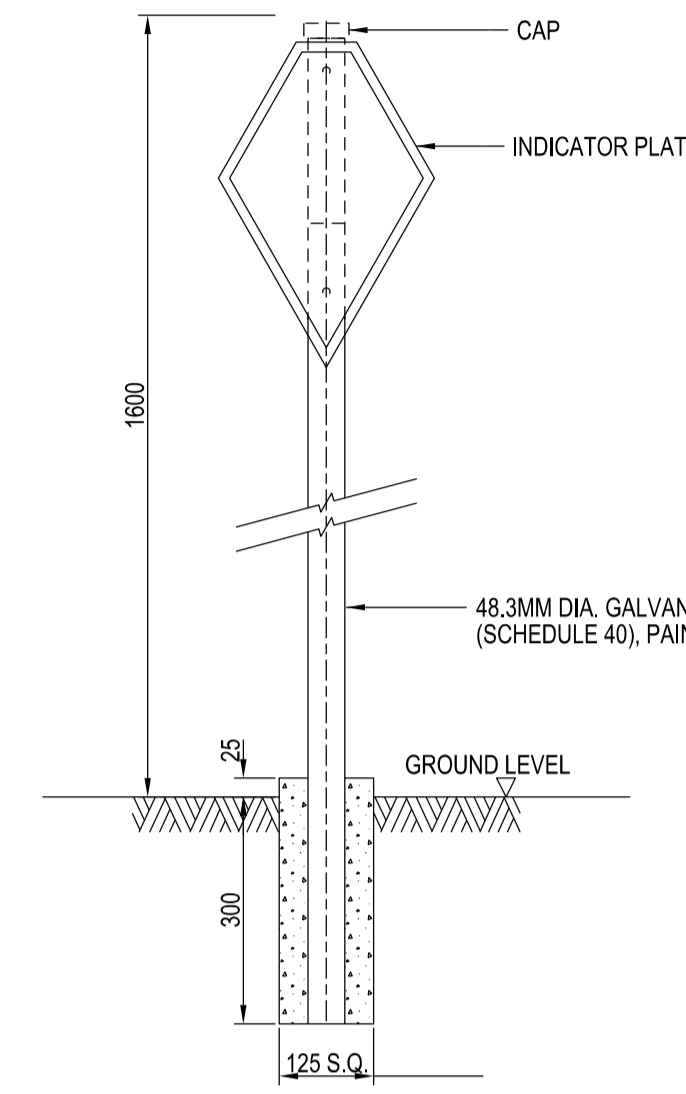
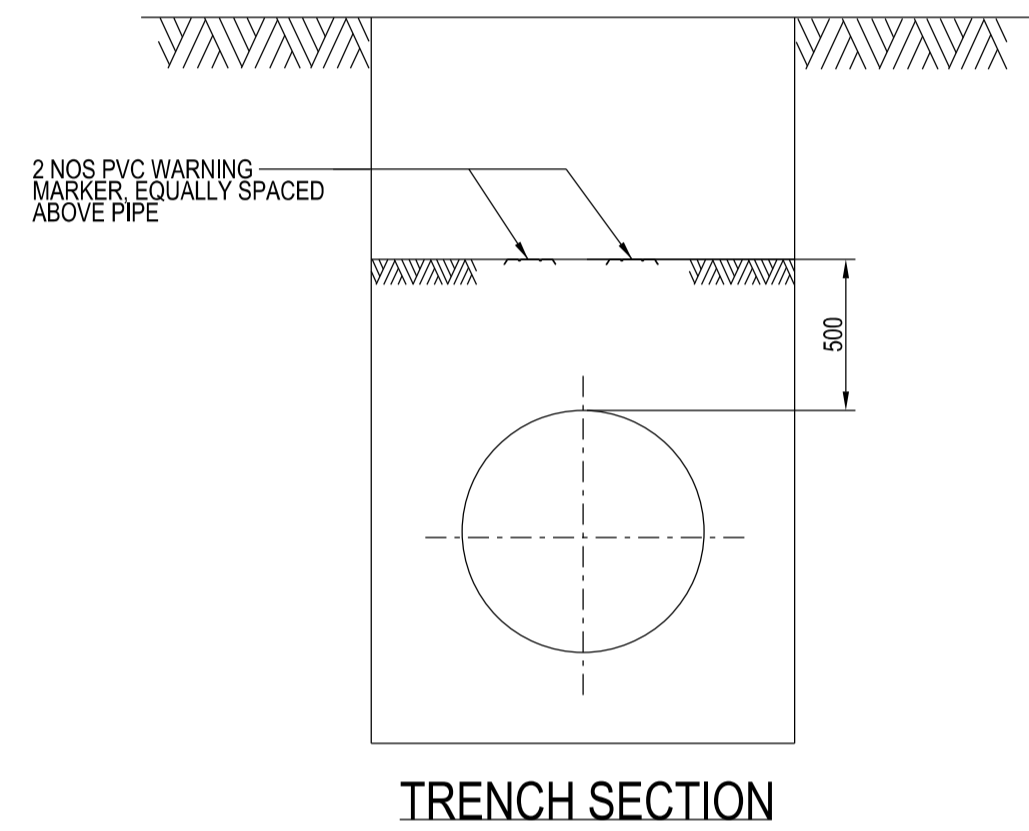


NOTES:

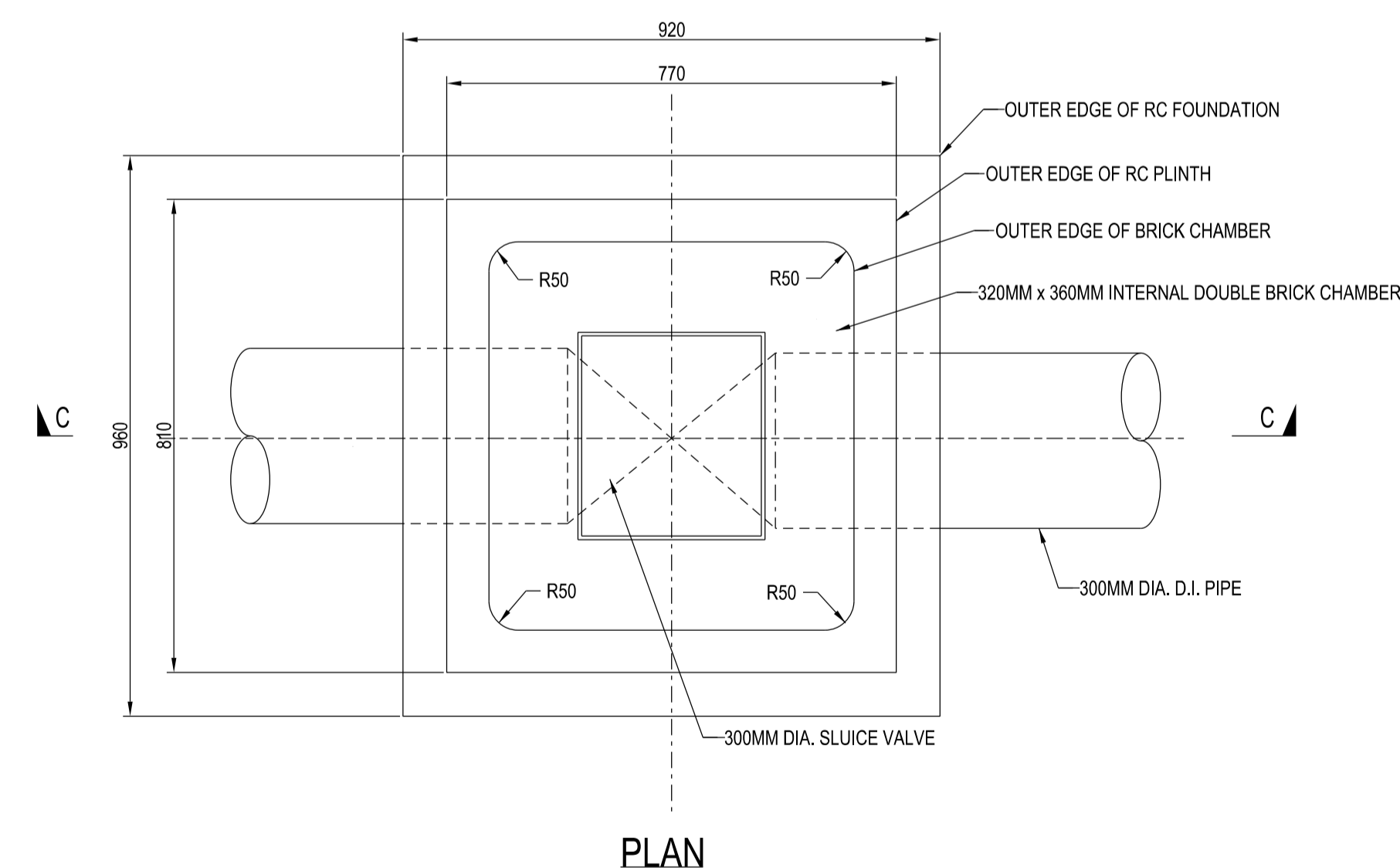
- 1) THE MARKERS SHALL COMPLY WITH THE FOLLOWING SPECIFICATION:
  - a) MATERIAL : HIGH IMPACT RESISTANT POLYVINYL CHLORIDE.
  - b) DIMENSION OF EACH MARKER PIECE: 172MM WIDTH x 1000MM LENGTH.
  - c) THICKNESS: 2MM.
  - d) INTERLOCKING MECHANISM TO CONNECT ADJACENT MARKER PIECES TOGETHER.
  - e) ALL WORDS / SYMBOLS ON THE WARNING MARKERS SHALL BE EMBOSSED.
- 2) IN ORDER TO DIFFERENTIATE THE VARIOUS TYPES OF PIPES USED BY PUB, THE COLOUR OF THE WARNING MARKERS AND WORDS / SYMBOLS EMBOSSED ON EACH PIECE OF WARNING MARKER, SHALL BE AS FOLLOWS:

DESCRIPTION	COLOUR OF PVC WARNING MARKER	WORDS / SYMBOLS EMBOSSED
POTABLE WATER PIPELINE	PANTONE (306C) (BLUE)	DANGER ⚡ PUB PW PIPE
NEWATER PIPELINE	BS 4800 (22-C-37) (PURPLE)	DANGER ⚡ PUB NW PIPE
RAW WATER PIPELINE	BS 4800 (12-D-45) (GREEN)	DANGER ⚡ PUB RW PIPE
INDUSTRIAL WATER PIPELINE	BS 4800 (08-E-51) (YELLOW)	DANGER ⚡ PUB IW PIPE

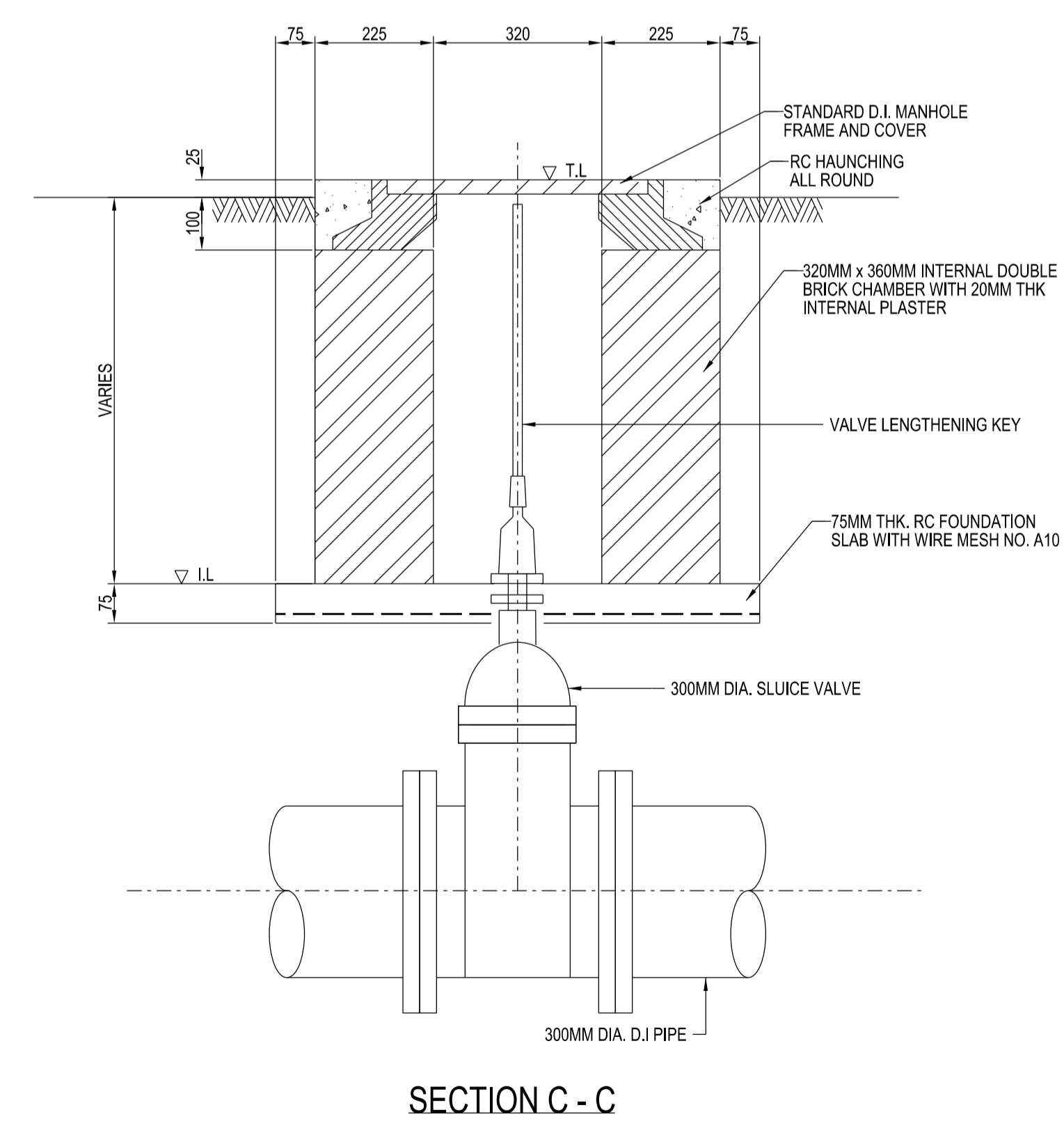
PVC WARNING MARKER FOR PIPE



- NOTES:
1. ALL DIMENSIONS ARE IN MILLIMETERS UNLESS OTHERWISE STATED.
  2. REFER TO THE GENERAL NOTES IN DRAWING NO. PUB/WSN/GN/001.
  3. THE DESIGN OF GROUND HYDRANT SHALL COMPLY WITH SS CP48.
  4. FOR STANDARD DUCTILE IRON MANHOLE FRAME AND COVER, REFER TO PUB/WSN/STD/205 AND PUB/WSN/STD/206.



BRICK CHAMBER FOR 300MM DIA. SLUCE VALVE



SECTION C - C

ISSUED : NOV 2020

SCALE

DRAWING NO.

LAST REVIEWED : AUG 2021

NTS

PUB/WSN/STD/210

PVC WARNING MARKER, GROUND HYDRANT CHAMBER AND BRICK CHAMBER FOR 300MM DIA. SLUCE VALVE