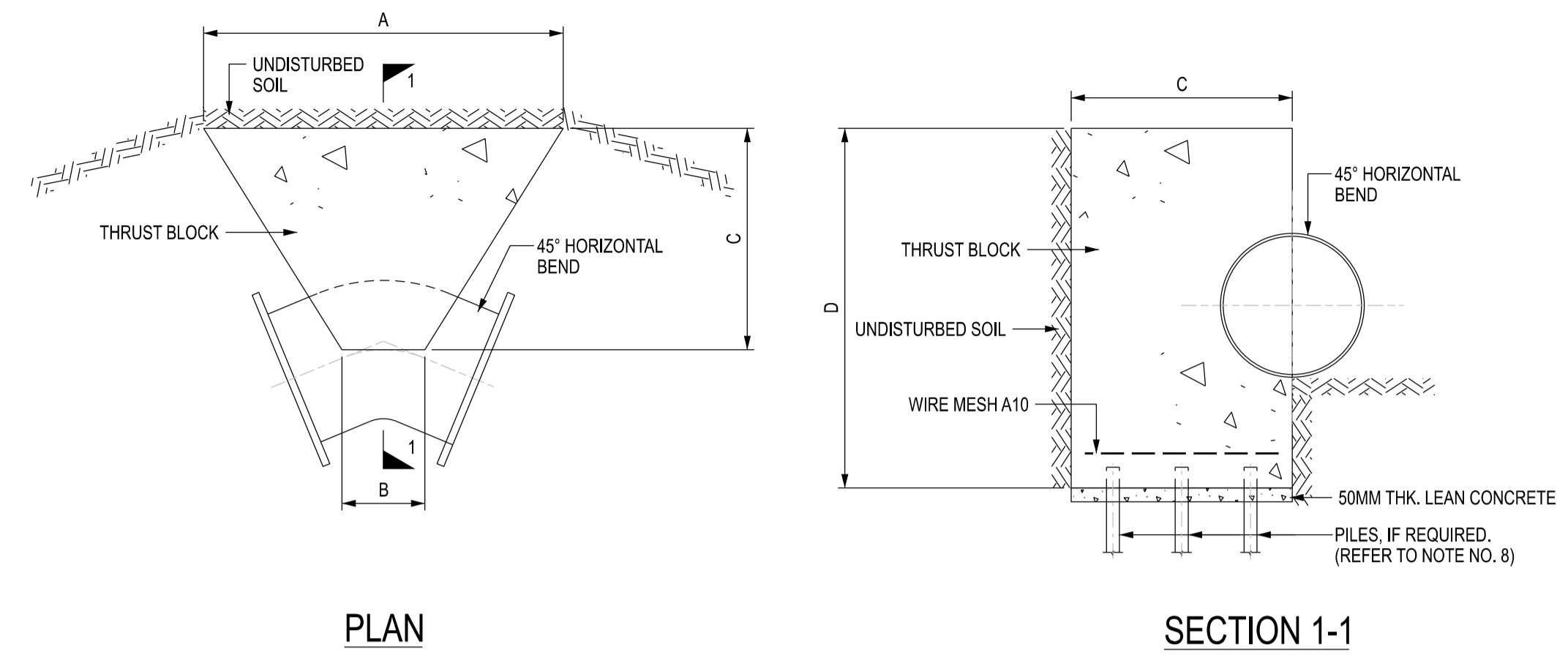


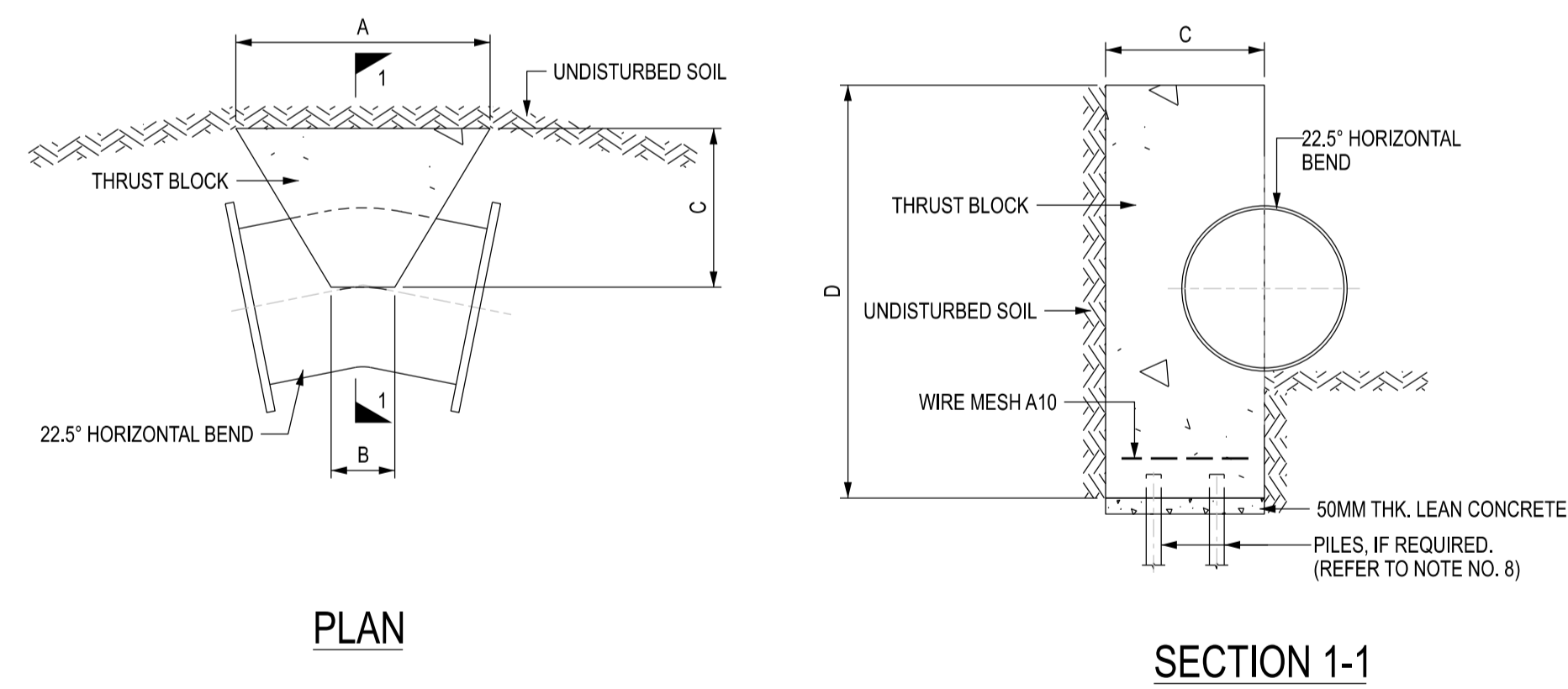
90° BEND
SCALE 1:20

NOMINAL DIAMETER (mm)	DIMENSIONS (mm)			
	A	B	C	D
100	600	100	300	400
150	800	200	400	550
200	1000	400	500	800
300	1200	400	700	1200
500	2000	500	1200	1500



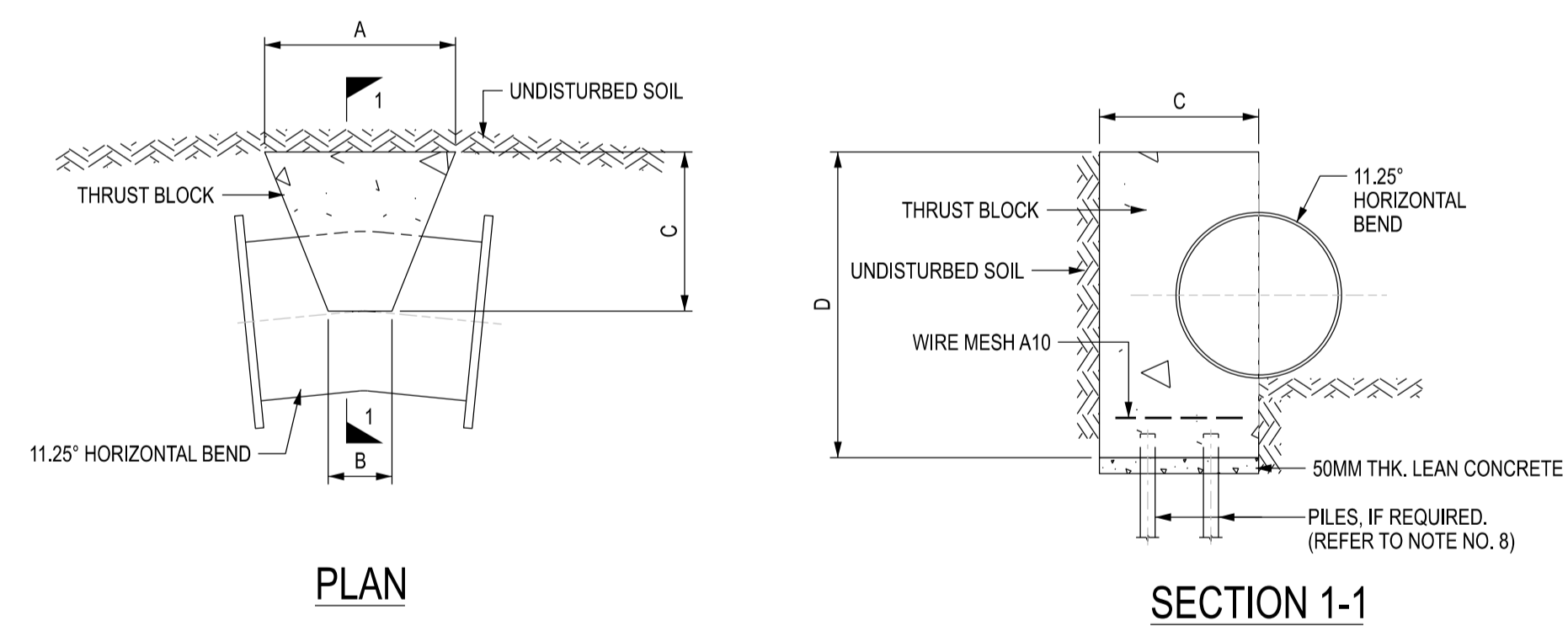
45° BEND
SCALE 1:20

NOMINAL DIAMETER (mm)	DIMENSIONS (mm)			
	A	B	C	D
100	500	100	300	400
150	700	100	400	550
200	900	200	500	600
300	1100	300	700	900
500	1300	300	800	1300



22.5° BEND
SCALE 1:20

NOMINAL DIAMETER (mm)	DIMENSIONS (mm)			
	A	B	C	D
100	200	100	300	400
150	300	100	400	550
200	400	200	400	600
300	600	200	500	900
500	800	200	500	1300



11.25° BEND
SCALE 1:20

NOMINAL DIAMETER (mm)	DIMENSIONS (mm)			
	A	B	C	D
100	300	100	300	400
150	300	100	400	450
200	400	200	400	500
300	500	200	500	600
500	600	200	500	900

- NOTES:
- ALL DIMENSIONS ARE IN MILLIMETRES UNLESS OTHERWISE STATED.
 - REFER TO THE GENERAL NOTES IN DRAWING NO: PUB/WSN/001.
 - THIS DRAWING APPLIES TO DUCTILE IRON BENDS FROM 100MM TO 500MM.
 - ALL PIPE FITTINGS SHALL BE PROVIDED WITH EITHER MECHANICAL RESTRAINT TYPE JOINTS OR FLANGED JOINTS. BOLTED COLLARS SHALL BE PROVIDED AT CUT SECTIONS
 - REFER TO STANDARD DRAWING PUB/WSN/STD/302 FOR DETAILS OF CONCRETE PADS, THRUST AND ANCHOR BLOCKS TO BE INSTALLED AT BENDS AND TEES.
 - ALL CONCRETE PAD, THRUST AND ANCHOR BLOCKS SHALL BE OF GRADE C40/50.
 - GROUND SHALL BE COMPACTED BEFORE PLACING 50MM THK LEAN CONCRETE.
 - ALL PILING WORKS SHALL BE DESIGNED BY A PROFESSIONAL ENGINEER (P.E) ENGAGED BY THE CONTRACTOR AND SUBMITTED TO SUPERINTENDING OFFICER (S.O) FOR APPROVAL.

DRAWING NO: PUB/WSN/STD/322

DATE OF ISSUE: DEC 2022

SCALE: AS SHOWN

REV: -

THRUST BLOCK FOR DUCTILE IRON HORIZONTAL BENDS