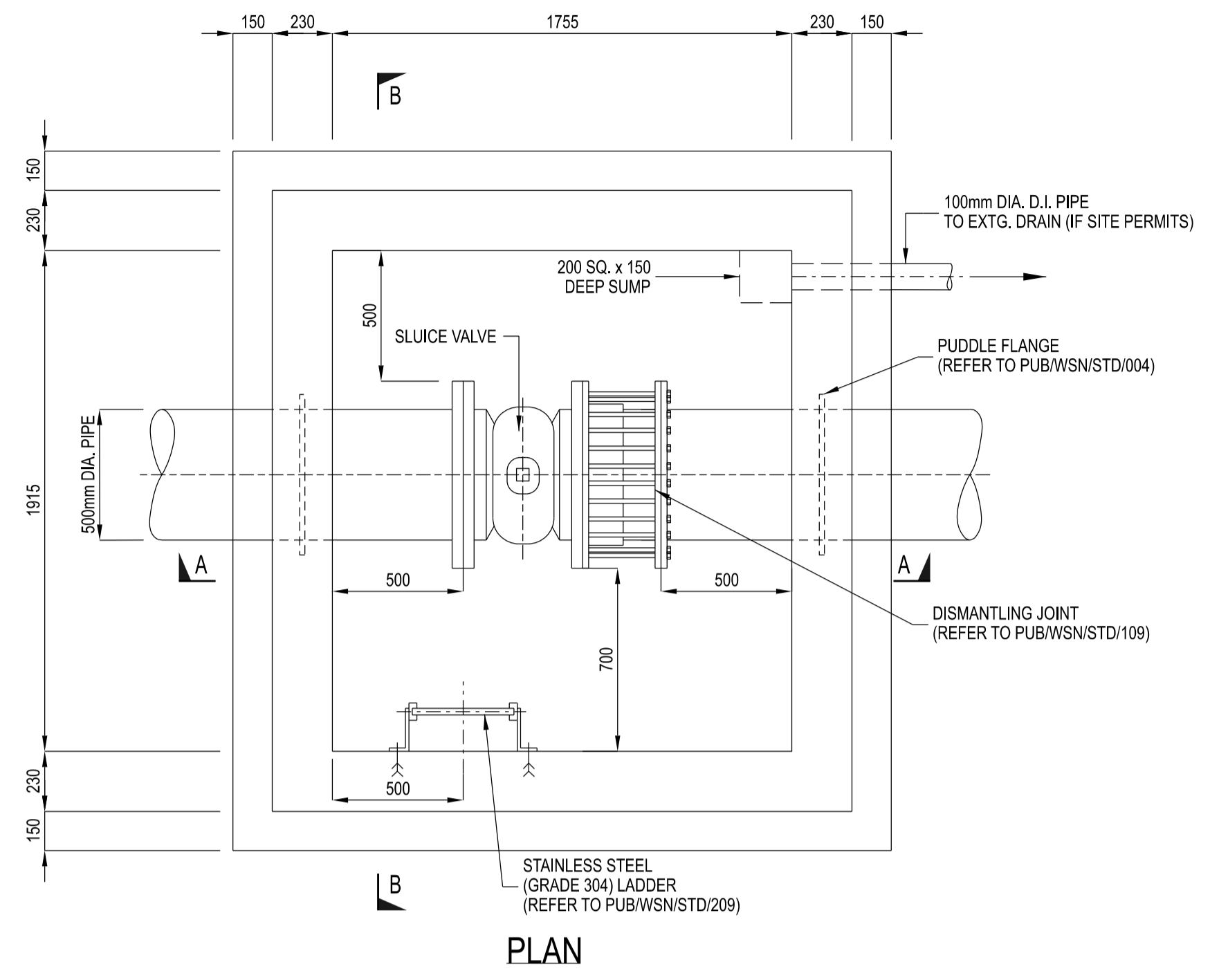
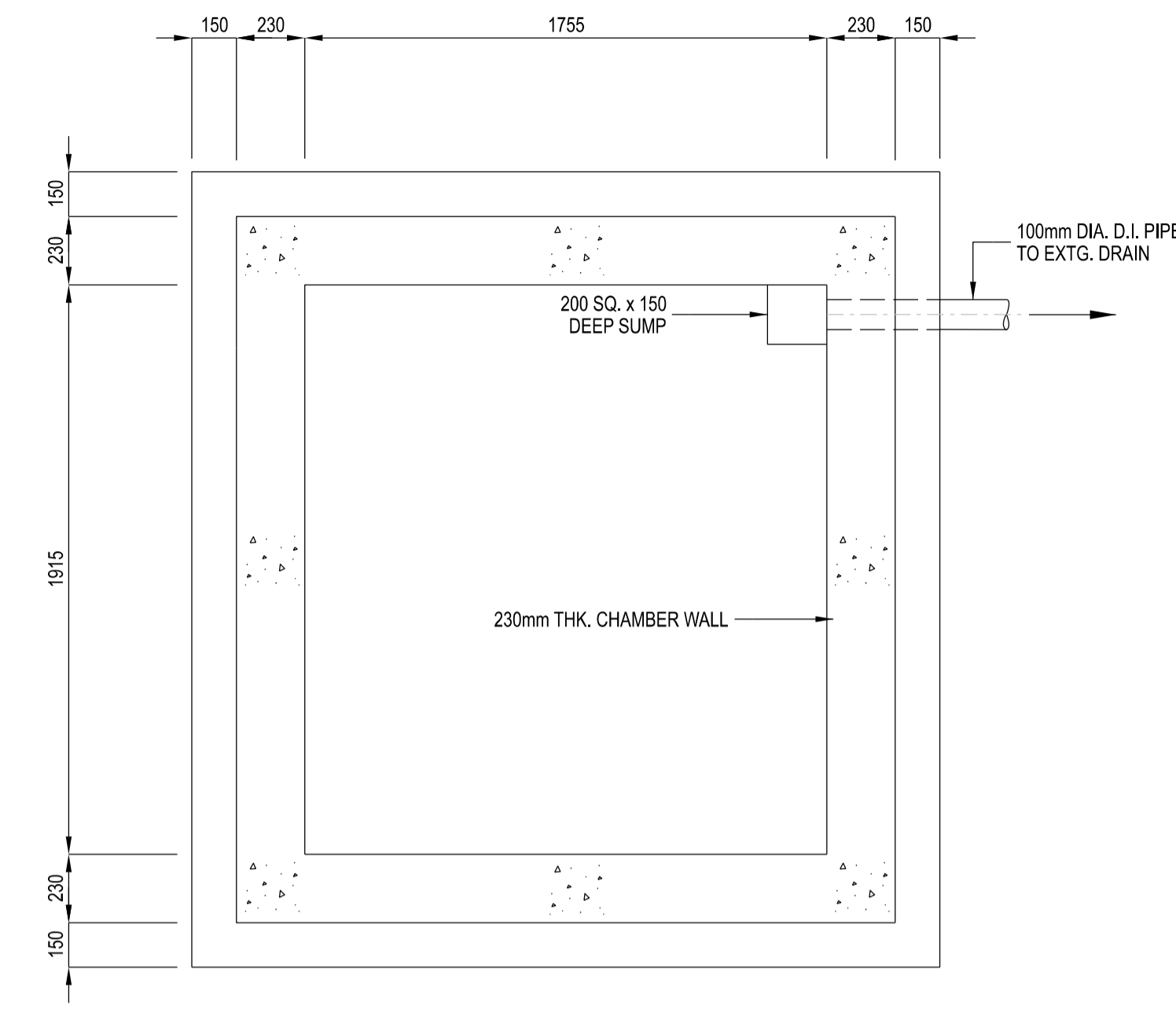


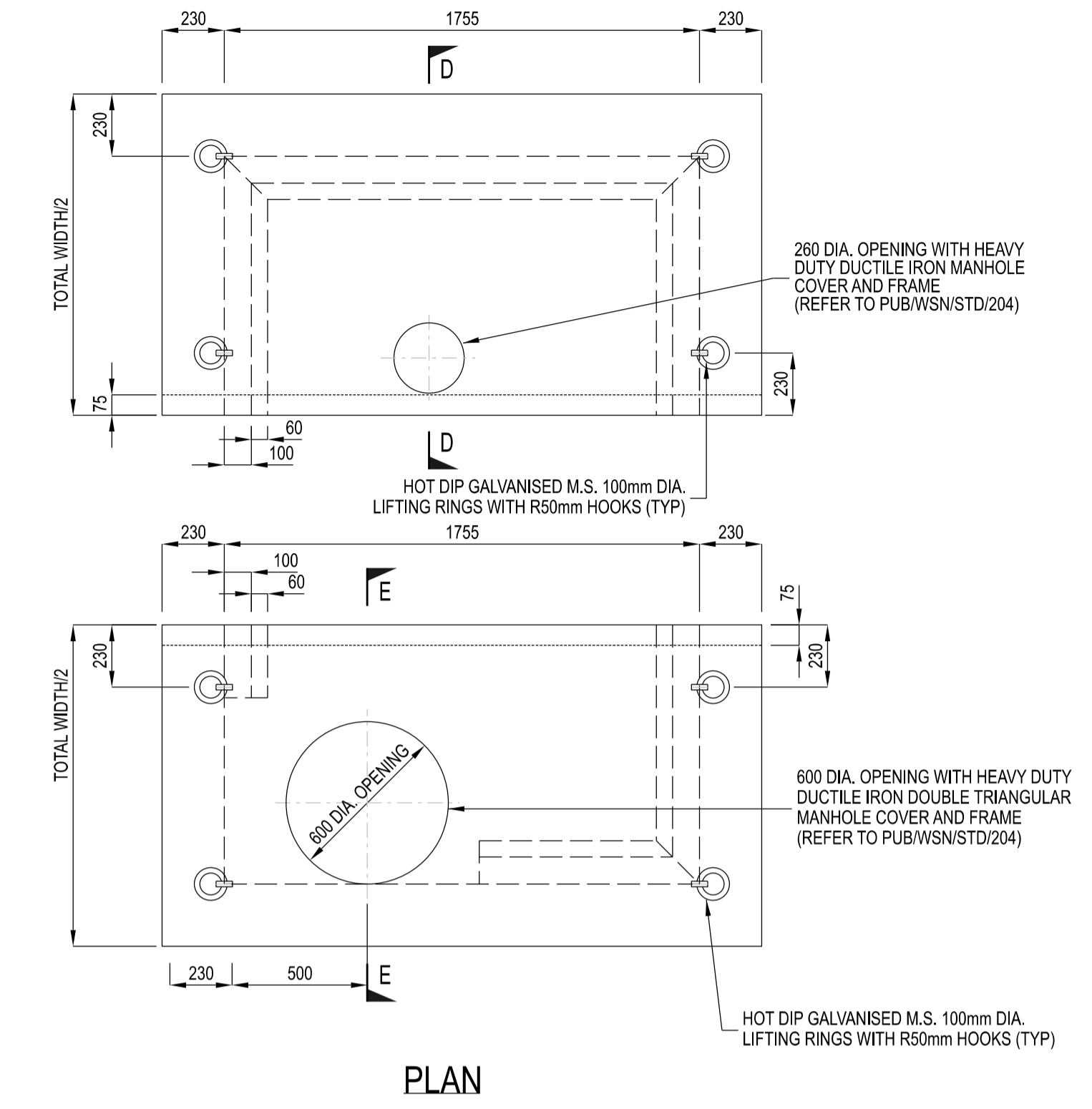
- NOTES:
1. ALL DIMENSIONS ARE IN MILLIMETRES UNLESS OTHERWISE STATED.
 2. THE CONTRACTOR HAS TO REFER TO THE GENERAL NOTES IN DRAWING NO. PUB/WSN/GN01.
 3. THE CONTRACTOR SHALL UNDERTAKE PLATE LOAD TESTS TO VERIFY THE IN-SITU SOIL BEARING CAPACITY IN ACCORDANCE WITH BS EN ISO 22476-13. WHERE THE BEARING CAPACITY IS DEEMED IN ADEQUATE AND/OR SETTLEMENT IS EXCESSIVE, THE CHAMBER SHALL BE SUPPORTED ON PILES.
 4. ALL MANHOLE FRAME AND COVERS SHALL BE STANDARD HEAVY DUTY DUCTILE IRON IN ACCORDANCE TO DRAWING TO PUB/WSN/STD/204.
 5. CHAMBER IS TO BE CONSTRUCTED WITH C40/50 RC.
 6. LENGTHENING KEYS FOR VALVES SHALL EXTEND WITH 150mm BELOW THE SOFFIT OF THE PRECAST RC COVER SLAB.
 7. SAFETY CAGE SHALL BE INSTALLED FOR ALL STAINLESS STEEL (GRADE 304) LADDERS EXCEEDING 3m HEIGHT. (REFER TO PUB/WSN/STD/209).



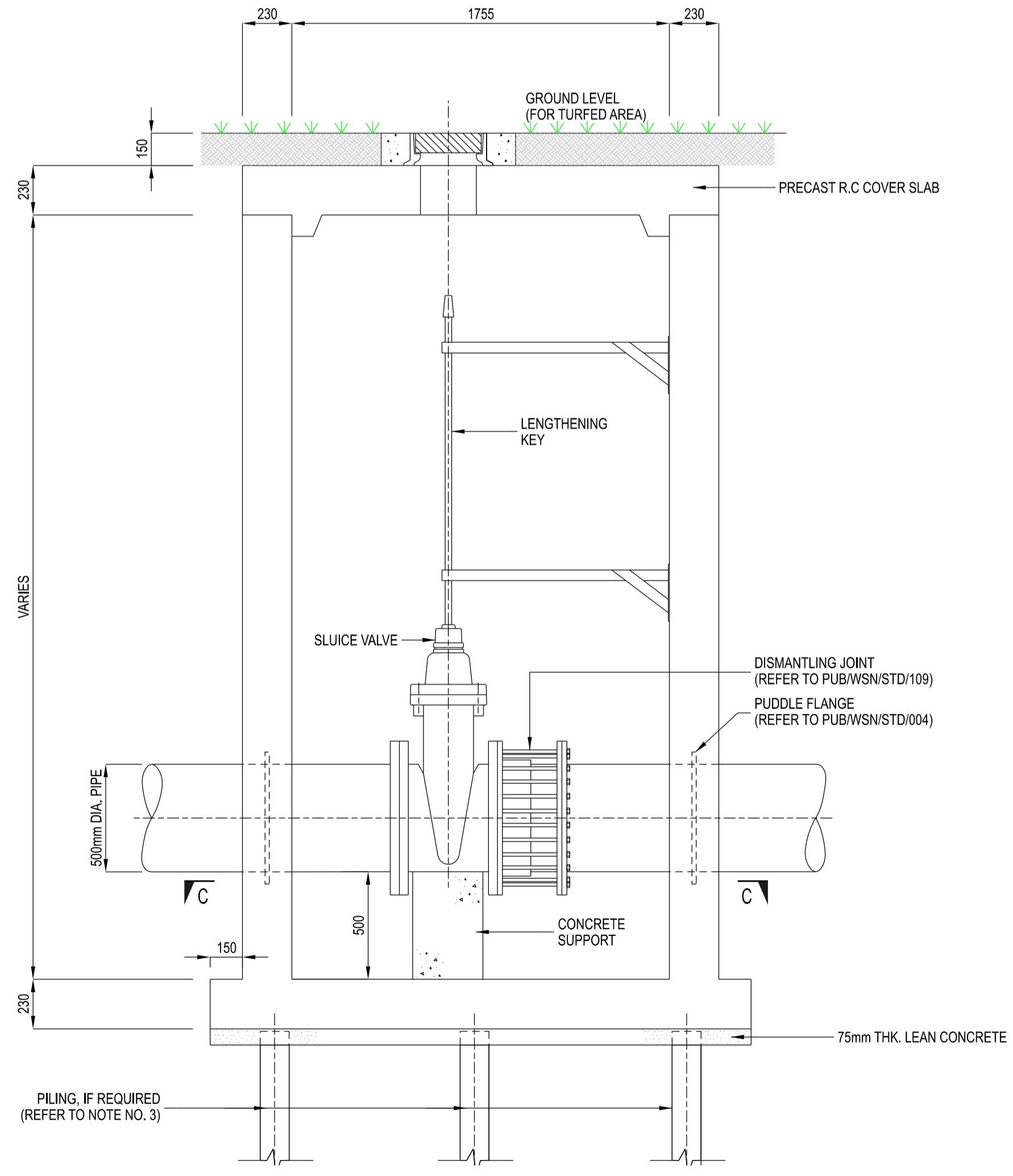
PLAN



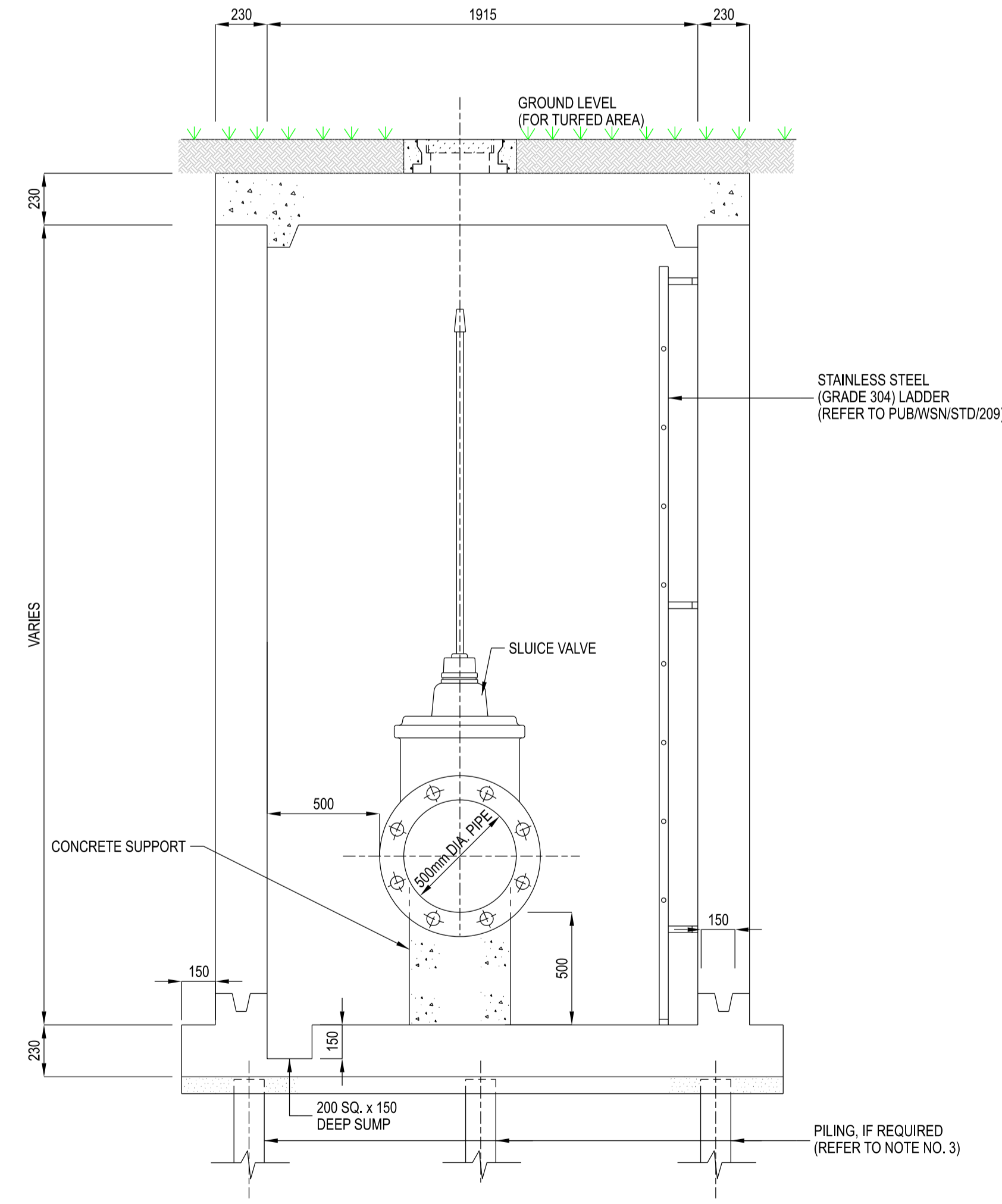
SECTION C - C



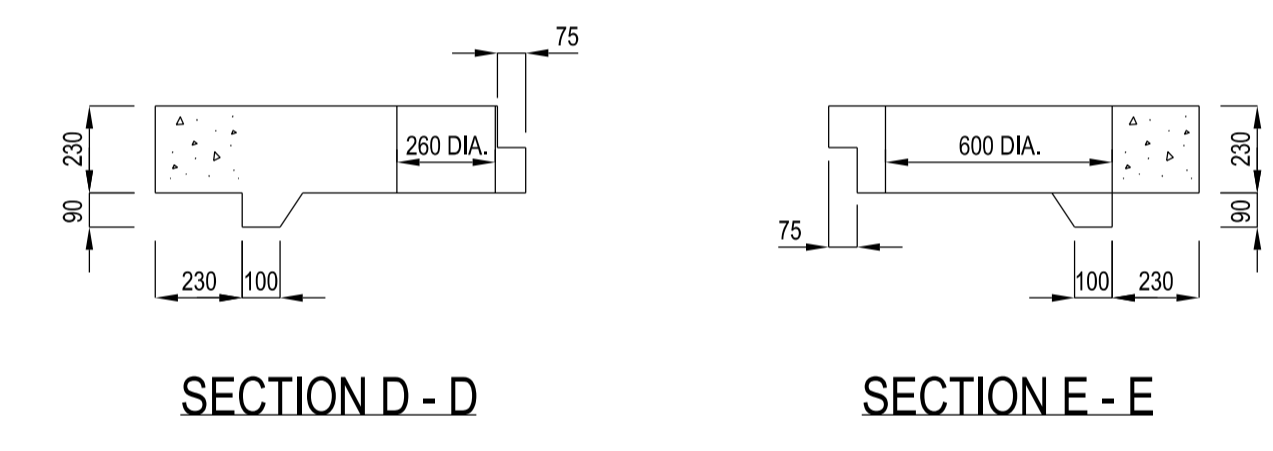
PLAN



SECTION A - A



SECTION B - B



SECTION D - D SECTION E - E

DETAILS OF PRECAST RC COVER SLAB

DRAWING NO.: PUB/WSN/STD/317	
DATE OF ISSUE: DEC 2022	SCALE: 1:20
REV.	DATE

SLUICE VALVE CHAMBER FOR 500MM DIA. DUCTILE IRON PIPELINE