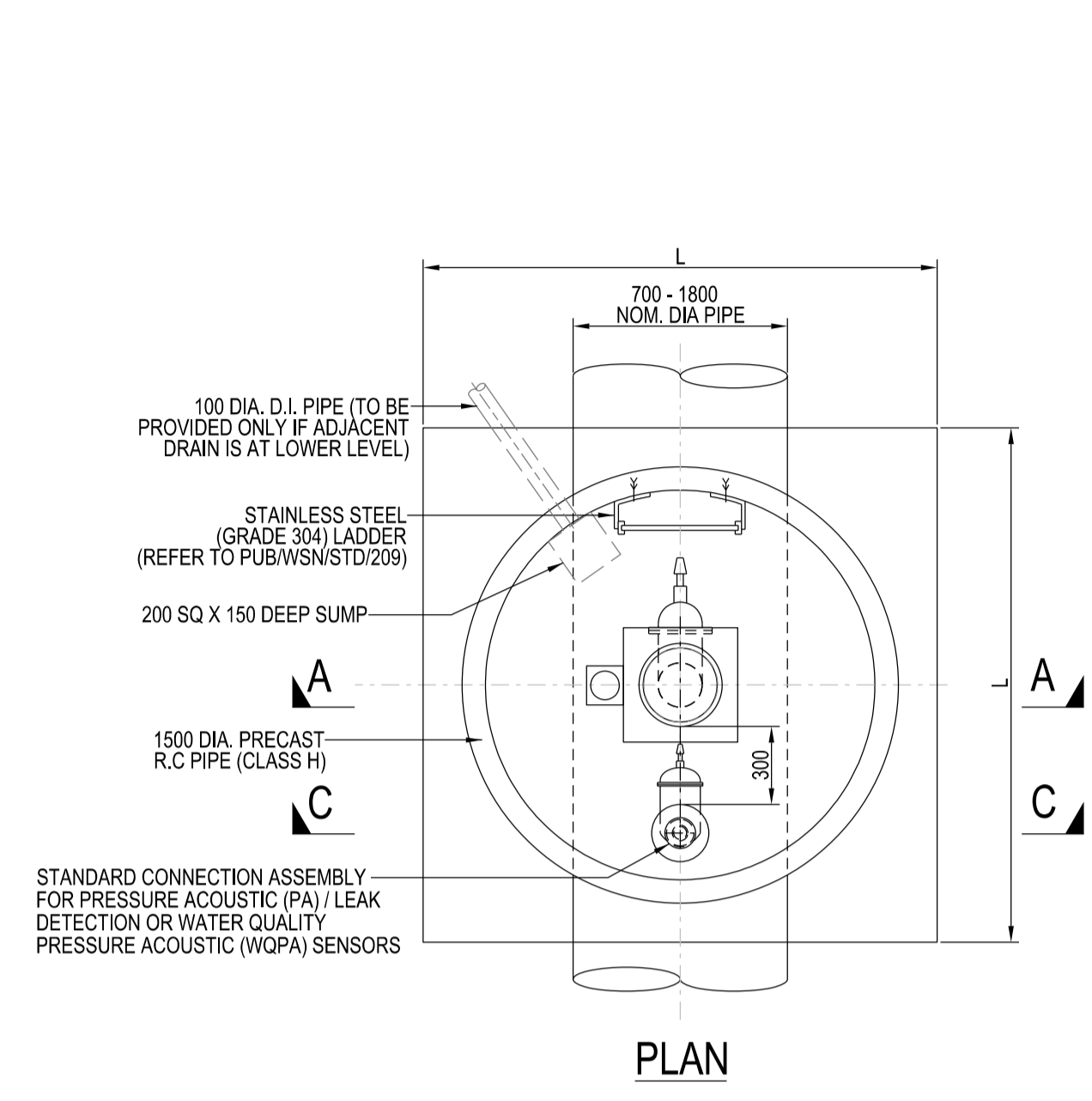
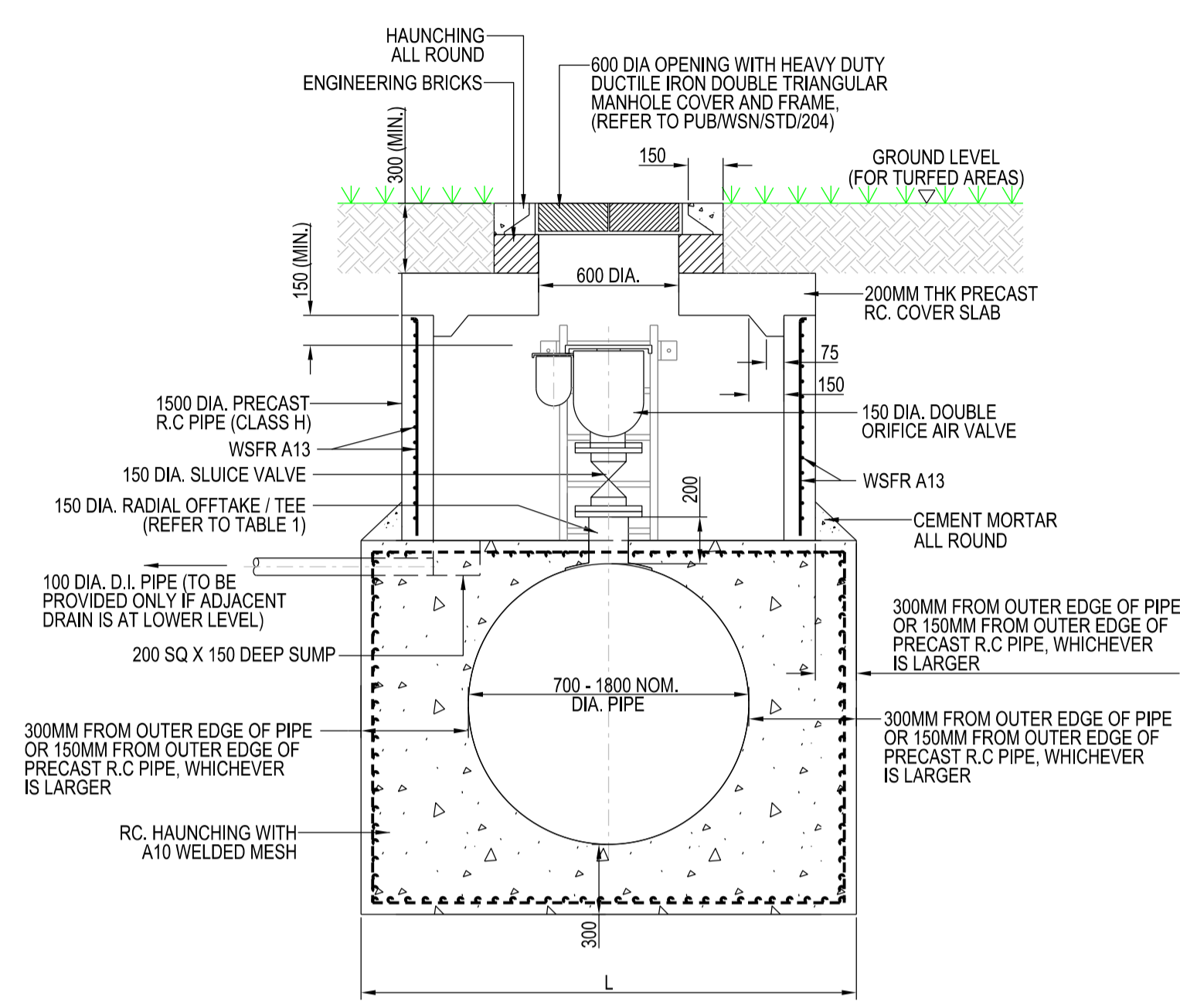


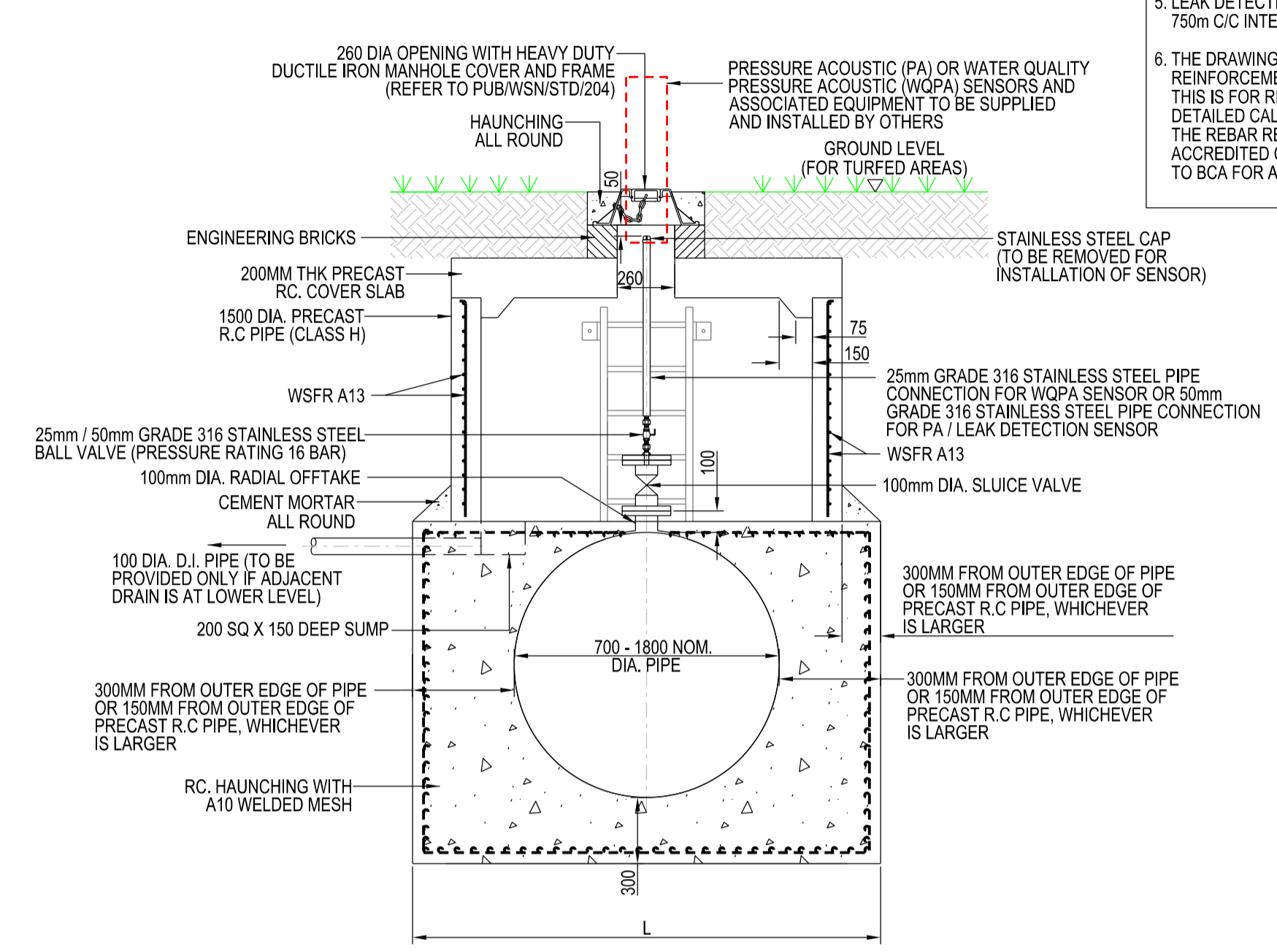
- NOTES:
- ALL DIMENSIONS ARE IN MILLIMETRES UNLESS OTHERWISE STATED.
  - THE CONTRACTOR SHALL REFER TO THE GENERAL NOTES IN DRAWING NO. PUB/WSN/1001.
  - ALL CHAMBERS INCLUDING RC. HAUNCHING AND CLADDING SHALL BE DESIGNED AND ENDORSED BY A PROFESSIONAL ENGINEER (P.E).
  - SAFETY CAGES SHALL BE INSTALLED FOR ALL STAINLESS STEEL LADDERS (GRADE 304) EXCEEDING 3M HEIGHT.
  - LEAK DETECTION SENSORS ARE TO BE PROVIDED AT EVERY 750m C/C INTERVAL ALONG THE PIPELINE.
  - THE DRAWING SHOWS THE TYPICAL ARRANGEMENT OF REINFORCEMENT WITHIN THE CONCRETE ELEMENTS. THIS IS FOR REFERENCE ONLY. THE P.E. SHALL UNDERTAKE DETAILED CALCULATIONS TO DETERMINE THE DETAILS OF THE REBAR REQUIRED AND SUBMIT (TOGETHER WITH THE ACCREDITED CHECKER, APPOINTED BY THE BOARD) TO BCA FOR APPROVAL.



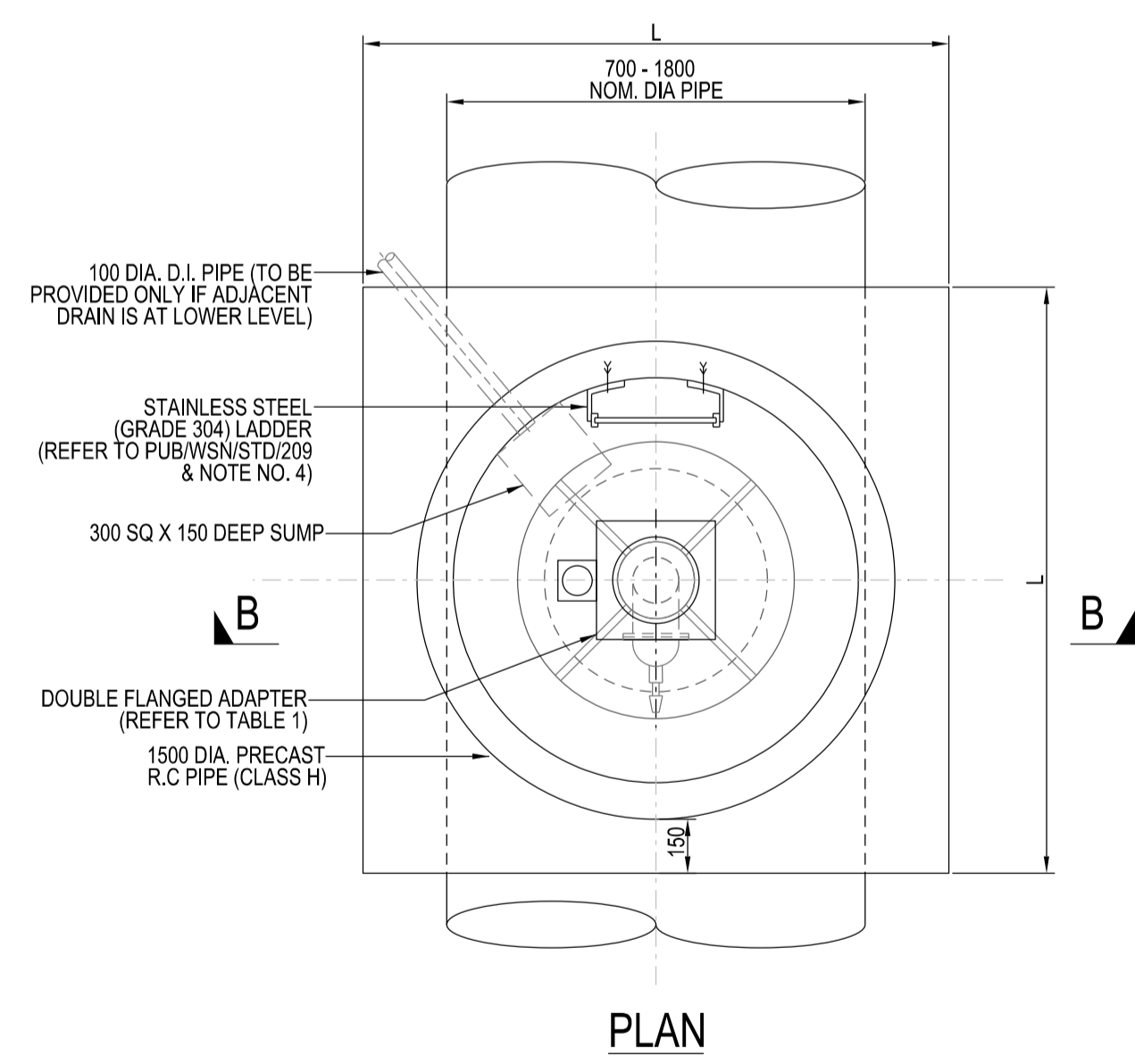
AIR VALVE CHAMBER (WITHOUT ACCESS MANHOLE)



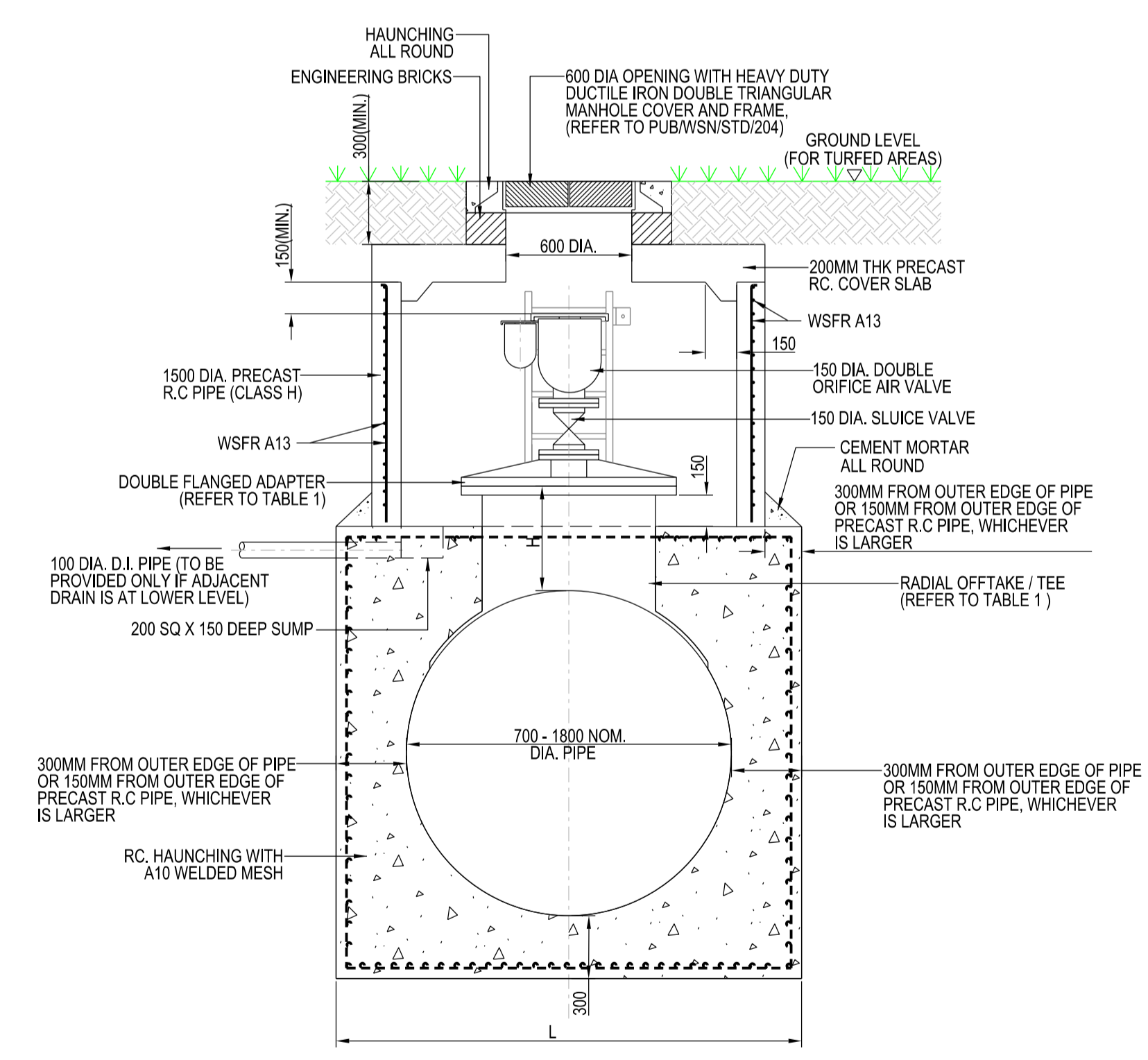
SECTION A - A



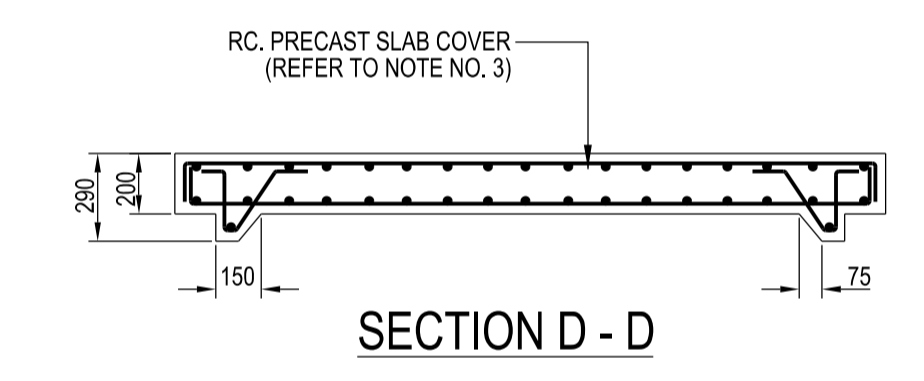
SECTION C - C



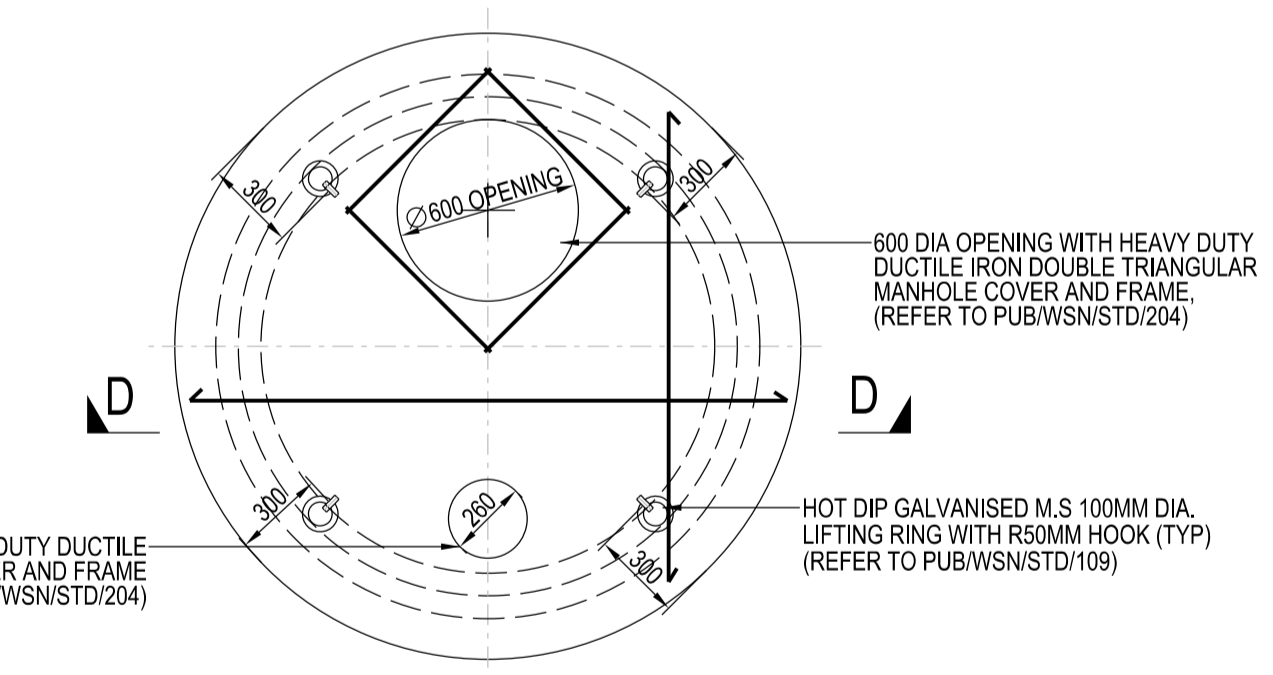
AIR VALVE CHAMBER (WITH ACCESS MANHOLE)



SECTION B - B



SECTION D - D



PLAN OF PRECAST R.C COVER SLAB

TABLE 1: ACCESS MANHOLE

| PIPE NOM. DIA. (MM) | RADIAL OFFTAKE / TEE DIA. (MM) | DOUBLE FLANGED ADAPTER (MM) | HEIGHT (H) OF RADIAL OFFTAKE / TEE (MM) |
|---------------------|--------------------------------|-----------------------------|---|
| 700                 | 700 (TEE)                      | 700 X 150                   | 350                                     |
| 800                 | 800 (TEE)                      | 800 X 150                   | 350                                     |
| 900                 | 800 (TEE)                      | 800 X 150                   | 375                                     |
| 1200                | 800 (TEE)                      | 800 X 150                   | 370                                     |
| 1400                | 800 (TEE)                      | 800 X 150                   | 490                                     |
| 1600                | 800 (RADIAL OFFTAKE)           | 800 X 150                   | 455                                     |
| 1800                | 800 (RADIAL OFFTAKE)           | 800 X 150                   | 455                                     |

ISSUED: SEP 2020

SCALE

1:25

TYPICAL AIR VALVE CHAMBER WITH PA / LEAK DETECTION OR WQPA SENSORS FOR (700-1800MM DIA. PIPELINES)

LAST REVIEWED: SEP 2020