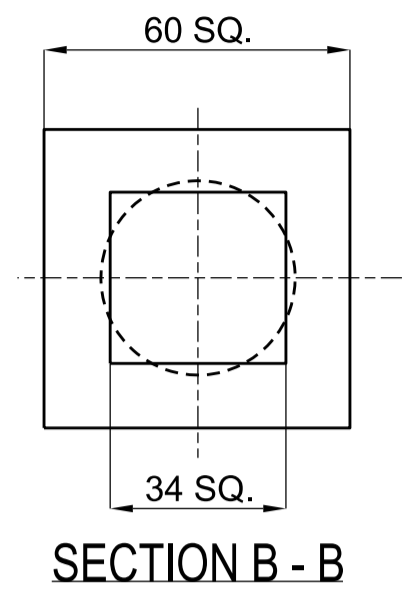
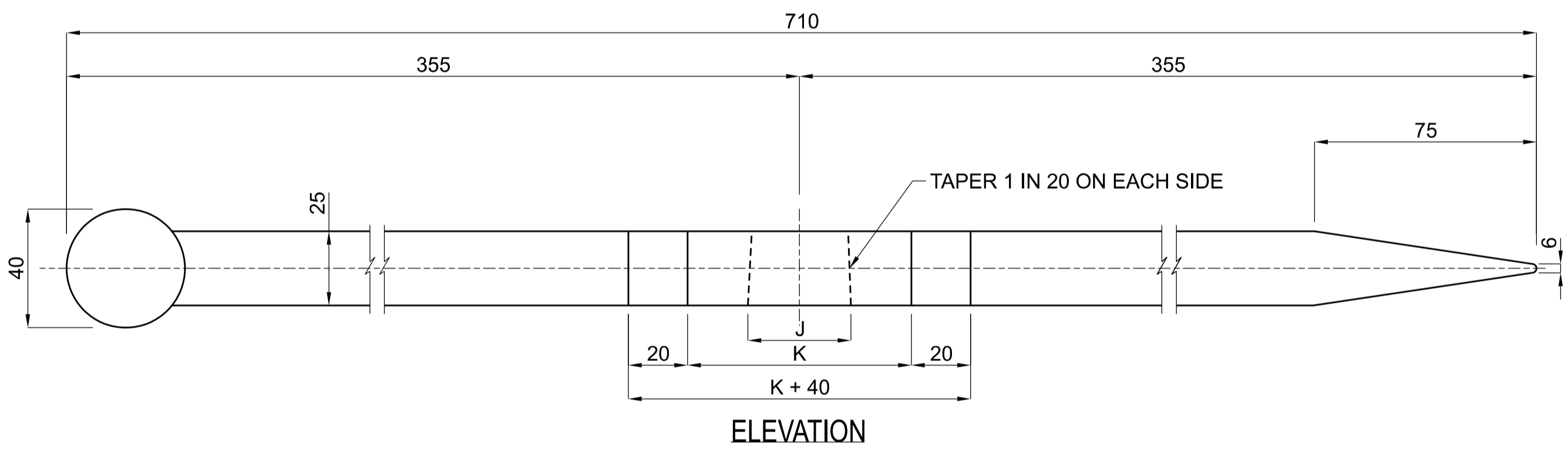
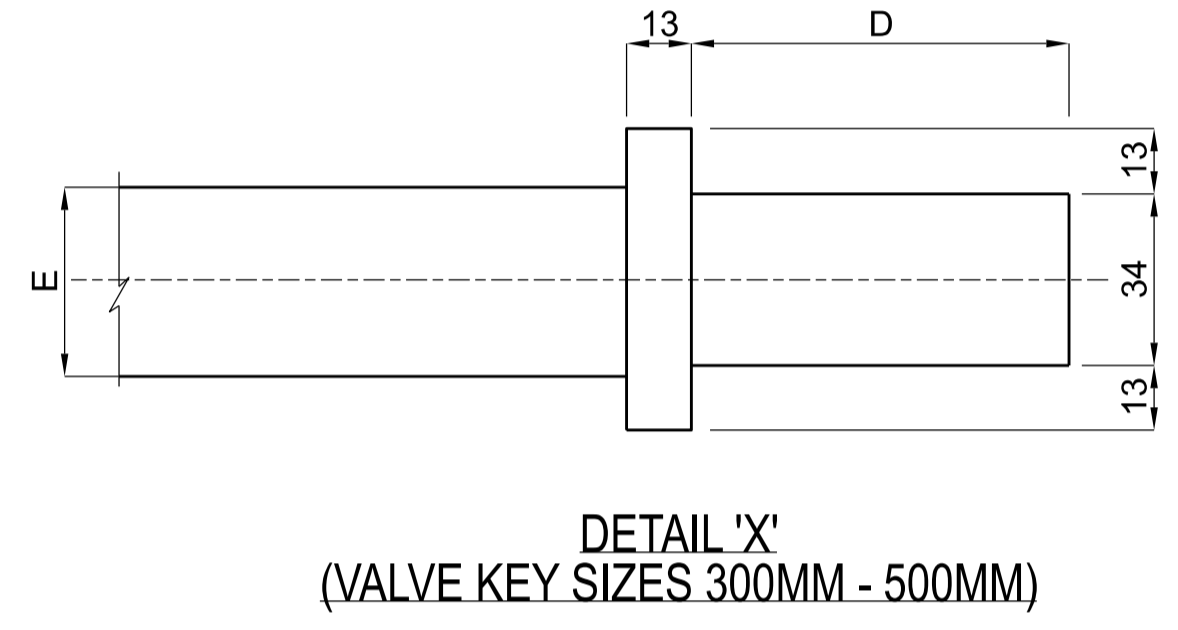
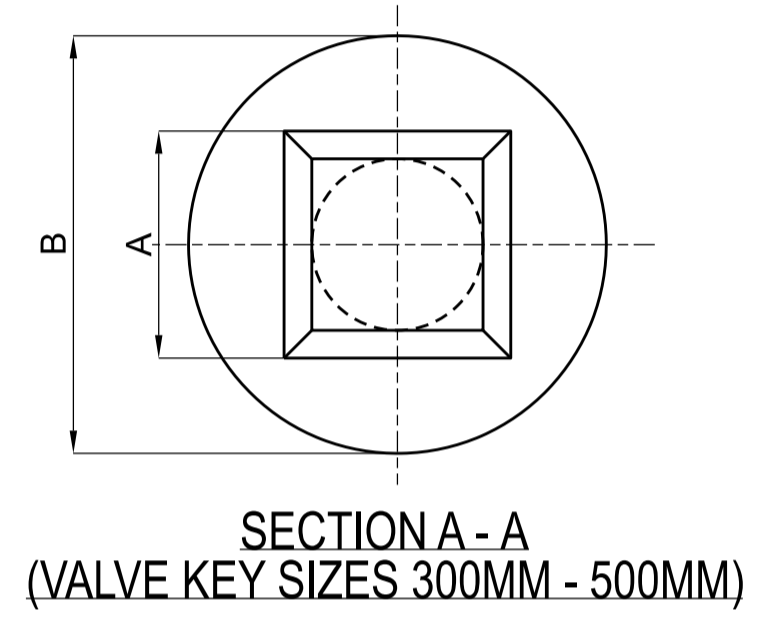
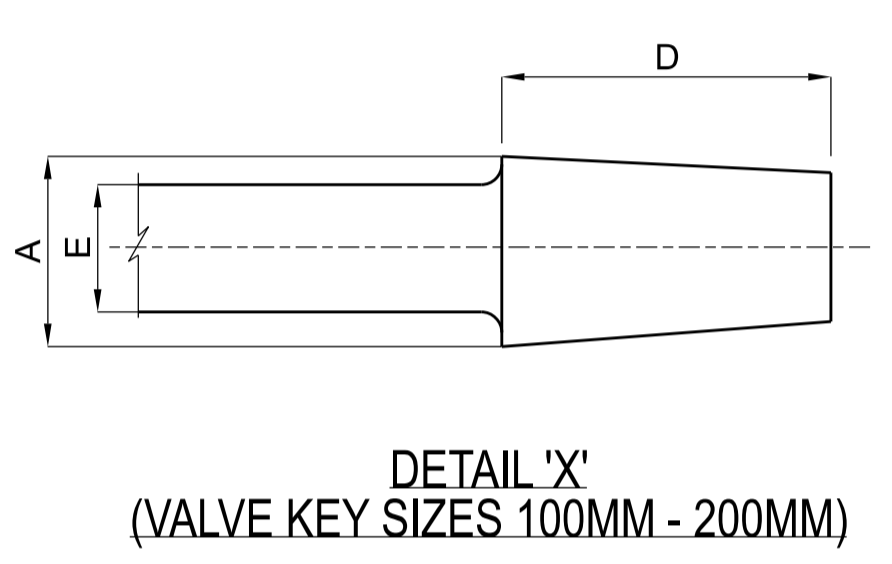
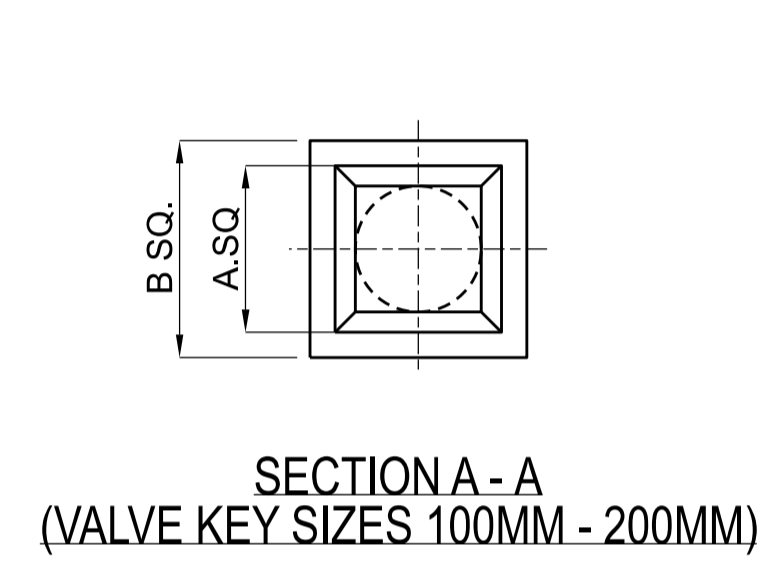


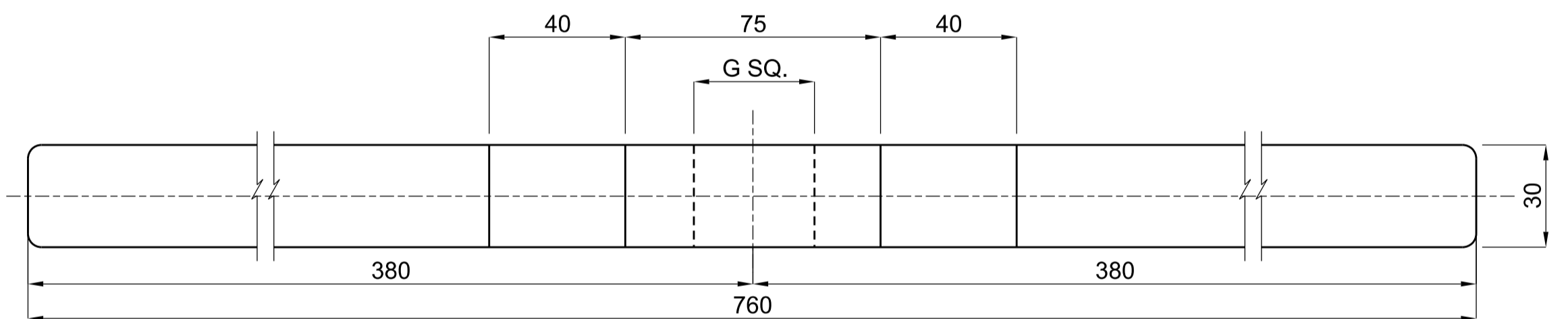
ELEVATION OF VALVE KEY



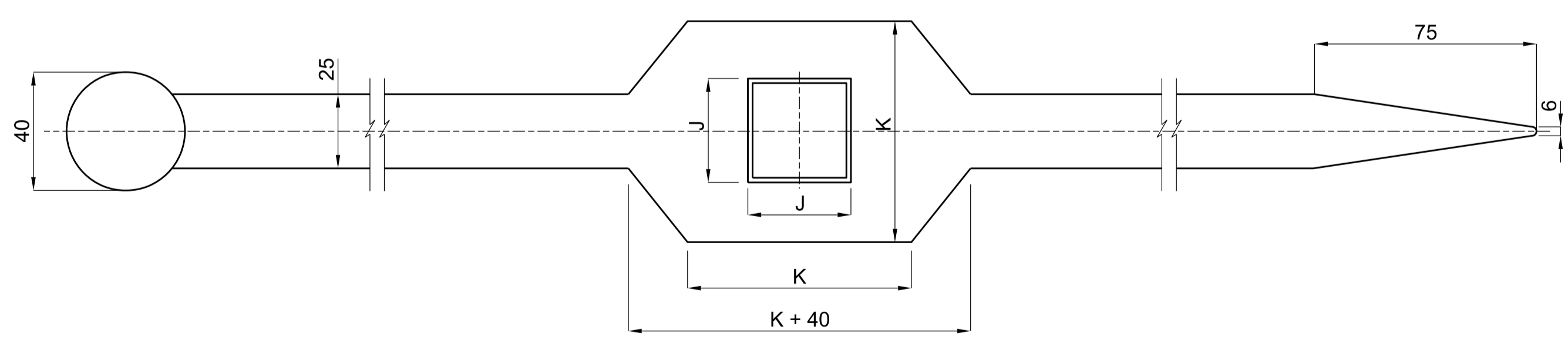
SIZES OF VALVE	A SQUARE (MM)	B (MM)	C (MM)	D (MM)	E DIA. (MM)	F LONG (MM)	F1 SHORT (MM)
100MM - 200MM	38	60 SQ.	83	64	28	1830	1090
					25	3050	
300MM - 500MM	45	83 DIA.	108	75	38	2130	1090



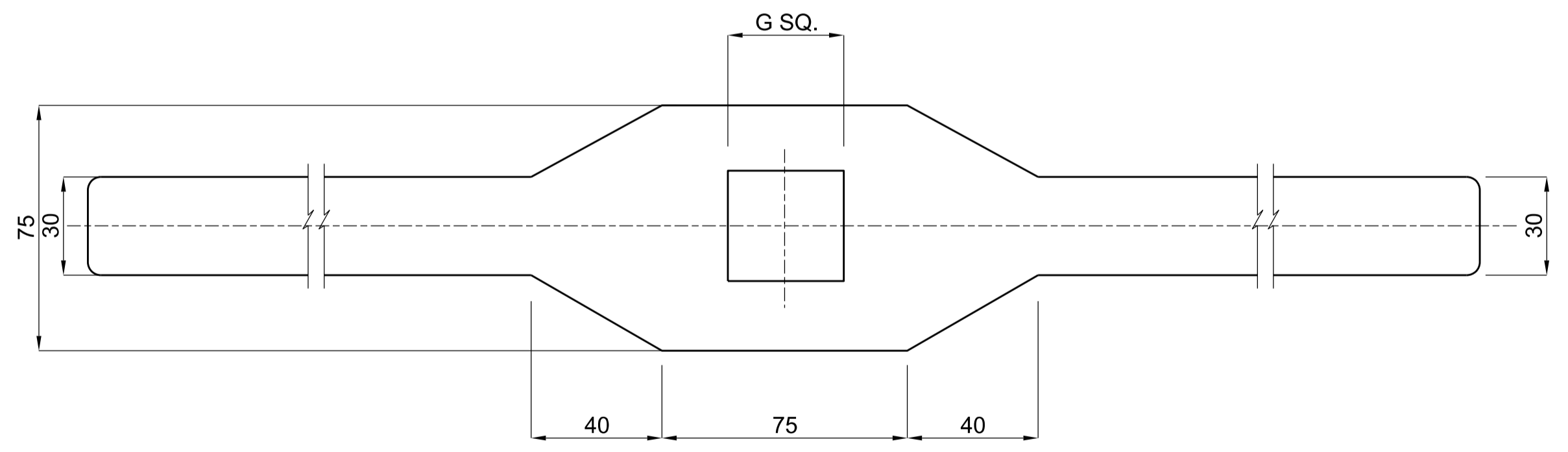
ELEVATION



ELEVATION



PLAN  
DETAILS OF HANDLE FOR KEY SIZES 100MM - 200MM



PLAN  
DETAILS OF HANDLE FOR KEY SIZES 300MM - 500MM

SIZES OF VALVE	J (MM)	K (MM)
100MM - 200MM	35	75

SIZES OF VALVE	G (MM)	H (MM)
300MM - 500MM	35	75

DRAWING NO.: PUB/WSN/STD/316			
REV.	DATE	SCALE: NTS	REV.: -

VALVE KEY AND KEY HANDLE FOR SLUICE VALVES