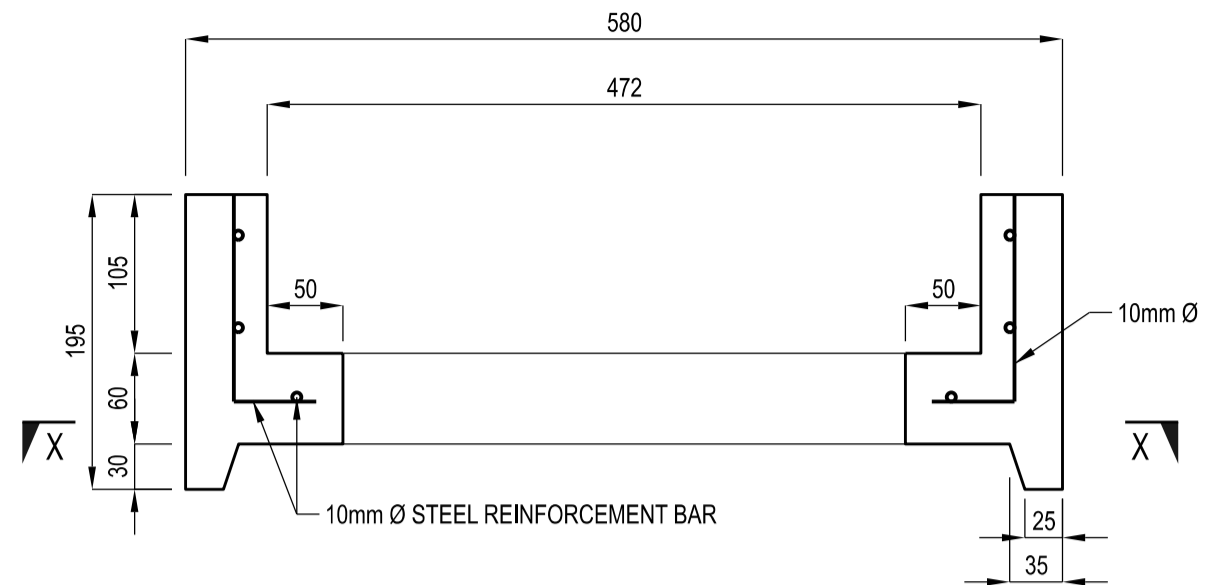
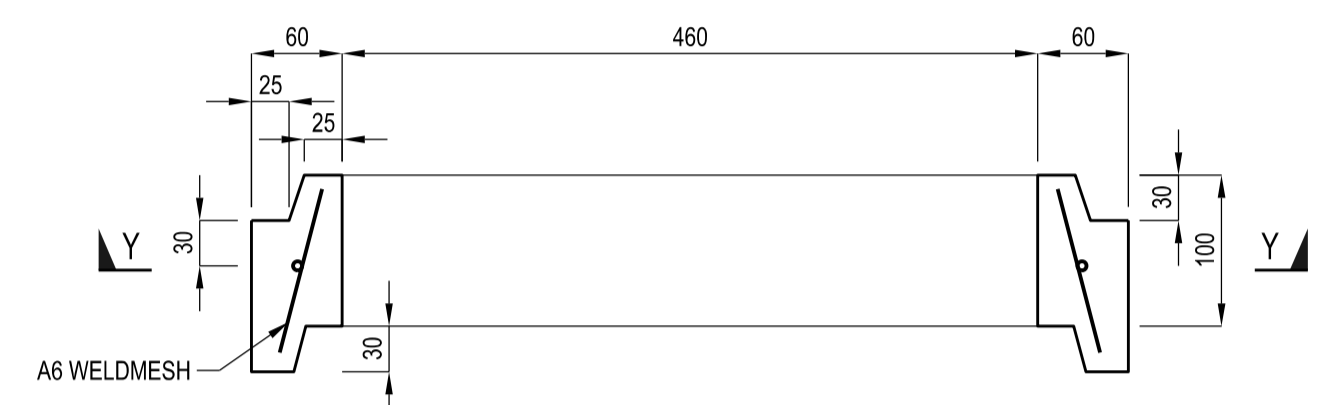


- NOTES:
1. ALL REINFORCEMENT FOR PRECAST UNITS 'B' AS STEEL WELDMESH OR EQUIVALENT.
  2. ALL STEEL REINFORCEMENT FOR PRECAST UNIT 'C' IS 10mm DIA. HIGH TENSILE STEEL BARS.
  3. ALL CONCRETE USED IS GRADE 35.
  4. CONCRETE COVER IS 20mm FROM OUTERMOST REINFORCEMENT.



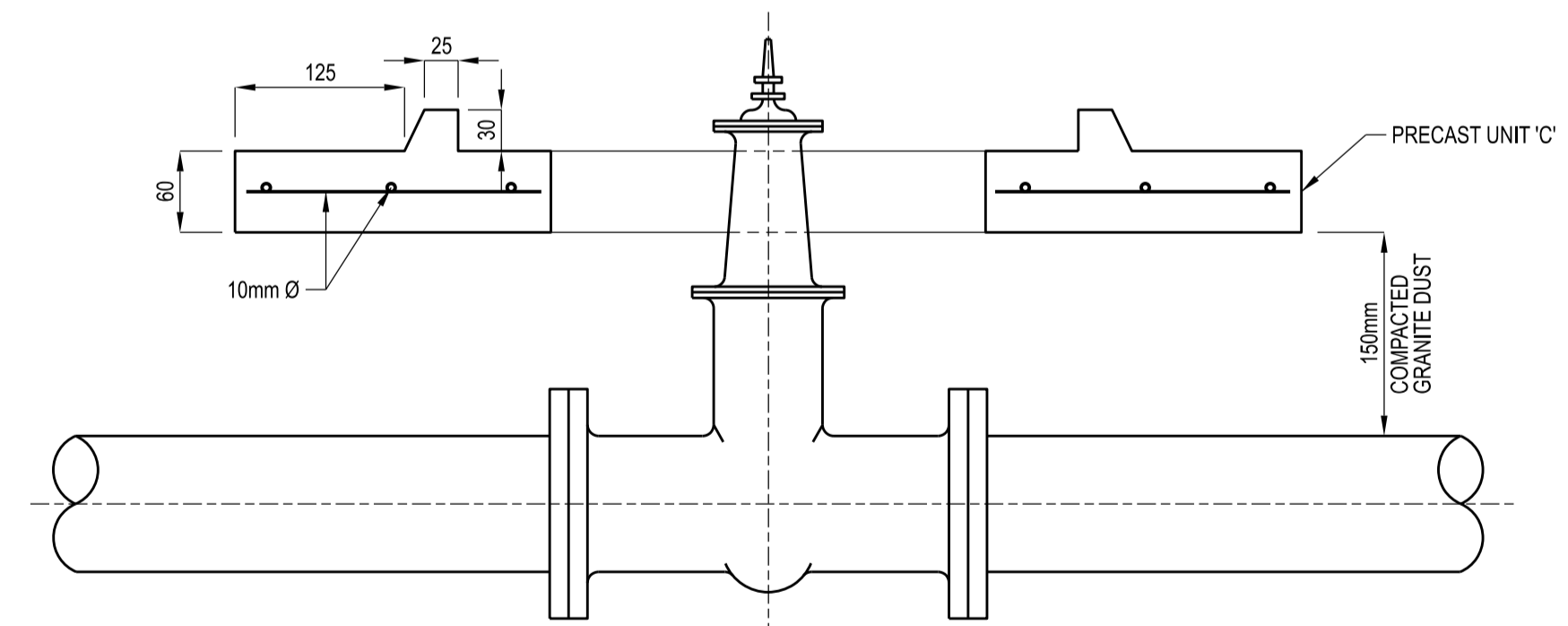
PRECAST UNIT 'A' (TOP)



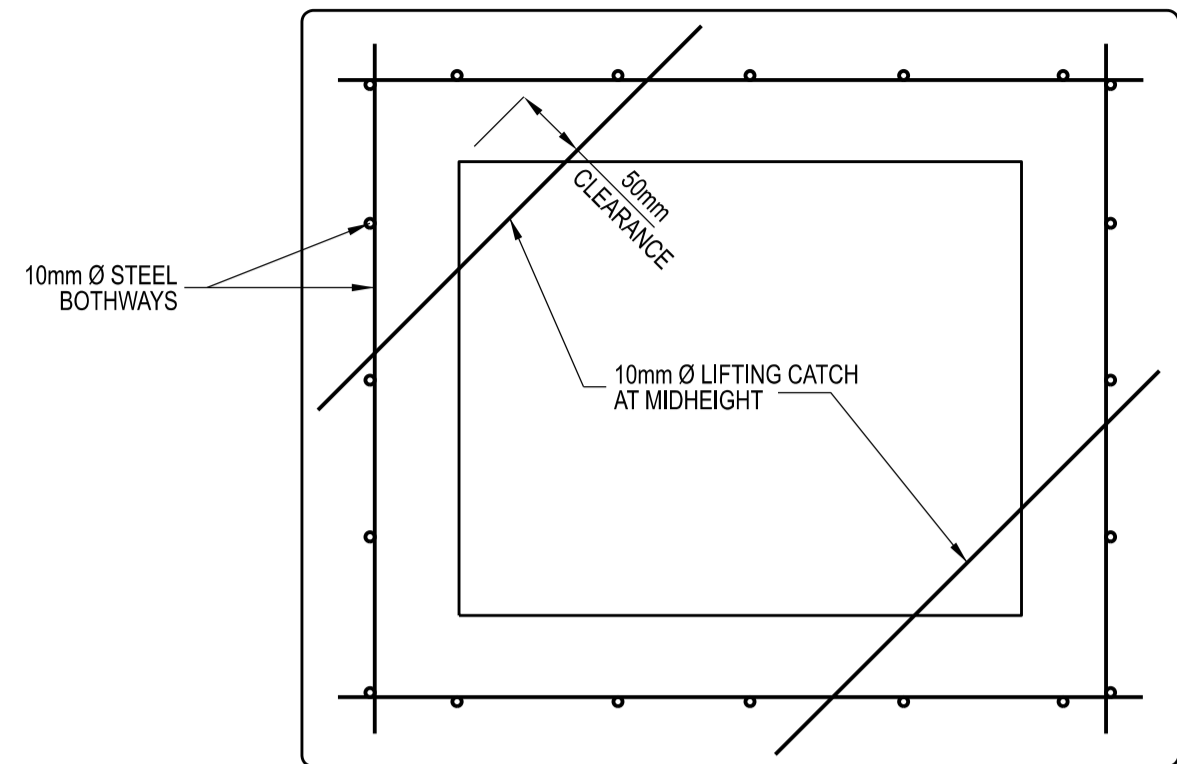
PRECAST UNIT 'B' (MIDDLE)



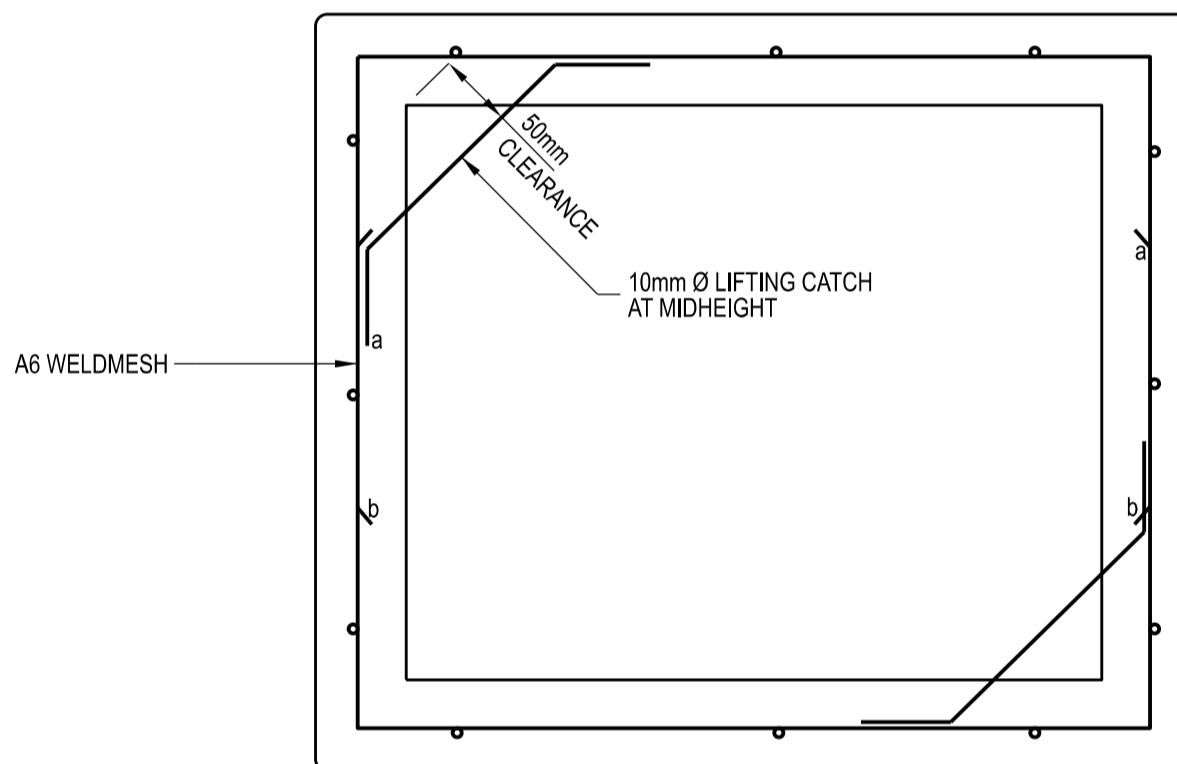
PRECAST UNIT 'A' (BASE)



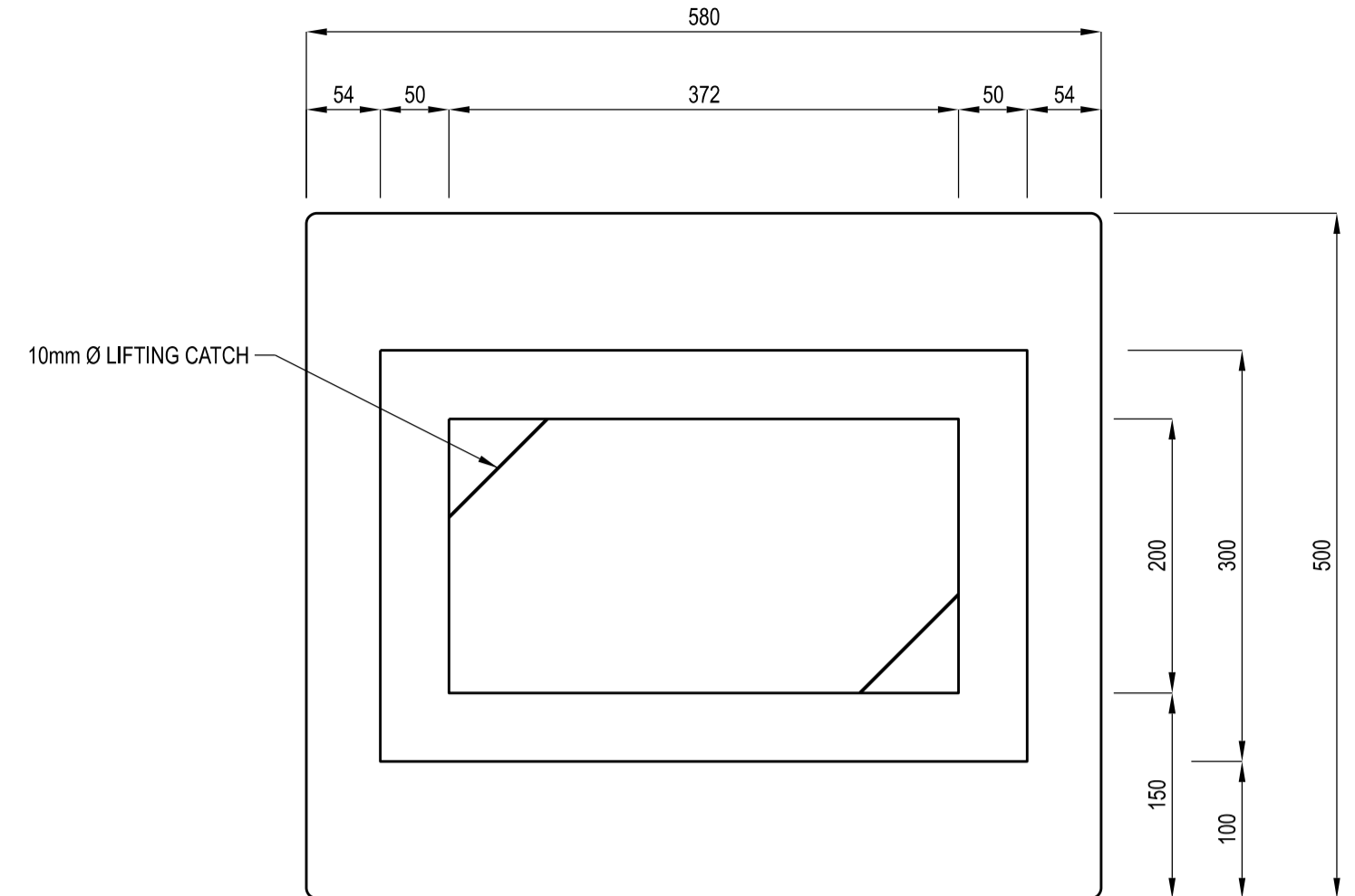
ELEVATION



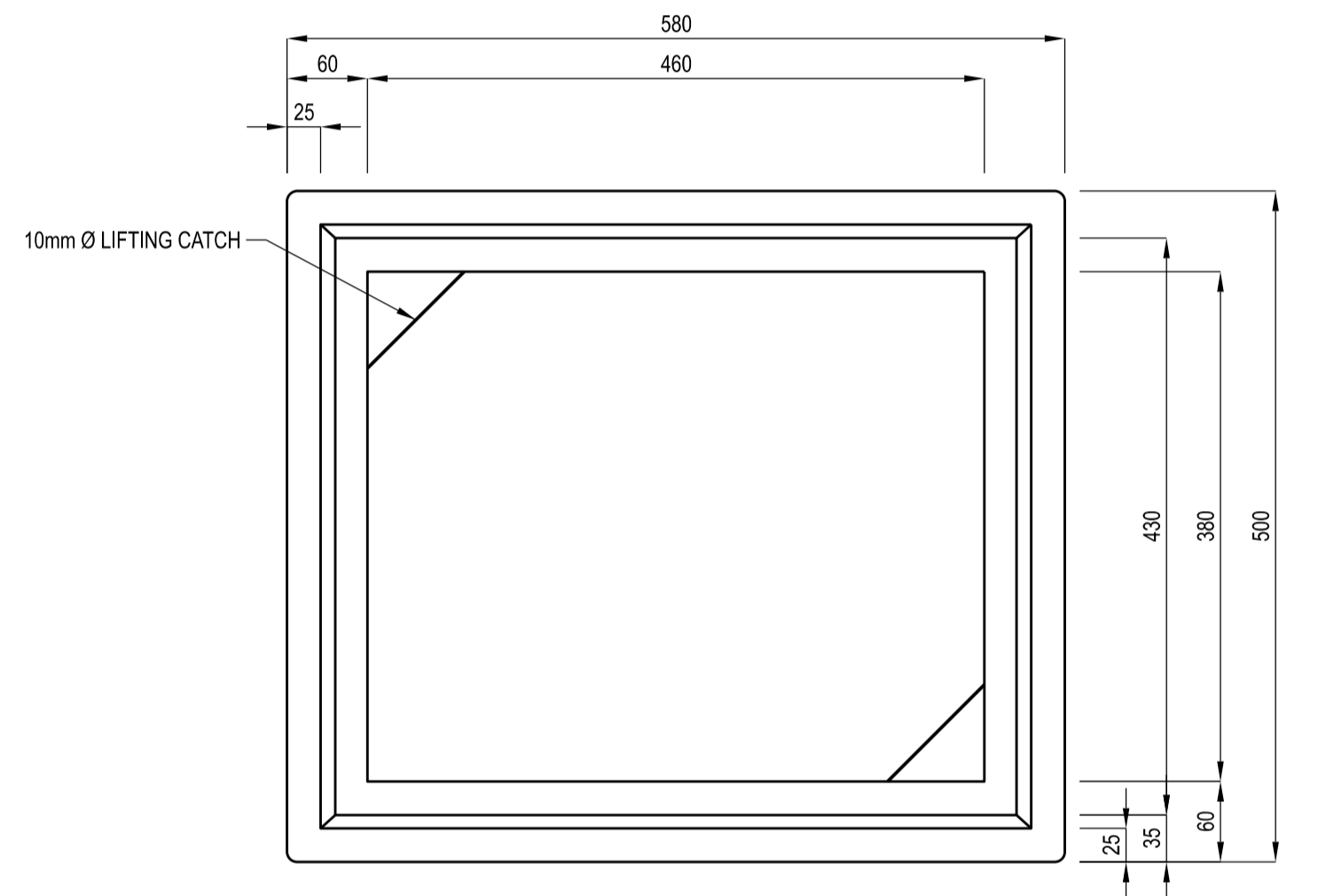
SECTION X - X



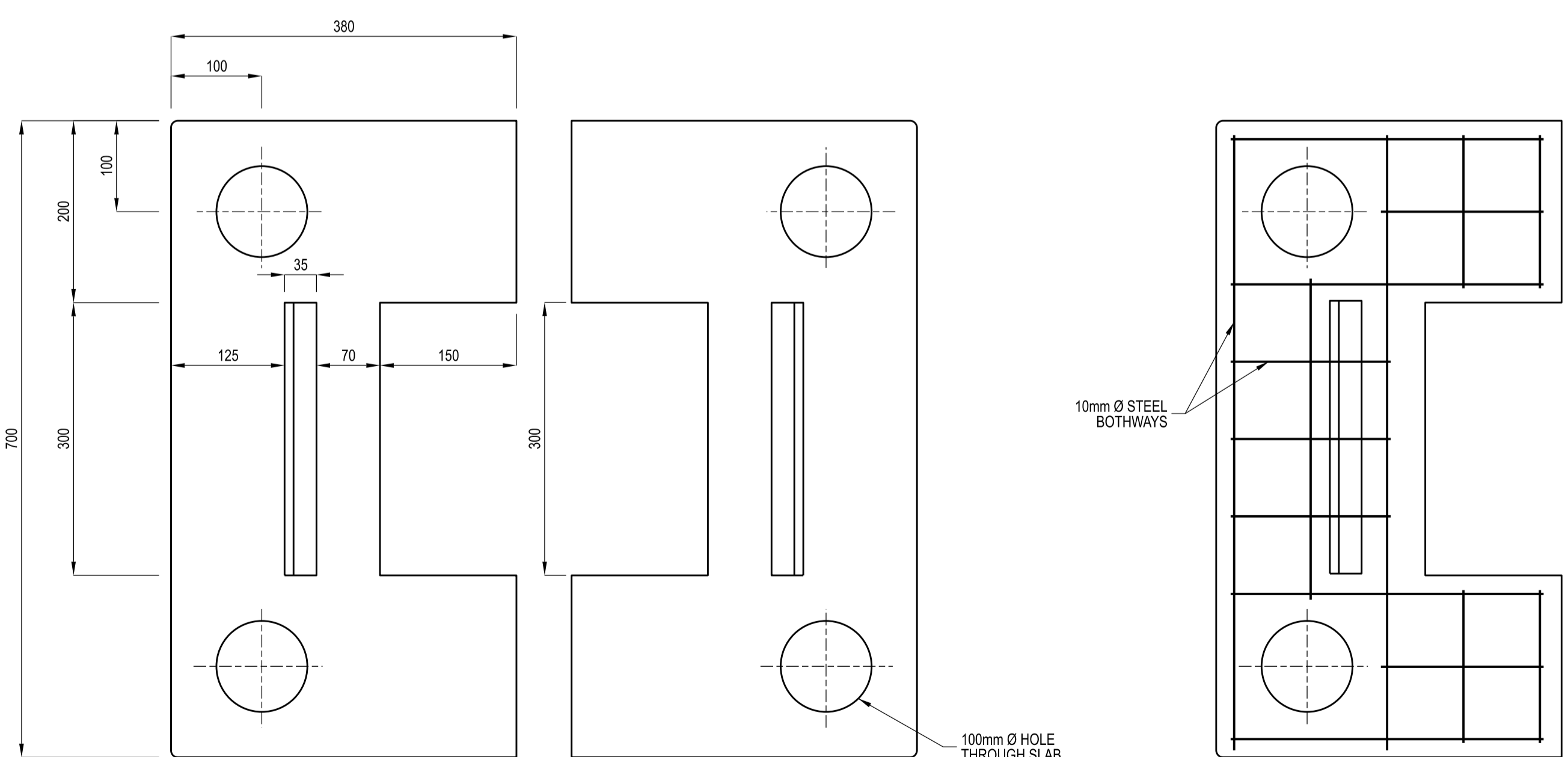
SECTION Y - Y



PRECAST UNIT 'A'



PRECAST UNIT 'B'



PRECAST 'C'

DRAWING NO.: PUB/WSN/STD/315	
DATE OF ISSUE: DEC 2022	SCALE: NTS
REV.:	DATE:

PRECAST RC CHAMBER FOR SLUICE VALVES