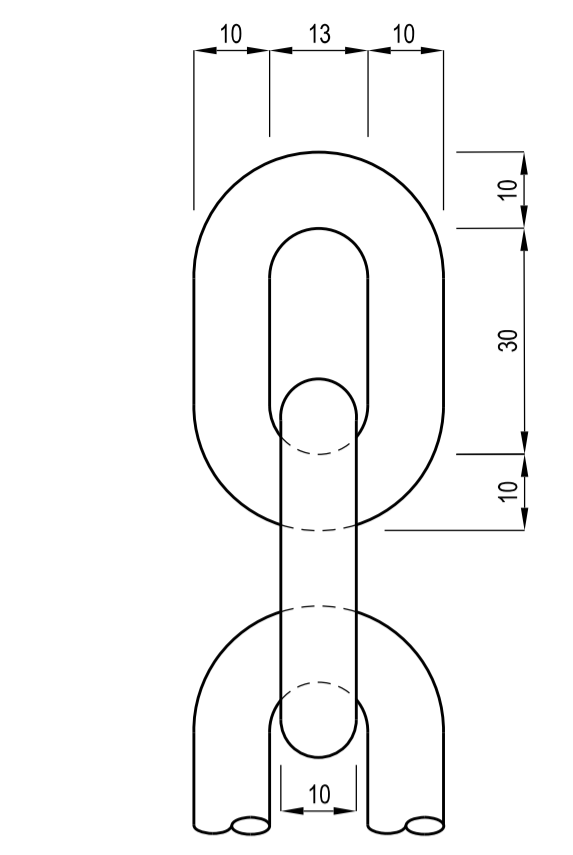
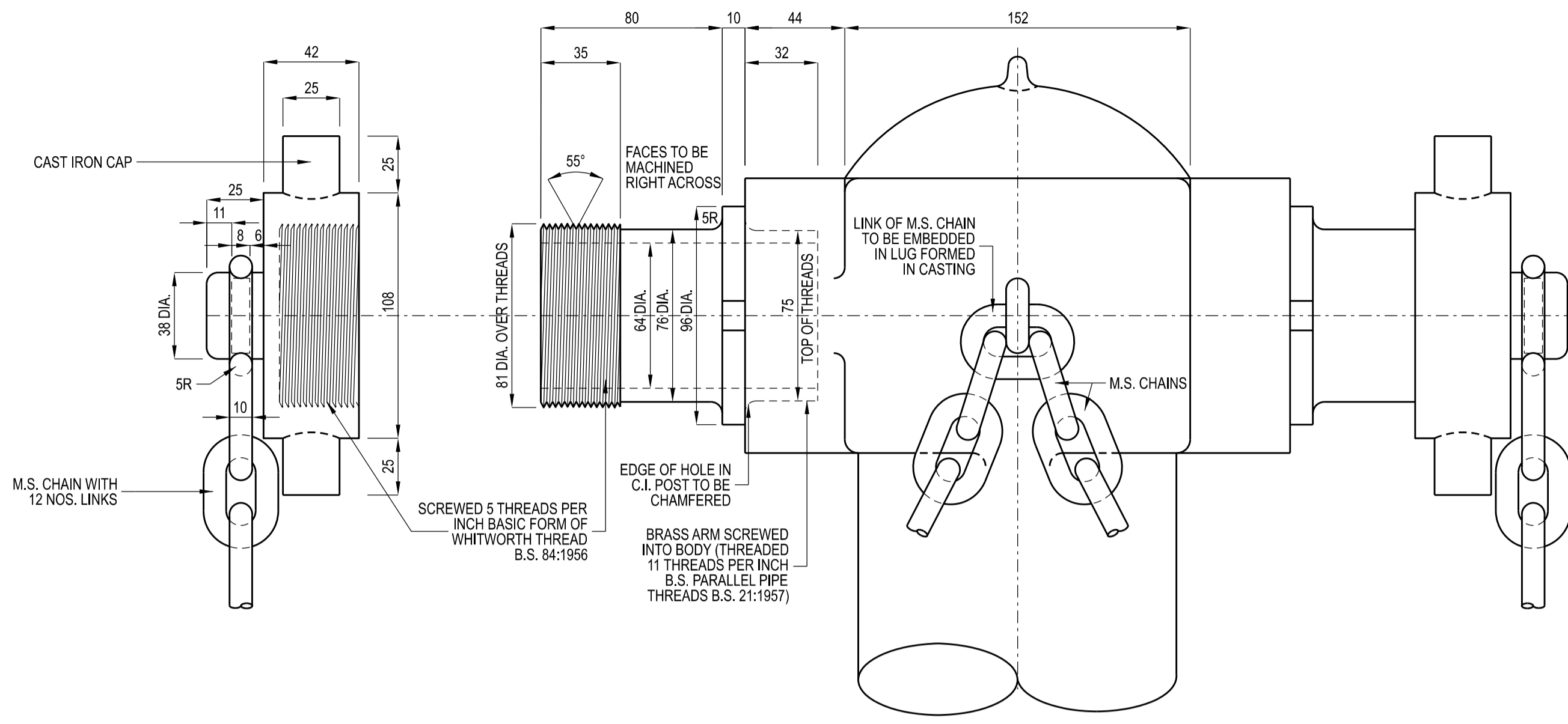
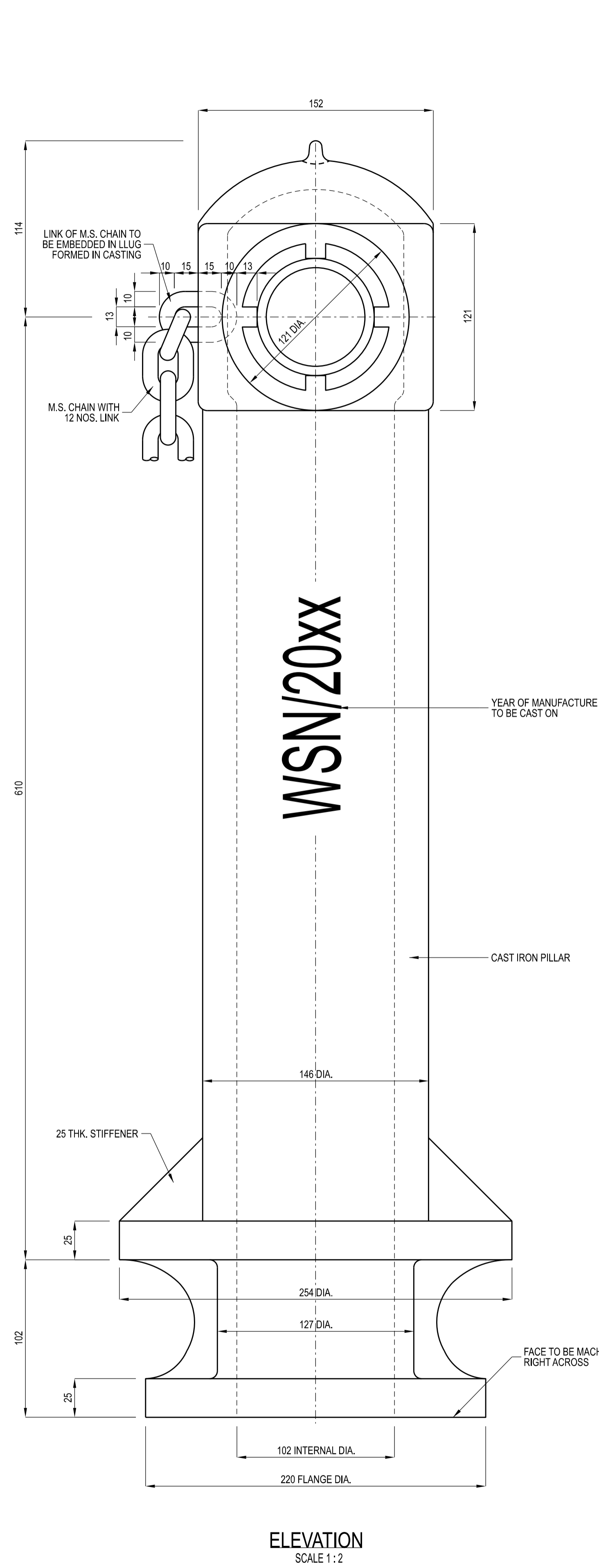
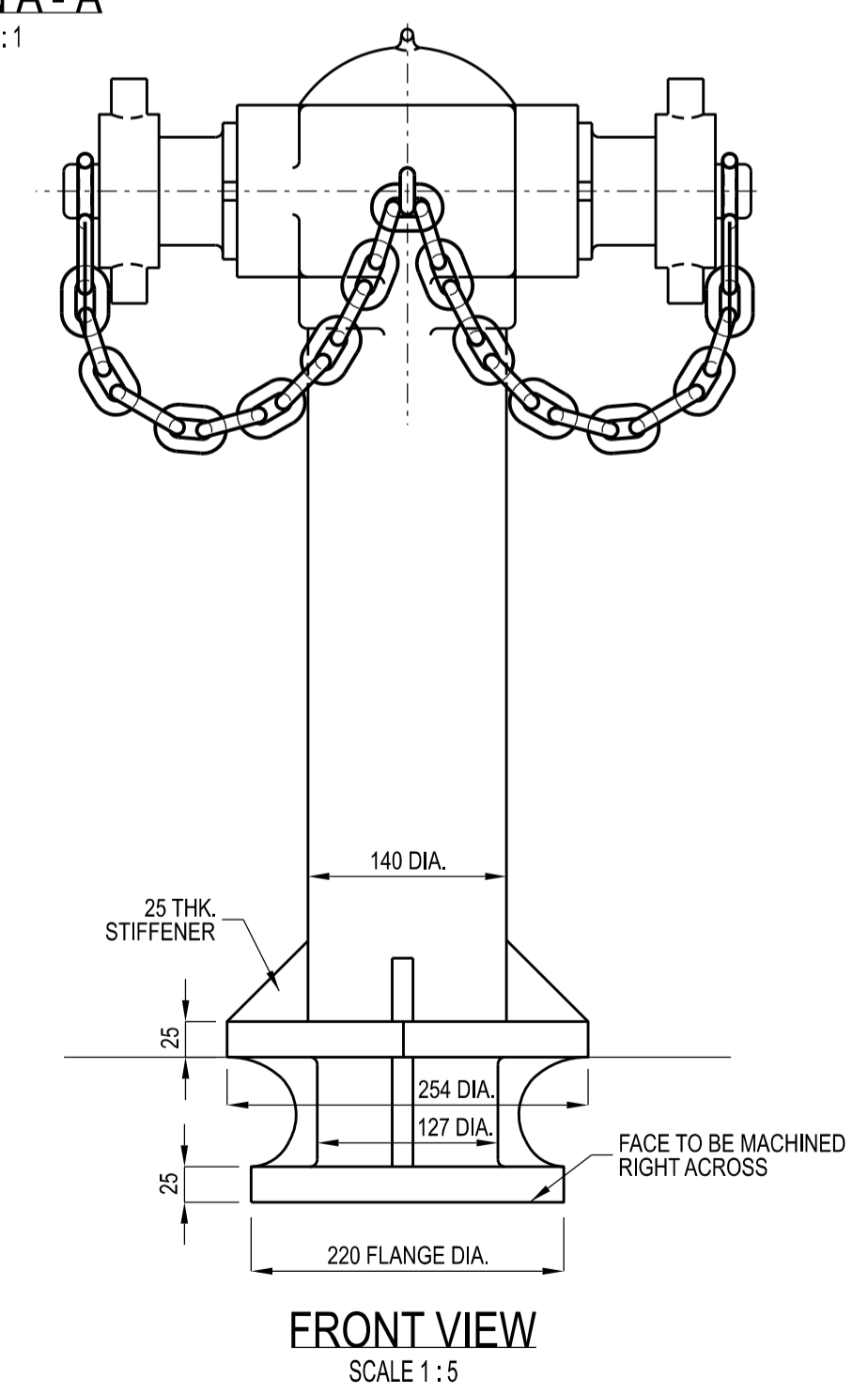
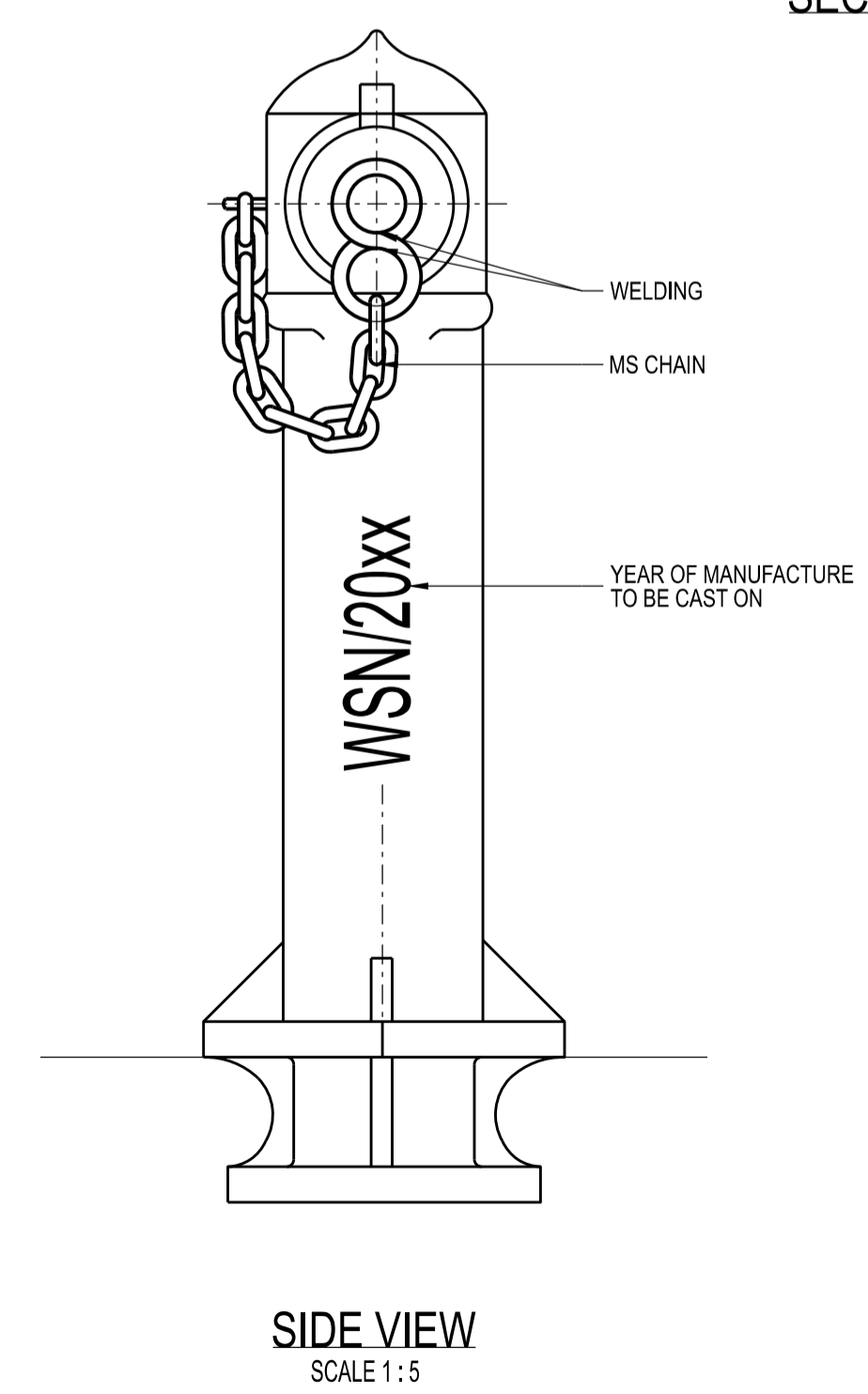
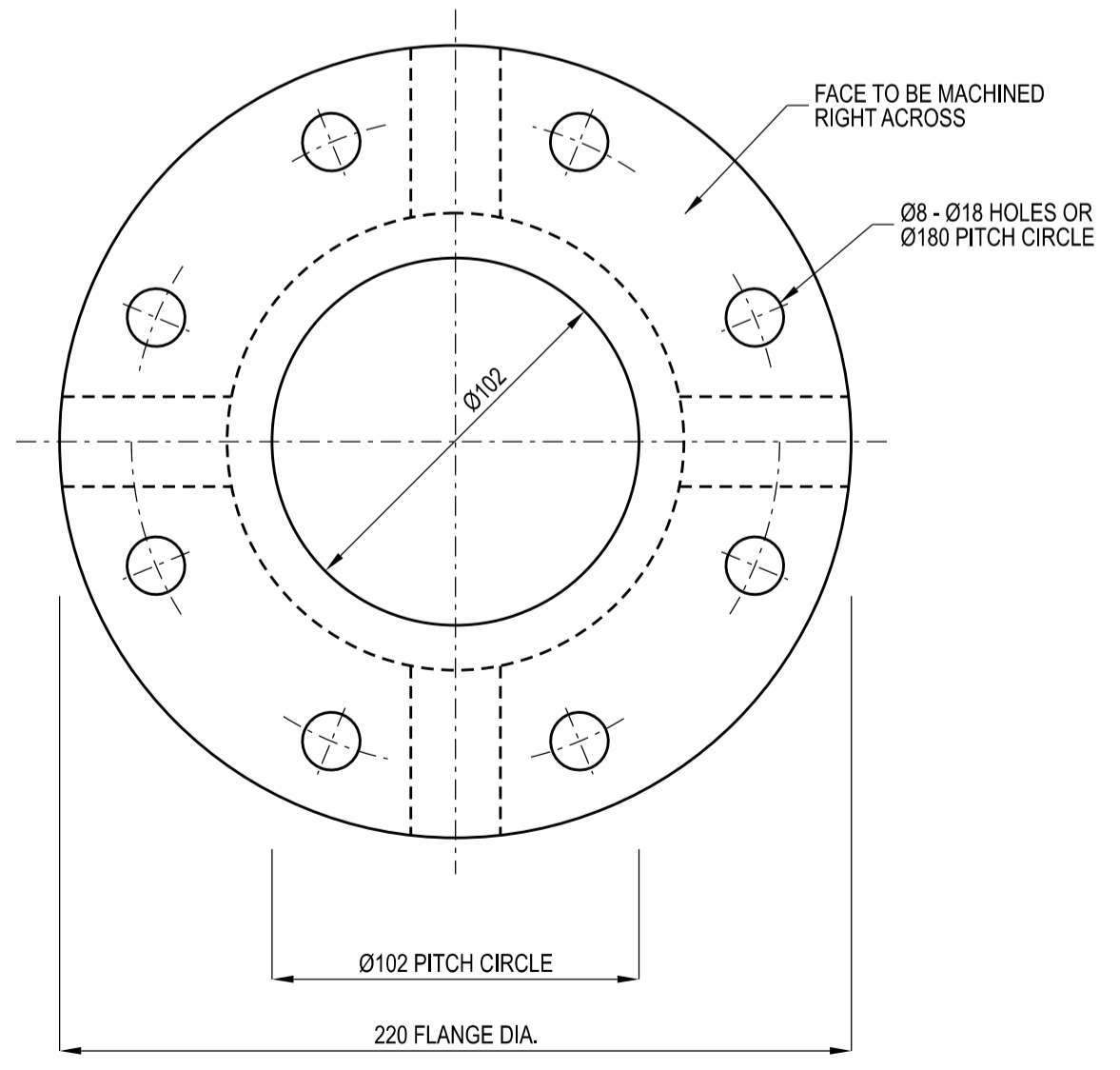
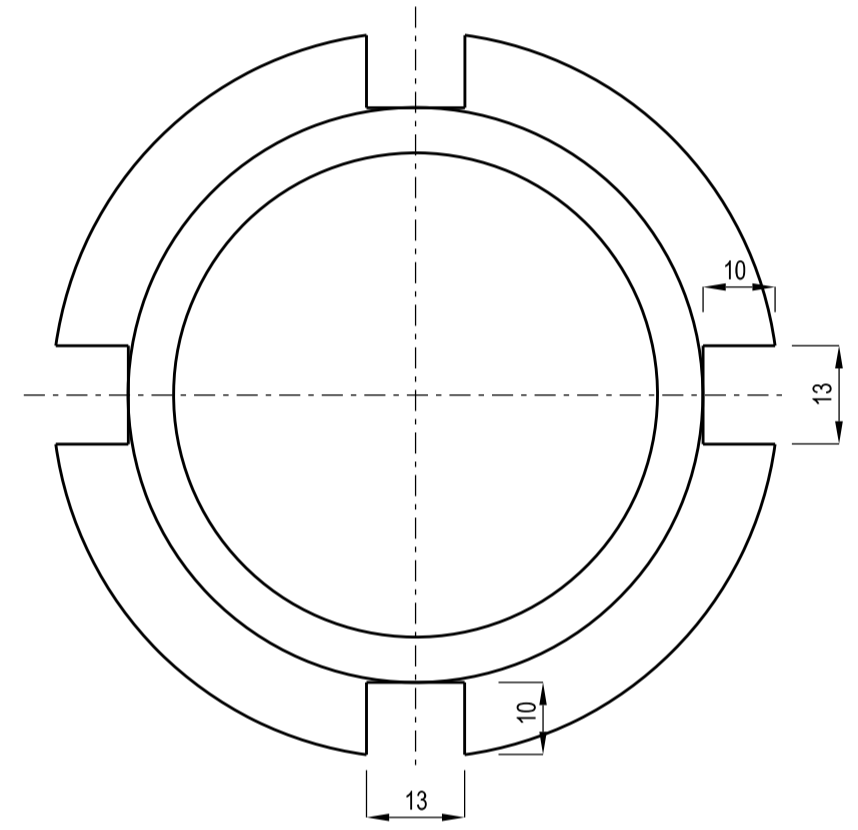
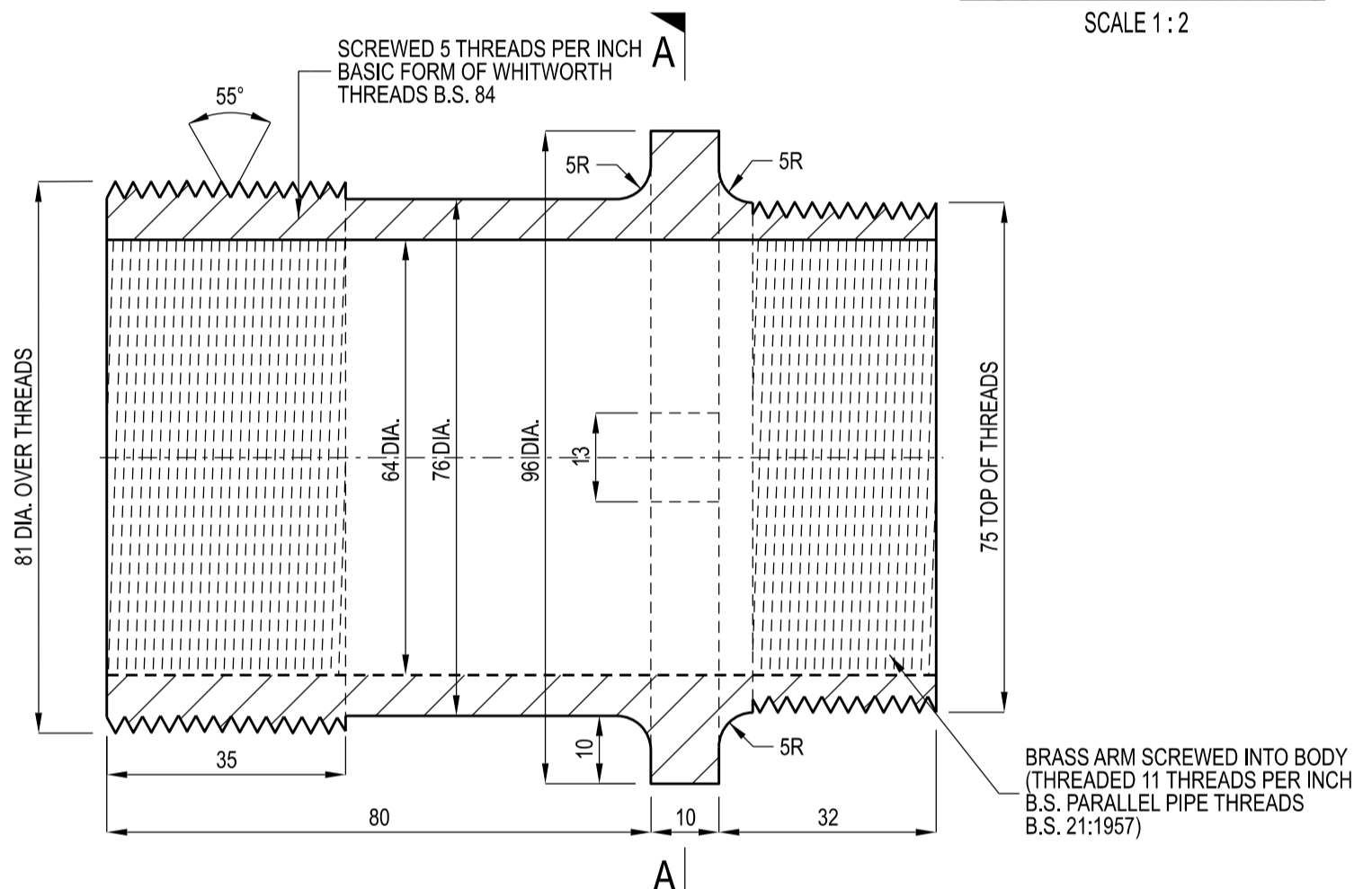


NOTES
ALL DIMENSIONS ARE IN MILLIMETRES UNLESS OTHERWISE STATED.



ASSEMBLY DETAILS
SCALE 1:2



DRAWING NO.:	PUB/WSN/STD/313		
DATE OF ISSUE:	DEC 2022	SCALE:	AS SHOWN
REV.:	DATE	REV.:	-

100MM DIA. DOUBLE PILLAR HYDRANT