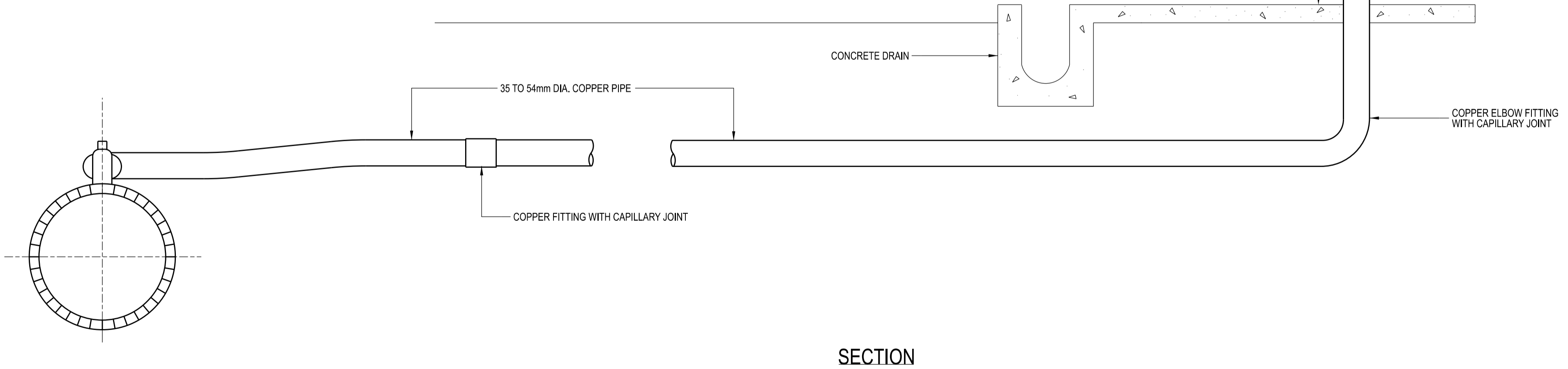
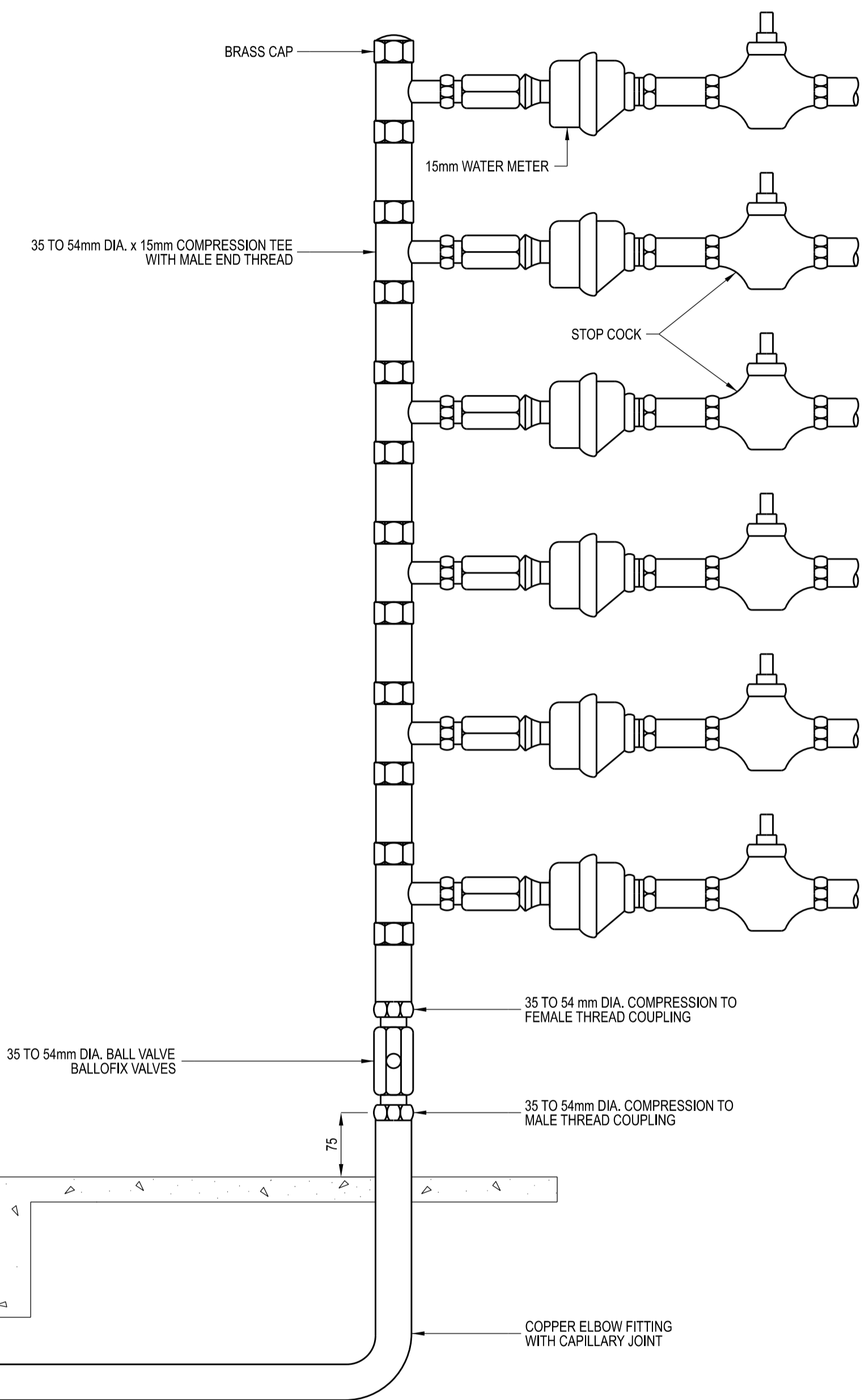
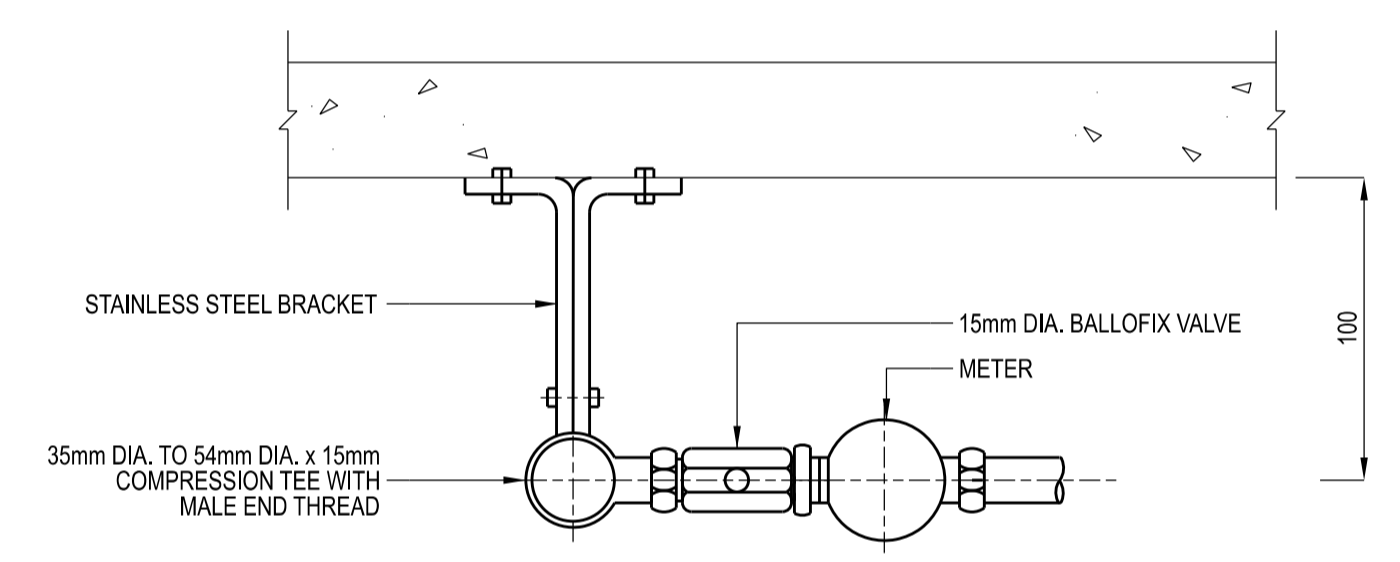
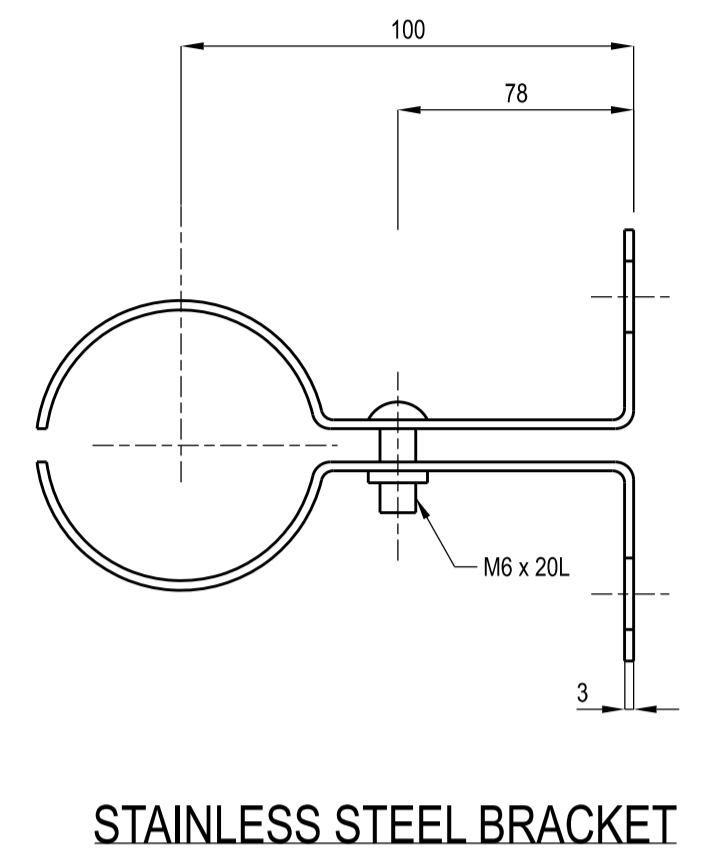
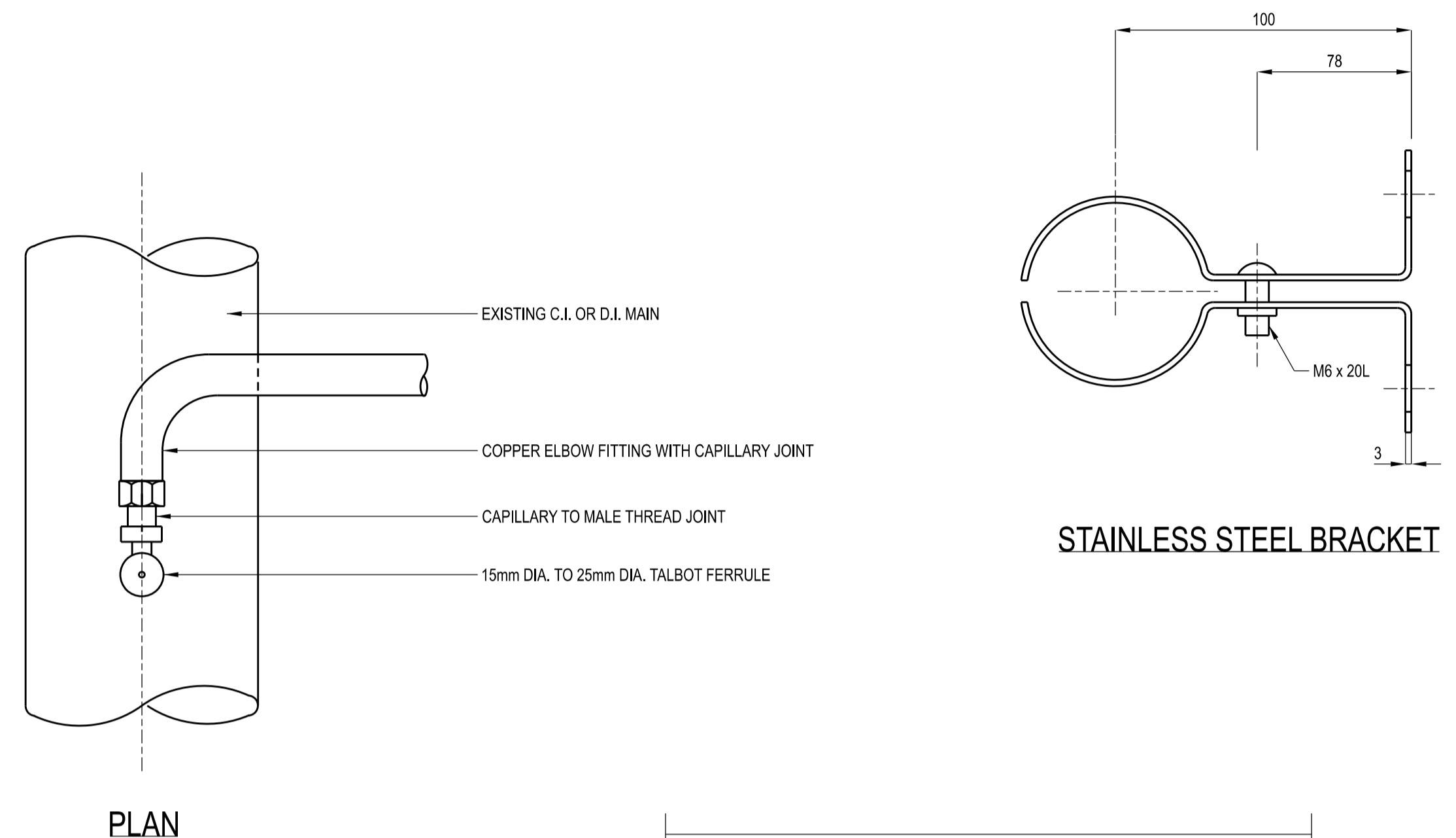


- NOTE:
1. ALL PIPES AND FITTINGS TO BE SUPPLIED BY CONTRACTOR.
 2. RISER BRACKETS TO BE AT 0.5m INTERVAL.
 3. THIS DRAWING SERVES AS A GUIDE ONLY. THERE WILL BE DEVIATIONS UNDER DIFFERENT SITE CONDITIONS. THE RATES ENTERED IN THE B/Q WILL BE HELD TO INCLUDE ALL SUCH DEVIATION. ALTERNATIVE FITTINGS MAY BE USED AT THE DISCRETION OF THE S.O.



DRAWING NO.: PUB/WSN/STD/309		DATE OF ISSUE: DEC 2022		SCALE: NTS	REV.: -
REV.	DATE				

LAYOUT OF COPPER PIPE CONNECTION WITH METER TEE STACK RISER