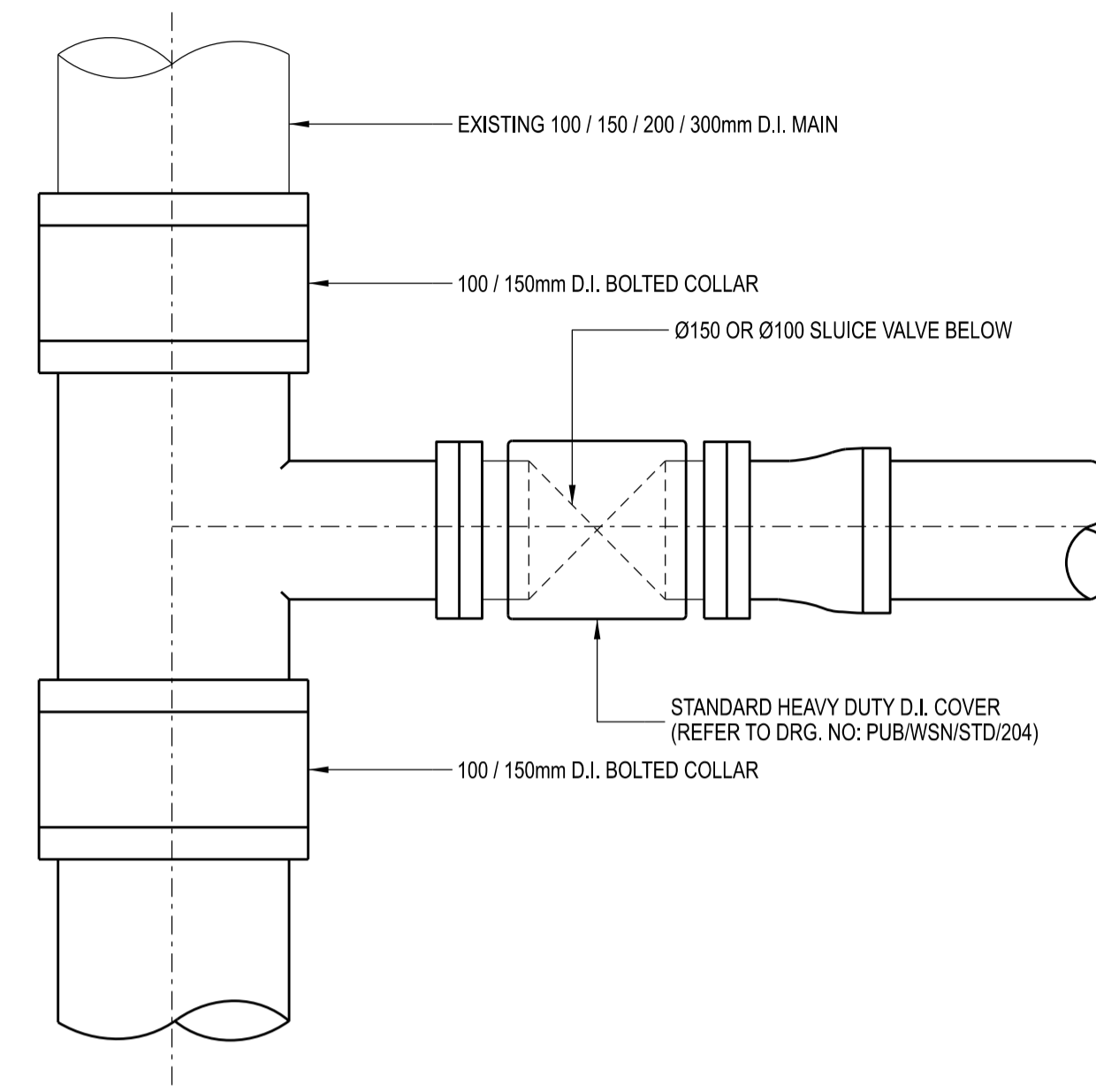
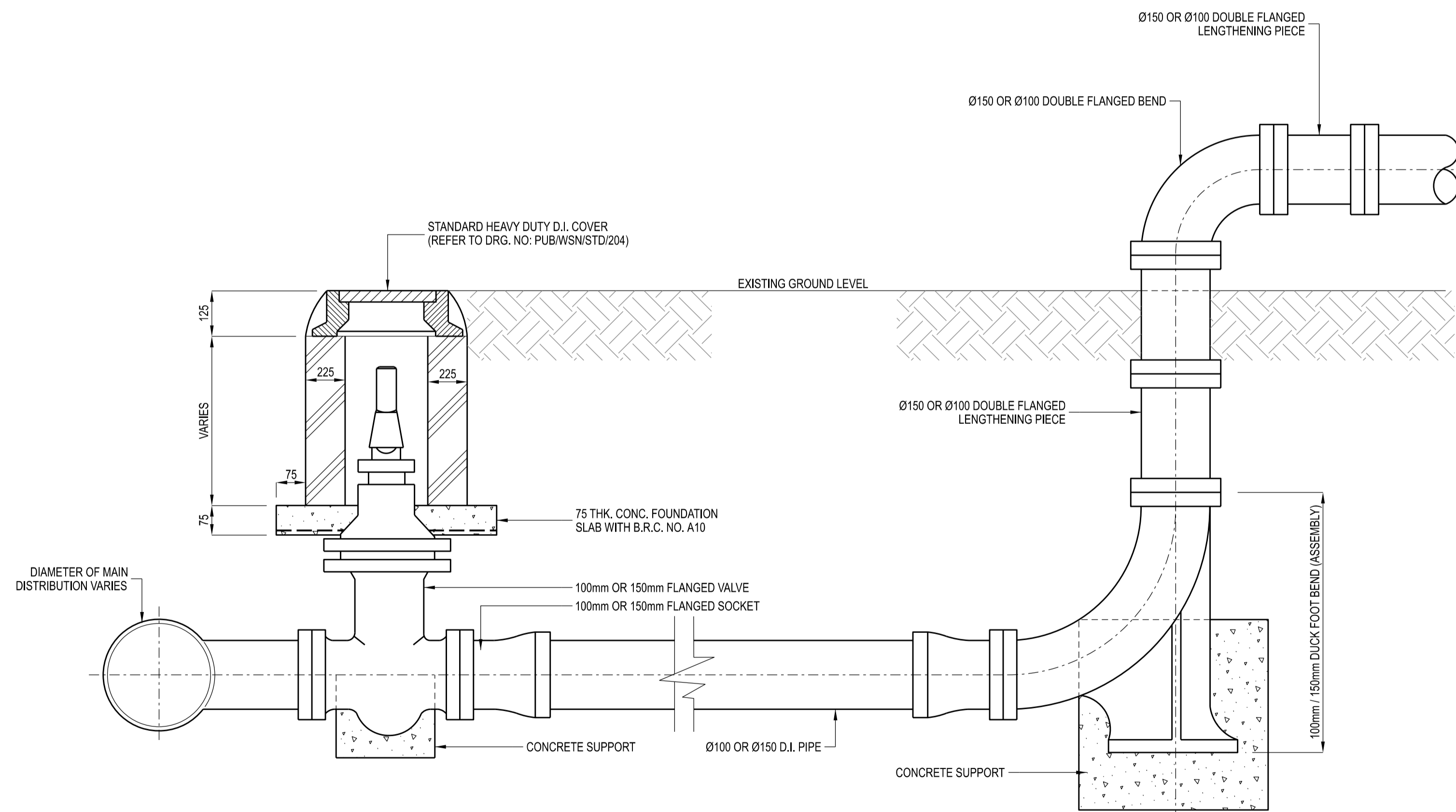


PLAN (SOCKET & SPIGOT TEE)



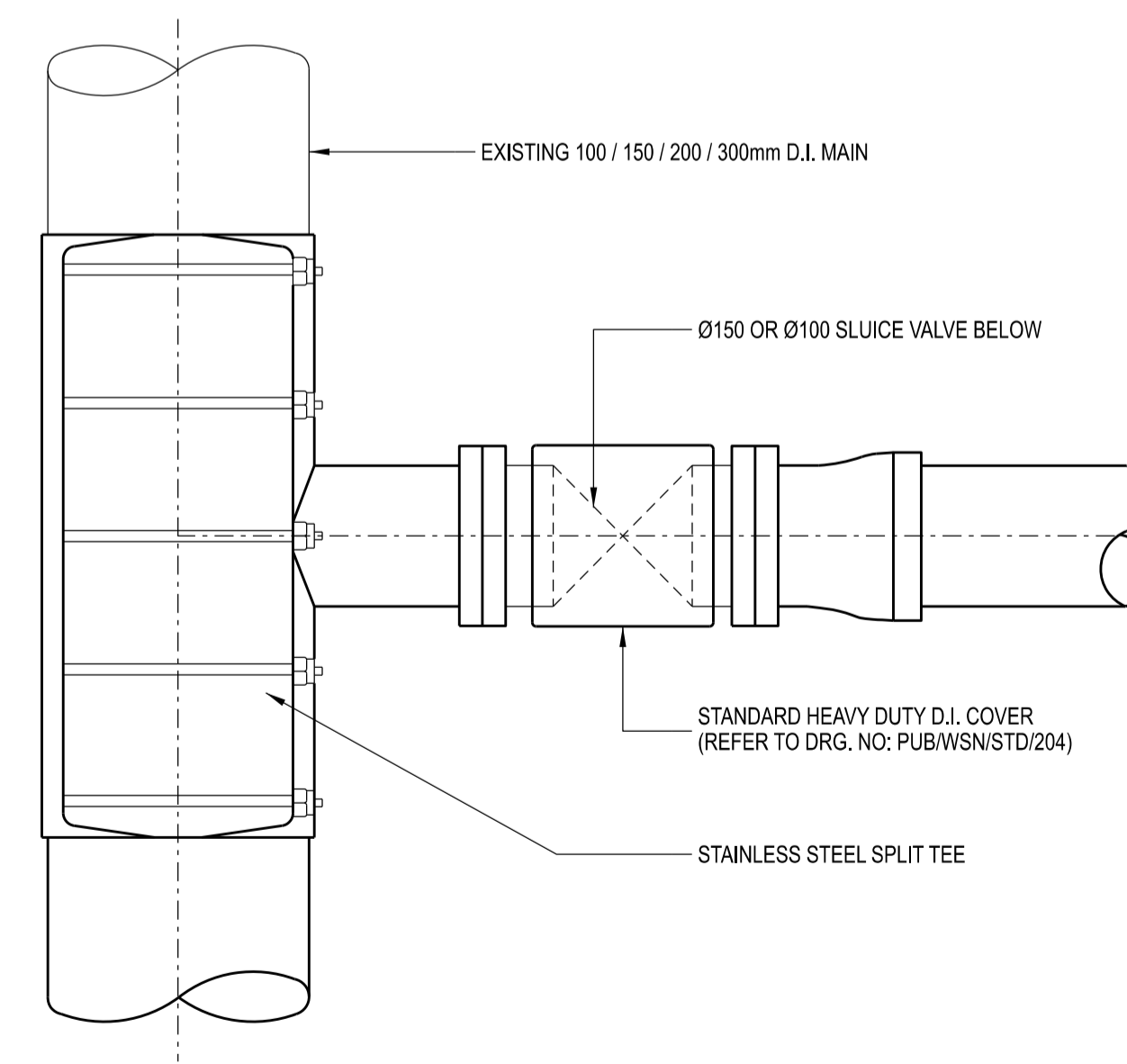
OTHER TYPE OF TEES CONFIGURATION

NOTE:  
 1) PIPE MUST BE DUCTILE IRON TO BS-EN 545:2010  
 2) FITTING MUST BE DUCTILE IRON BS-EN 545:2010  
 3) CAST IRON TO BS EN 1561  
 4) ALL PIPES & FITTINGS MUST BE CEMENT LINED INTERNALLY  
 THIS DRAWING SERVES AS A GUIDE ONLY.  
 THERE WILL BE DEVIATIONS UNDER DIFFERENT SITE CONDITIONS.  
 THE RATES ENTERED IN THE BIQ WILL BE HELD TO INCLUDED ALL SUCH DEVIATIONS. ALTERNATIVE FITTINGS MAY BE USED AT THE DISCRETION OF THE S.O.



SECTION

DOUBLE SPIGOT TEE WITH 100 / 150 DIA. FLANGE TO SUIT CONNECTION PIPE



STAINLESS STEEL SPLIT TEE

DRAWING NO.: PUB/WSN/STD/307			
DATE OF ISSUE: DEC 2022	SCALE: NTS	REV.: -	
REV.	DATE		

LAYOUT OF 100MM AND 150MM DIA. DUCTILE IRON CONNECTIONS