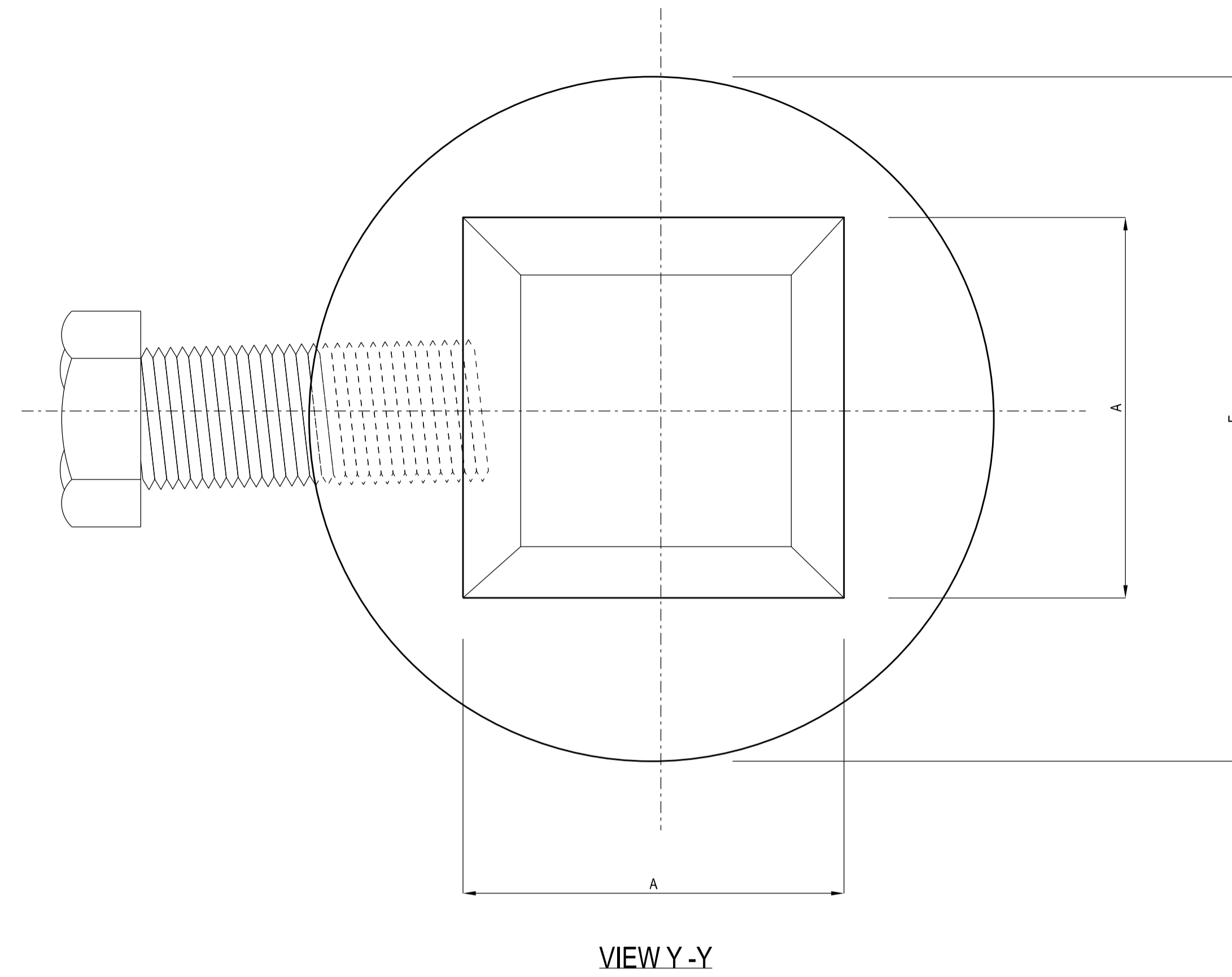
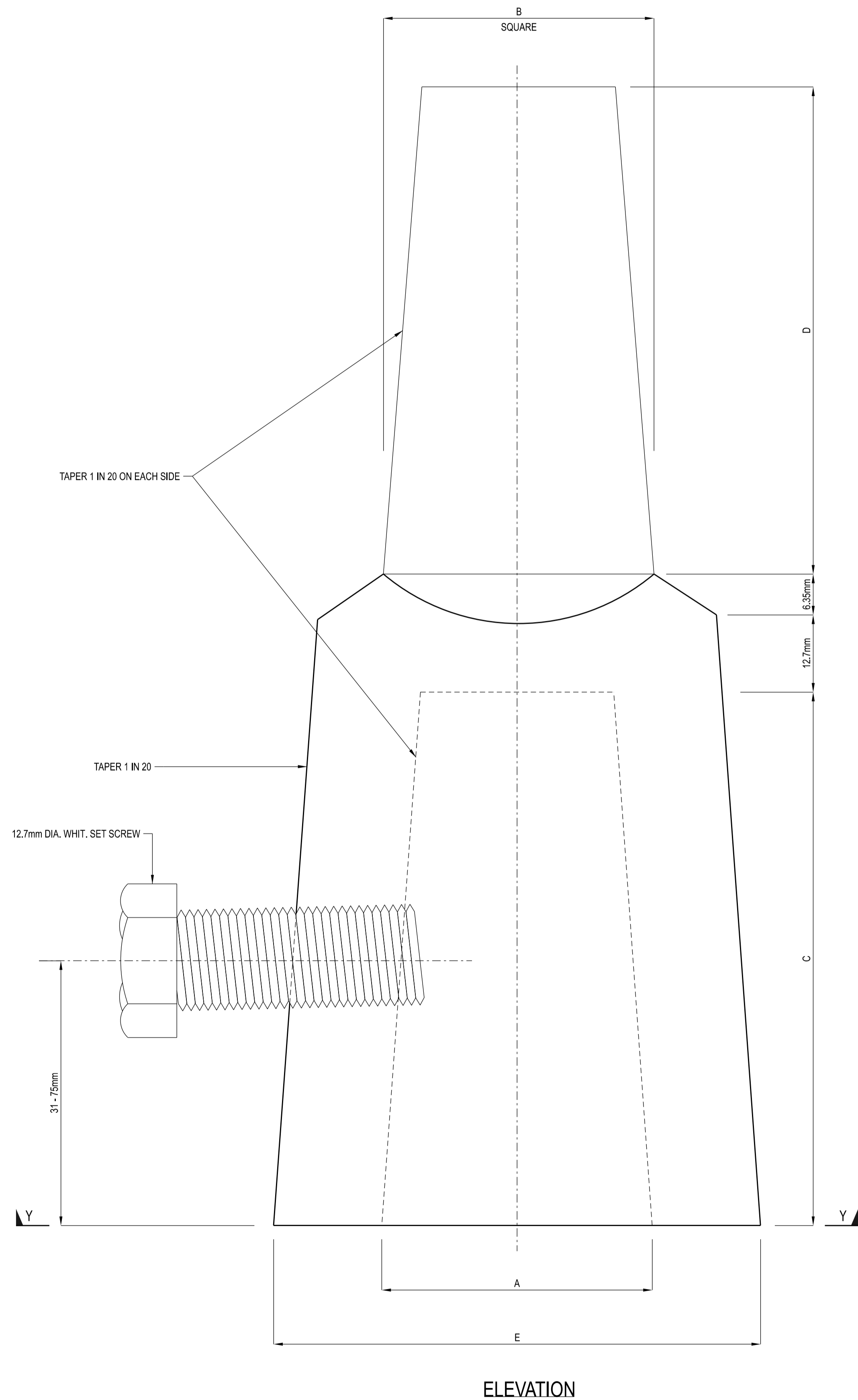


NOTE:
ALL DIMENSIONS ARE SHOWN IN MILLIMETRES UNLESS OTHERWISE STATED.



NOMINAL SIZE OF VALVE	A	B	C	D	E
100 & 150	28.60	34.95	50.80	63.50	69.85
200 & 300	31.95	34.95	57.15	66.70	78.20
400, 500, 600 & 700	50.80	44.45	101.60	101.60	95.25
800 & 900	57.15	57.15	101.60	101.60	101.95

DETAILS OF SPINDLE CAPS

DRAWING NO.: PUB/WSN/STD/306			
REV.	DATE	SCALE: NTS	REV.: -

SPINDLE CAP FOR SLUICE VALVES