

NOMINAL DIAMETER (mm)	DIMENSIONS (mm)		
	A	B	C
100	300	500	400
150	500	700	600
200	700	900	800
300	900	1100	1000
500	1200	1600	1100

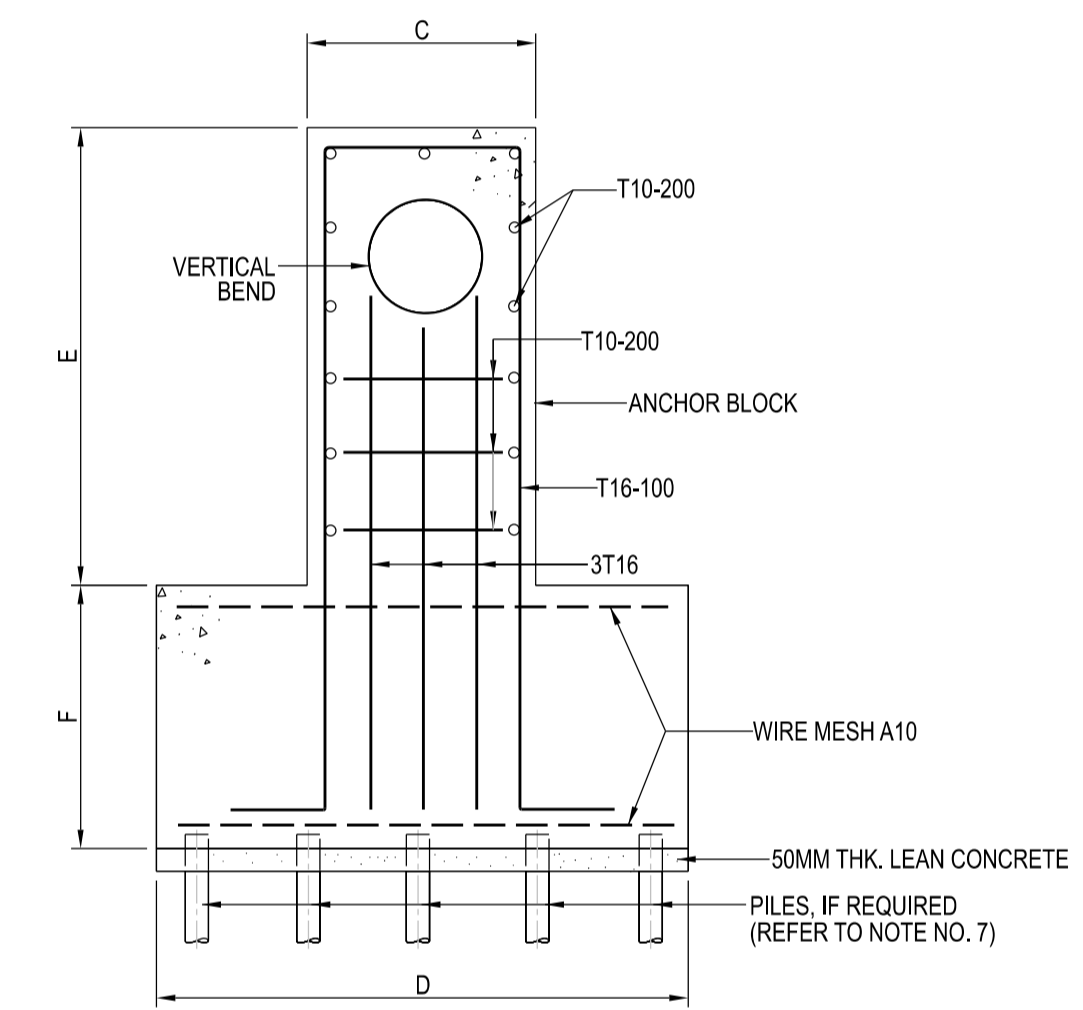
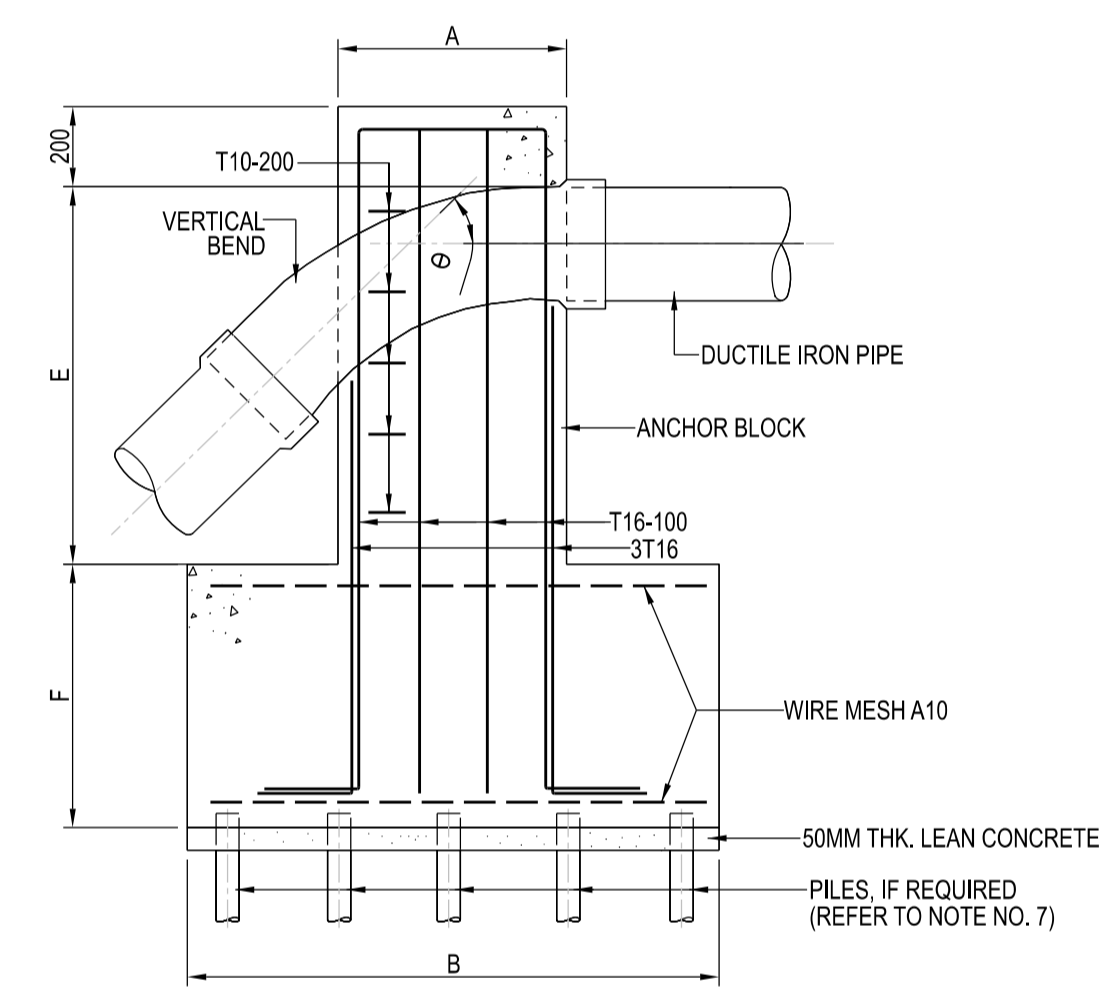
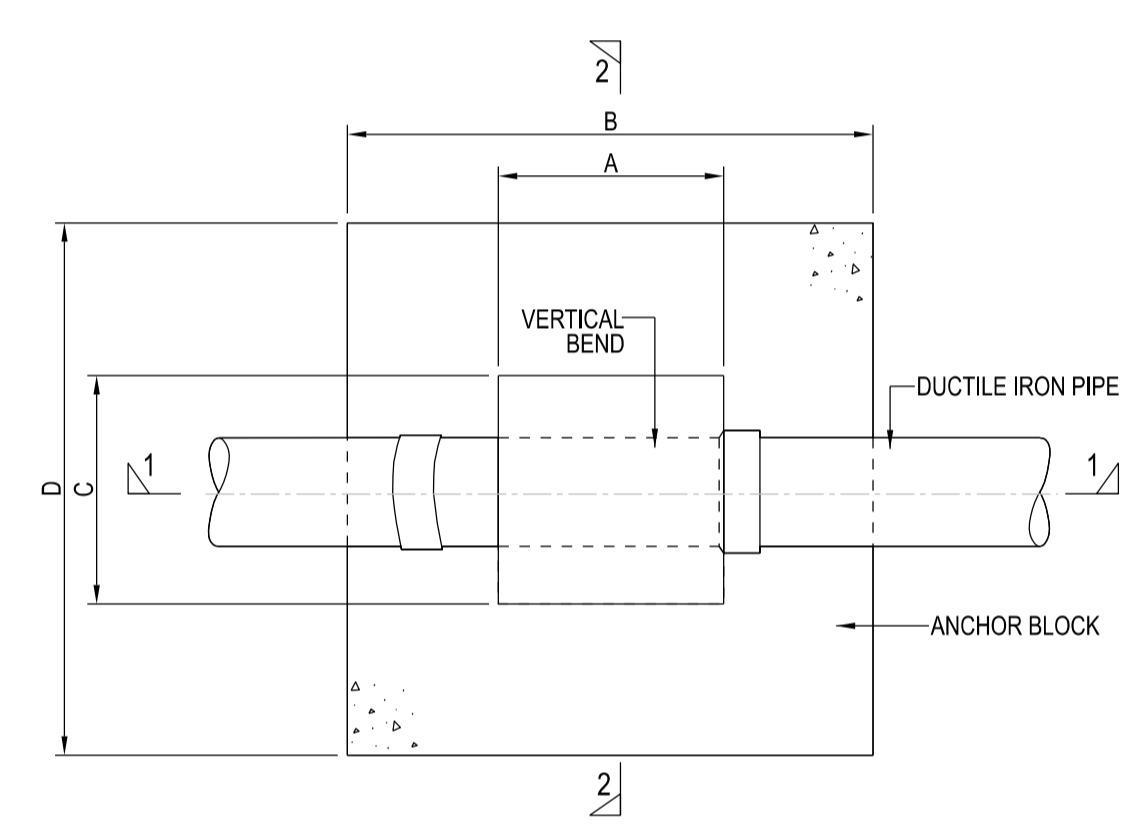
PLAN

ELEVATION

CONCRETE PAD FOR VERTICAL BEND 11¼°, 22½° & 45°

- NOTES:
 A. THE USE OF 90° SPIGOT SOCKET BEND IS NOT PERMITTED.
 B. IF 90° SPIGOT SOCKET BEND IS REQUIRED DUE TO SITE CONDITIONS OR CONSTRAINTS, APPROVAL SHALL BE SOUGHT FROM PUB BEFORE THE INSTALLATION OF BEND.

- NOTES:
 1. ALL DIMENSIONS ARE IN MILLIMETRES UNLESS OTHERWISE STATED.
 2. REFER TO THE GENERAL NOTES IN DRAWING NO: PUB/WSN/GN/001.
 3. THIS DRAWING APPLIES TO CONCRETE PAD, THRUST AND ANCHOR BLOCKS FOR DUCTILE IRON BENDS FROM 100MM TO 500MM.
 4. ALL PIPE FITTINGS SHALL BE PROVIDED WITH EITHER MECHANICAL RESTRAINT TYPE JOINTS OR FLANGED JOINTS. BOLTED COLLARS SHALL BE PROVIDED AT CUT SECTIONS
 5. ALL CONCRETE PAD, THRUST AND ANCHOR BLOCKS SHALL BE OF GRADE C40/50.
 6. GROUND SHALL BE COMPACTED BEFORE PLACING 50MM THK LEAN CONCRETE.
 7. ALL PILING WORKS SHALL BE DESIGNED BY A PROFESSIONAL ENGINEER (P.E) ENGAGED BY THE CONTRACTOR AND SUBMITTED TO SUPERINTENDING OFFICER (S.O) FOR APPROVAL.



NOMINAL DIAMETER (mm)	DIMENSIONS (mm)					
	A	B	C	D	E	F
100	300	1000	300	1000	800	500
150	300	1000	300	1000	800	500
200	400	1200	400	1200	1000	600
300	600	1400	600	1400	1200	700
500	800	1600	800	1800	1700	1200

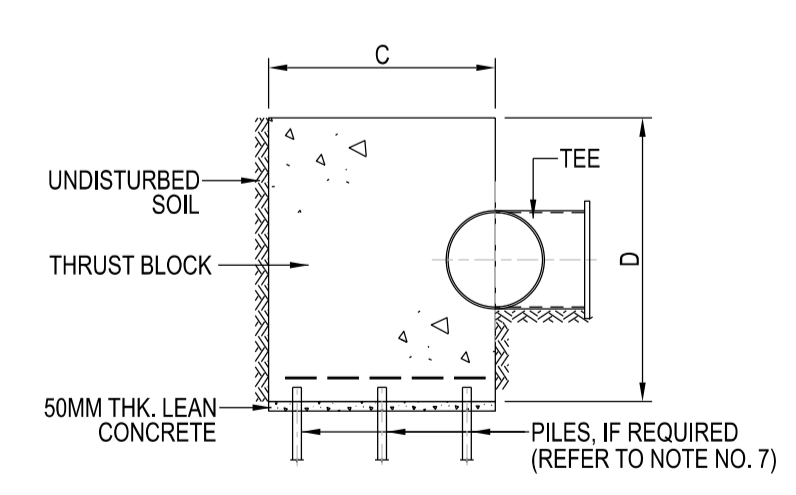
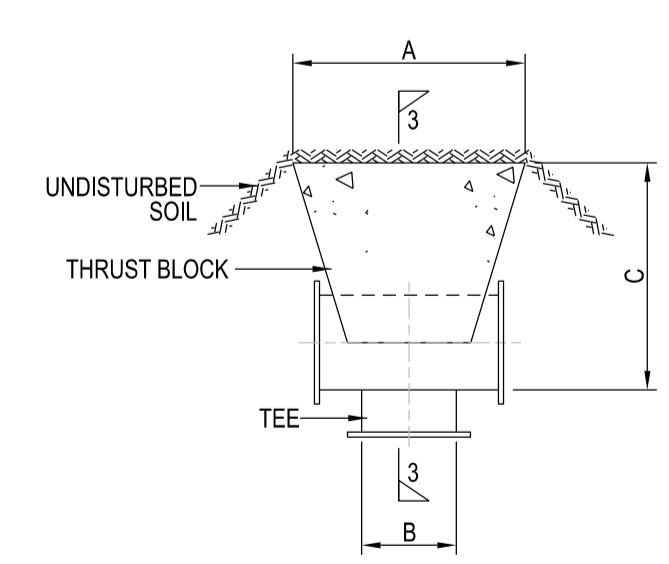
PLAN

SECTION 1 - 1

SECTION 2 - 2

ANCHOR BLOCK FOR VERTICAL BEND 11¼°, 22½° & 45°

- NOTES:
 A. THE USE OF 90° SPIGOT SOCKET BEND IS NOT PERMITTED.
 B. IF 90° SPIGOT SOCKET BEND IS REQUIRED DUE TO SITE CONDITIONS OR CONSTRAINTS, APPROVAL SHALL BE SOUGHT FROM PUB BEFORE THE INSTALLATION OF BEND.

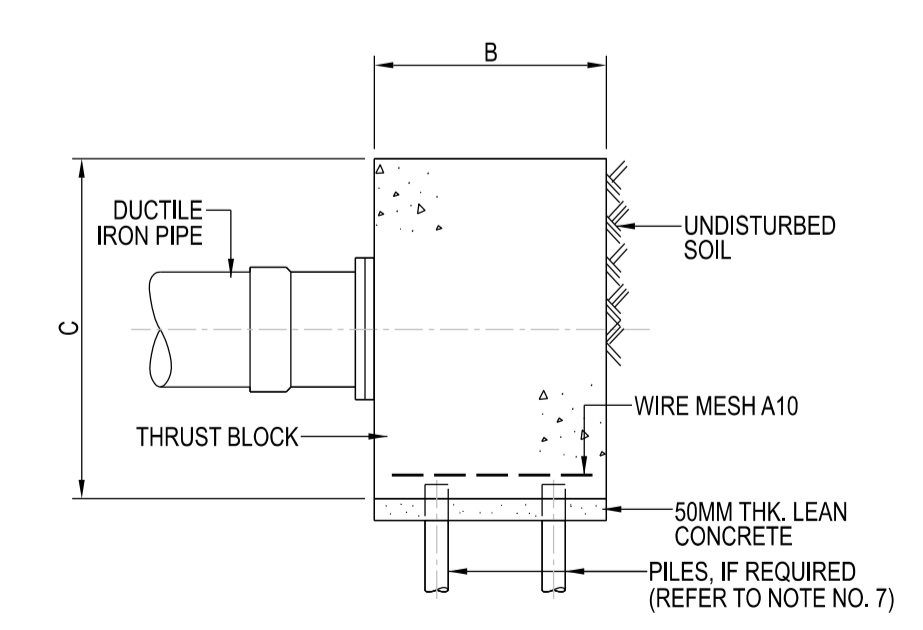
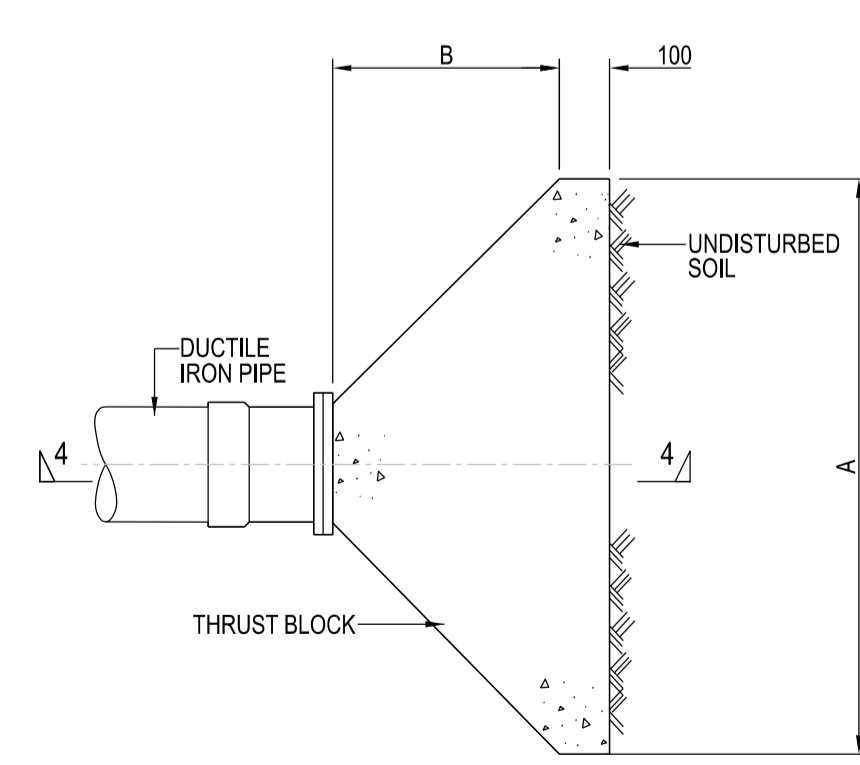


NOMINAL DIAMETER (mm)	DIMENSIONS (mm)			
	A	B	C	D
100x100	300	150	300	400
150x100	500	300	400	500
150x150	500	300	400	500
200x100	600	400	400	700
200x150	600	400	400	700
200x200	600	400	400	700
300x100	1100	500	500	800
300x150	1100	500	500	800
300x200	1100	500	500	800
300x300	1100	500	500	800
500x100	1700	600	1000	1200
500x150	1700	600	1000	1200
500x200	1700	600	1000	1200
500x300	1700	600	1000	1200
500x500	1700	600	1000	1200

PLAN

SECTION 3 - 3

THRUST BLOCK FOR TEE



NOMINAL DIAMETER (mm)	DIMENSIONS (mm)		
	A	B	C
100	600	200	300
150	800	300	500
200	1000	400	700
300	1500	600	900
500	1600	1200	1600

PLAN

SECTION 4 - 4

THRUST BLOCK FOR FLANGED END

DRAWING NO.:	PUB/WSN/STD/302
DATE OF ISSUE:	DEC 2022
SCALE:	NTS
REV.:	-

CONCRETE PADS, THRUST AND ANCHOR BLOCKS FOR DUCTILE IRON PIPELINE