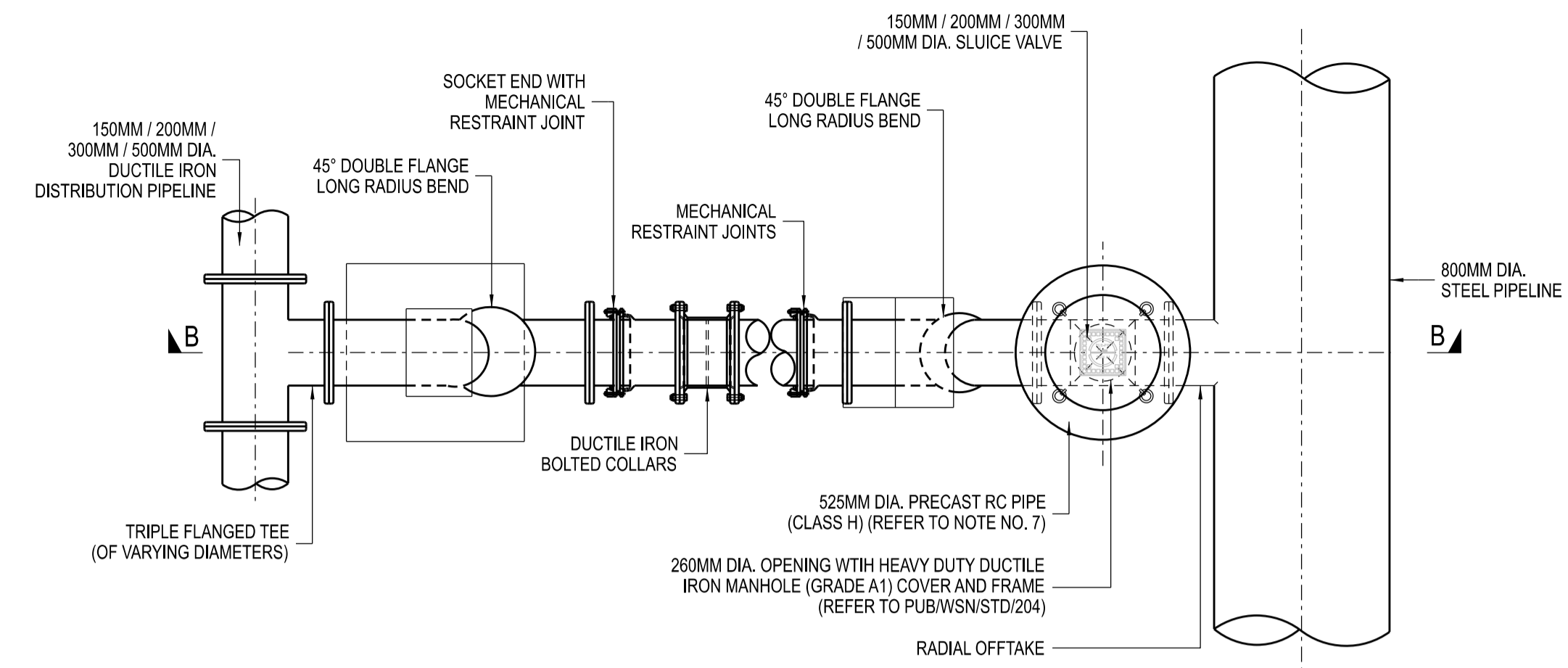
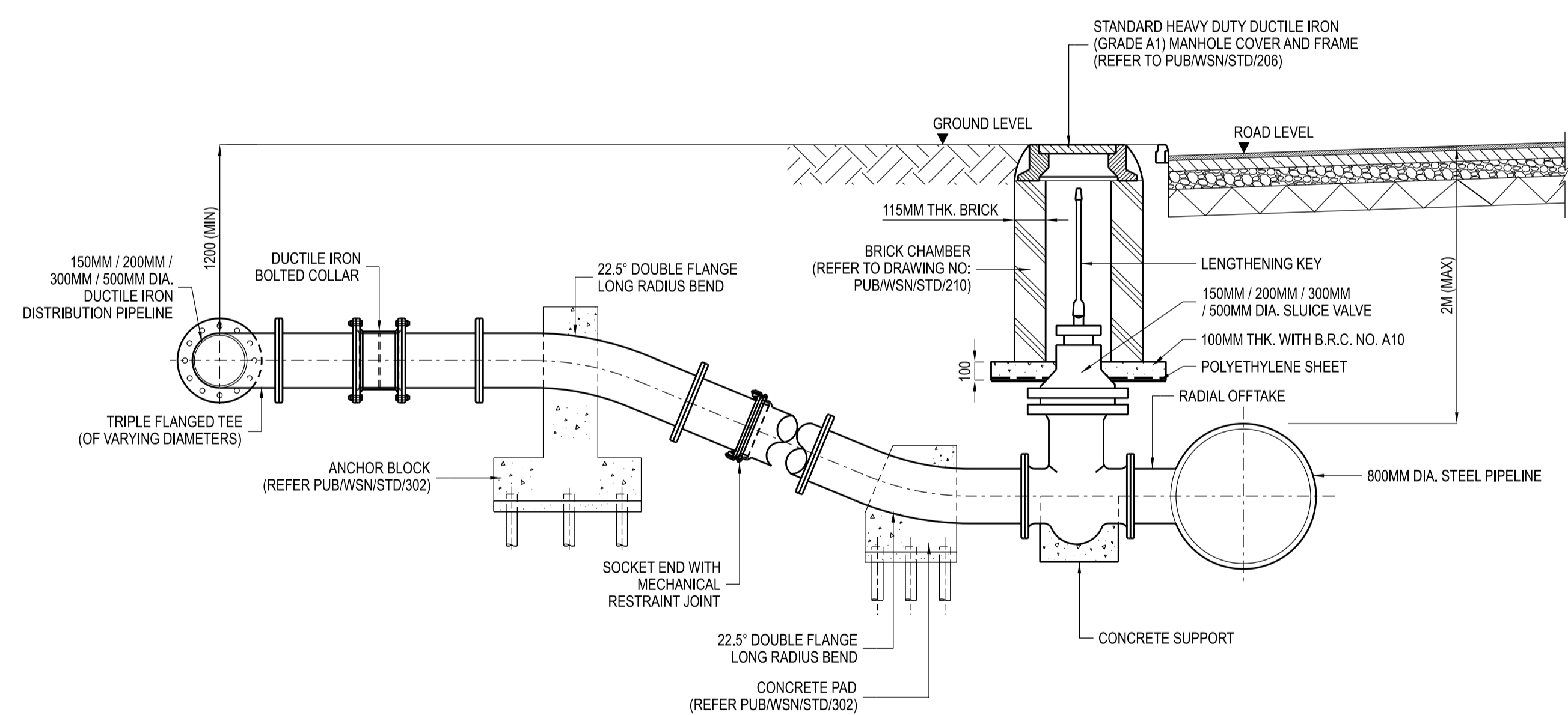


PLAN VIEW



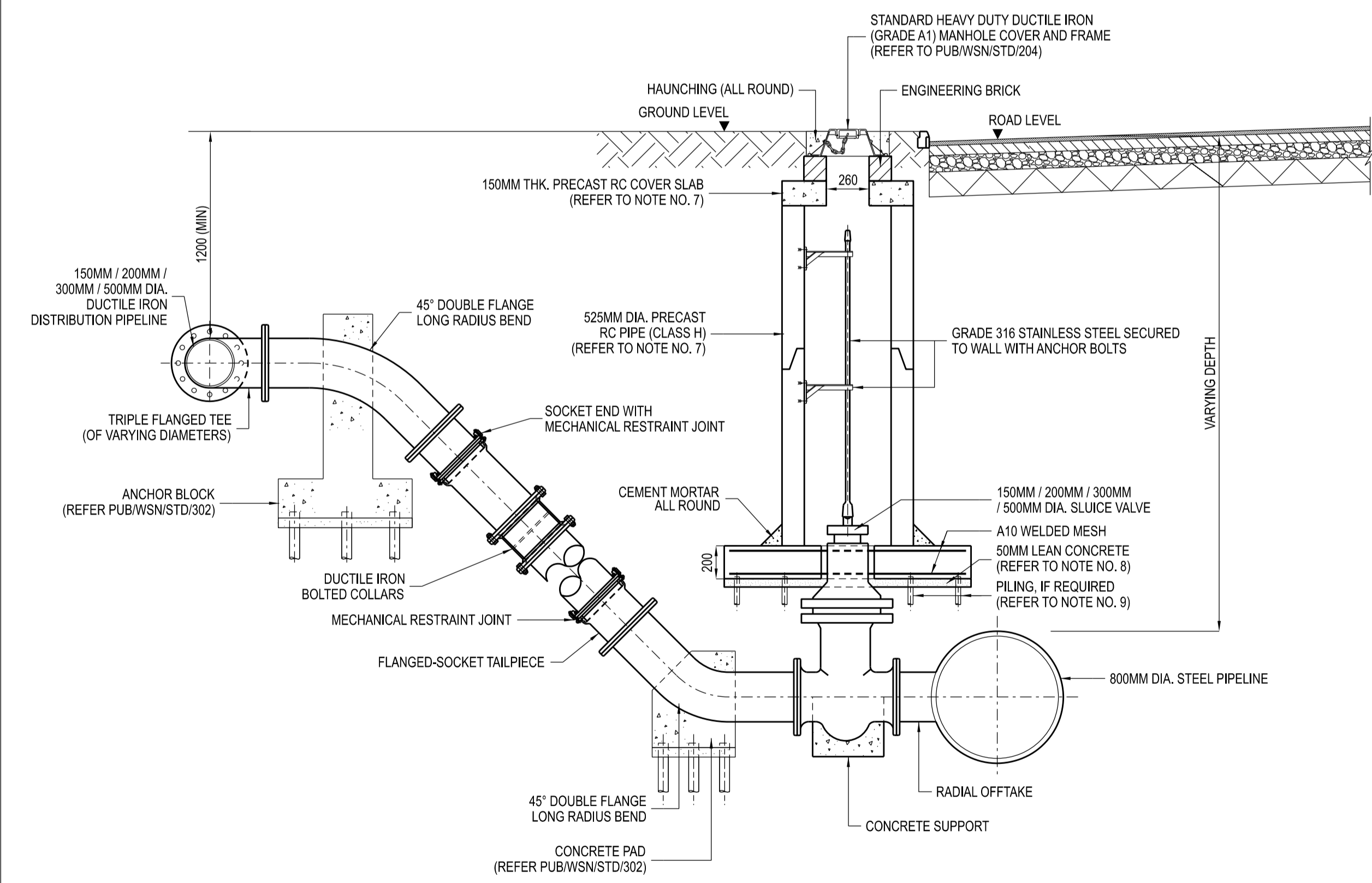
PLAN VIEW

- NOTES:
- REFER TO THE GENERAL NOTES IN DRAWING NO: PUB/WSN/GN/001.
 - THIS DRAWING APPLIES TO DUCTILE IRON CONNECTIONS (150MM - 500MM DIAMETER) TO STEEL DISTRIBUTION PIPES.
 - ALL PIPE FITTINGS SHALL BE EITHER WITH MECHANICAL RESTRAINT TYPE JOINTS OR FLANGED JOINTS.
 - FOR LONG LENGTHS OF CONNECTING PIPE, BOLTED COLLAR JOINTS SHALL BE PROVIDED AT THE CUT SECTIONS.
 - PLEASE REFER TO STANDARD DRAWING PUB/WSN/STD/302 FOR DETAILS OF CONCRETE PADS, THRUST AND ANCHOR BLOCKS TO BE INSTALLED AT THE BENDS AND TEE.
 - ALL CONCRETE PAD, THRUST AND ANCHOR BLOCK SHALL BE GRADE C40/50.
 - CONCRETE GRADE FOR PRECAST CHAMBER AND COVER SLAB SHALL BE C40/50.
 - GROUND SHALL BE COMPACTED BEFORE PLACING 50MM LEAN CONCRETE.
 - THE CONTRACTOR SHALL UNDERTAKE PLATE LOAD TESTS TO VERIFY THE IN-SITU SOIL BEARING CAPACITY IN ACCORDANCE WITH BS EN ISO 22476-13. WHERE THE BEARING CAPACITY IS DEEMED INADEQUATE AND/OR SETTLEMENT IS EXCESSIVE, THE CHAMBER SHALL BE SUPPORTED ON PILES.
 - LENGTHENING KEYS FOR ALL VALVES SHALL EXTEND WITHIN 150MM BELOW THE SOFFIT OF THE PRECAST COVER SLAB.
 - THE CONSULTANT'S P.E. SHALL UNDERTAKE THE DETAILED DESIGN OF THE CHAMBER AND SUBMIT (TOGETHER WITH THE ACCREDITED CHECKER APPOINTED BY THE BOARD) TO SUPERINTENDING OFFICER (S.O) AND BCA FOR APPROVAL.



SECTION A - A

FOR 800MM DIA. STEEL PIPELINE UP TO 2M BELOW GROUND



SECTION B - B

FOR 800MM DIA. STEEL PIPELINE EXCEEDING 2M DEPTH BELOW GROUND

NOTE: CONNECTION BETWEEN PIPES SHALL BE CARRIED AT SHALLOW DEPTH, WHEREVER POSSIBLE

DRAWING NO.: PUB/WSN/STD/217	
DATE OF ISSUE: DEC 2022	SCALE: 1:25
REV.	DATE

CONNECTION OF 800MM DIA. STEEL PIPELINE TO 100MM - 500MM DIA. DISTRIBUTION PIPELINES